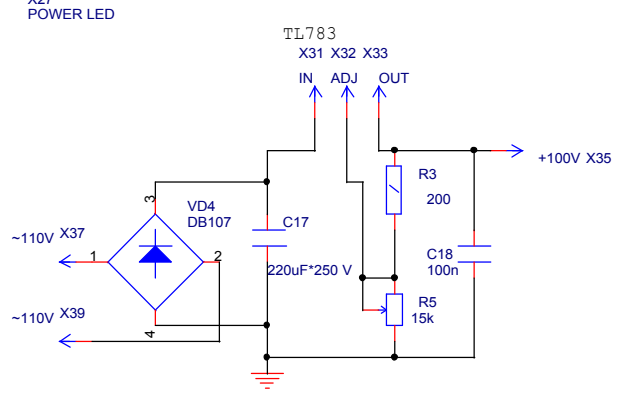
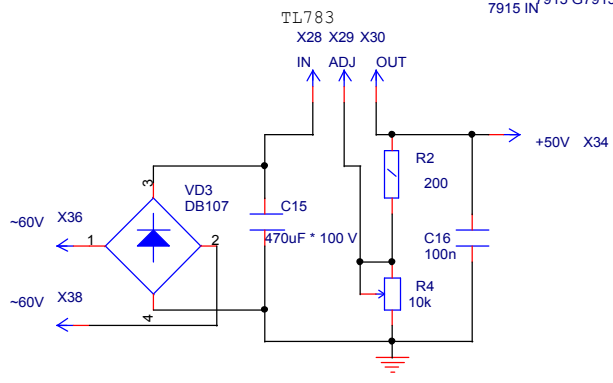
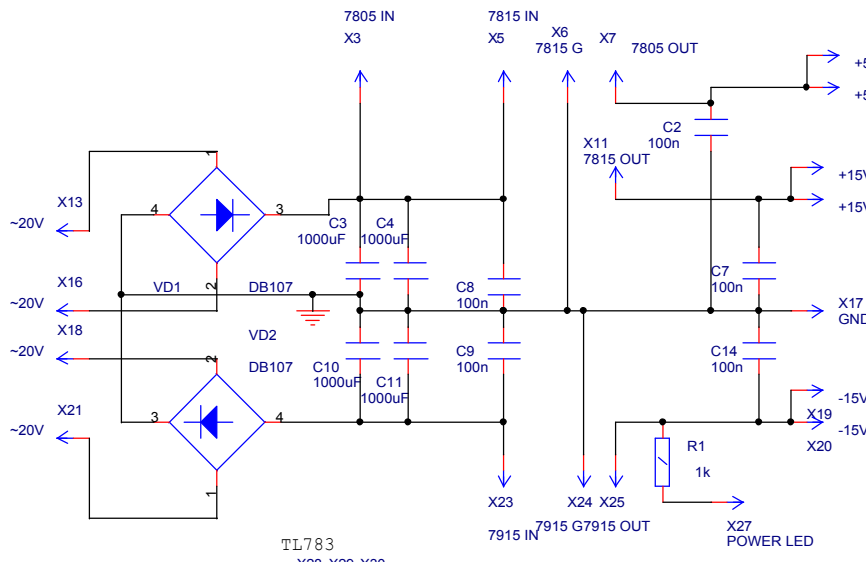
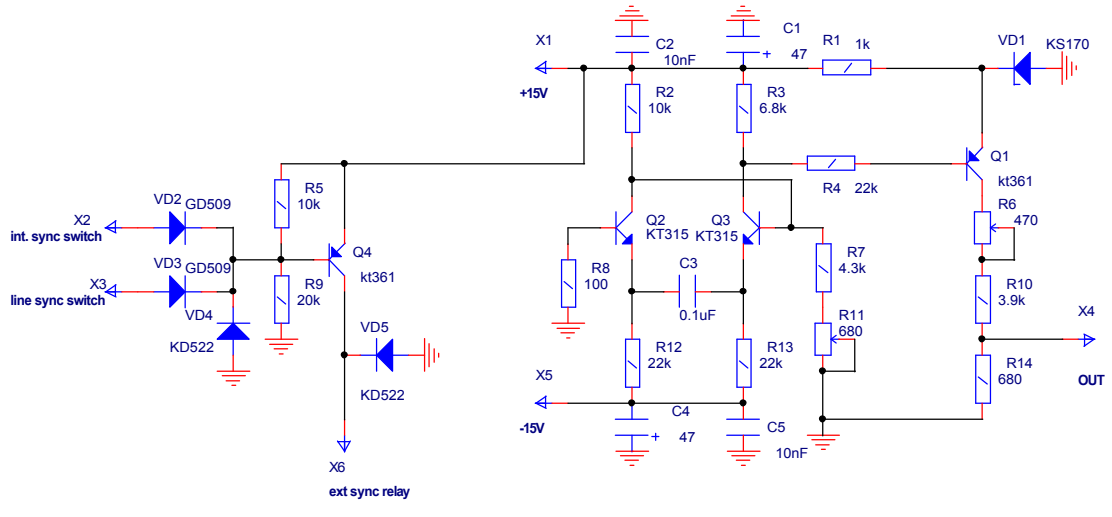


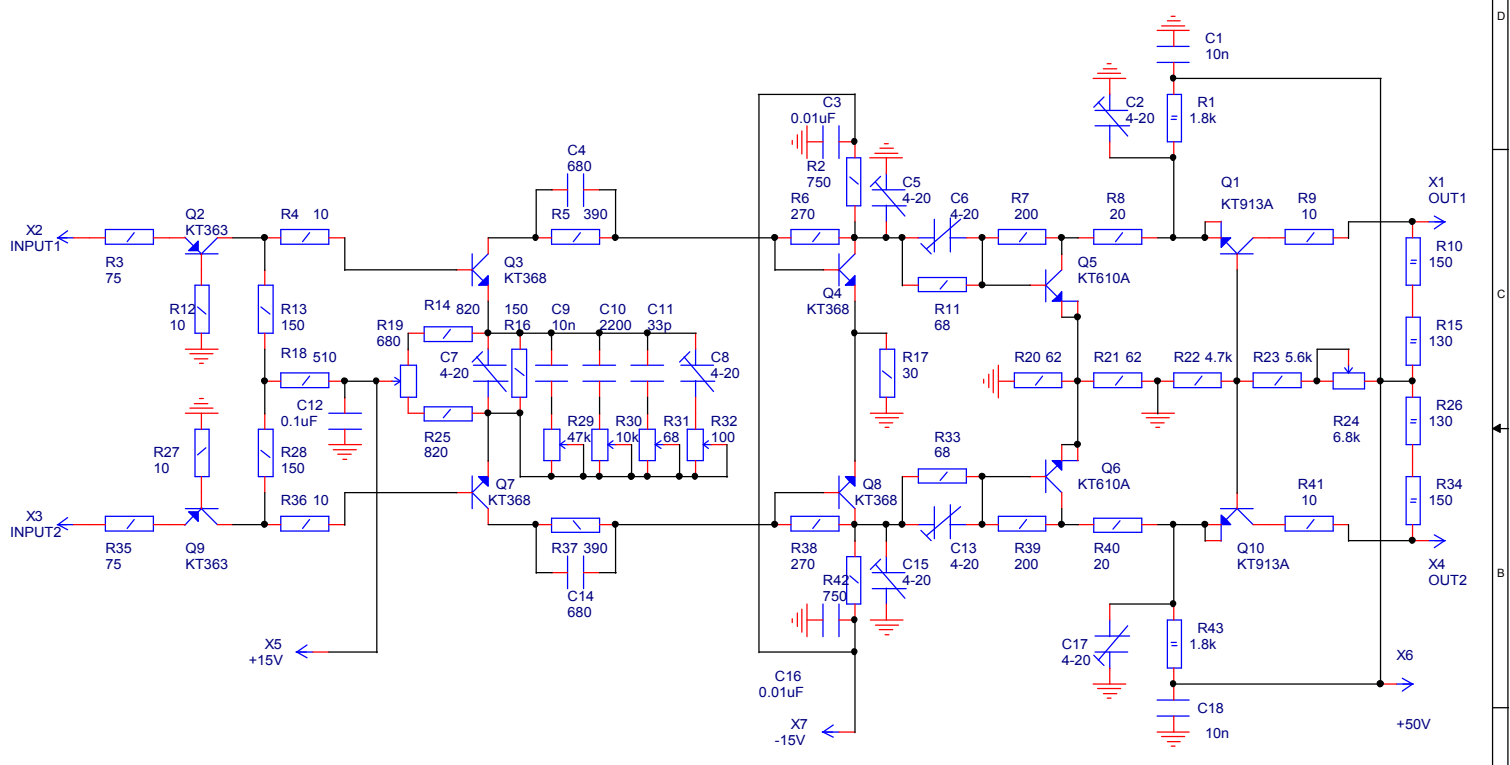
Title		
Усилитель горизонтального отклонения		
Size	Document Number	Rev
A	<Doc>	
Date:	Thursday, October 21, 2021	Sheet 1 of 6



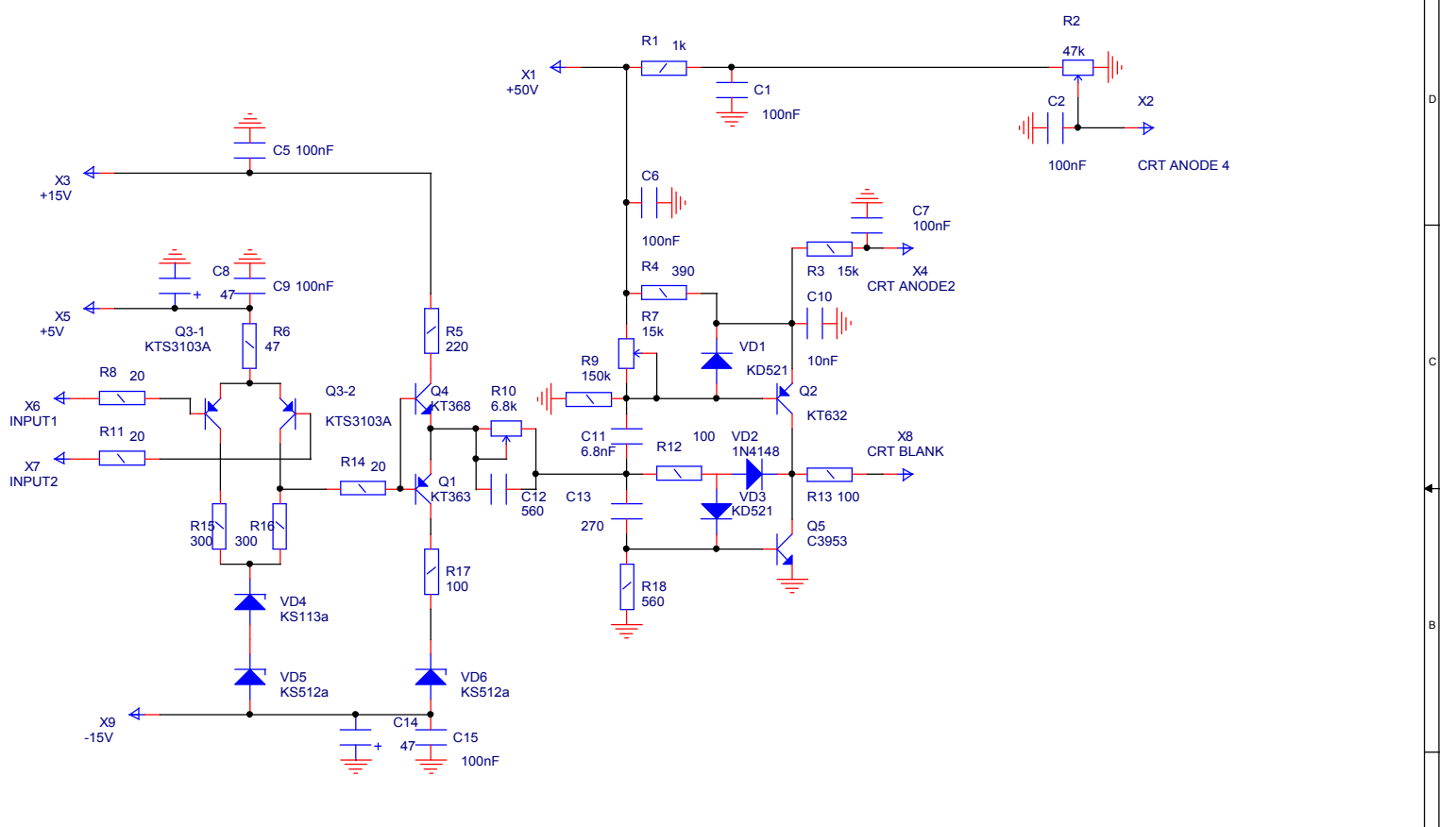
Title		
Блок питания низковольтный		
Size	Document Number	Rev
A	<Doc>	<RevCode>
Date:	Thursday, November 04, 2021	Sheet 1 of 8



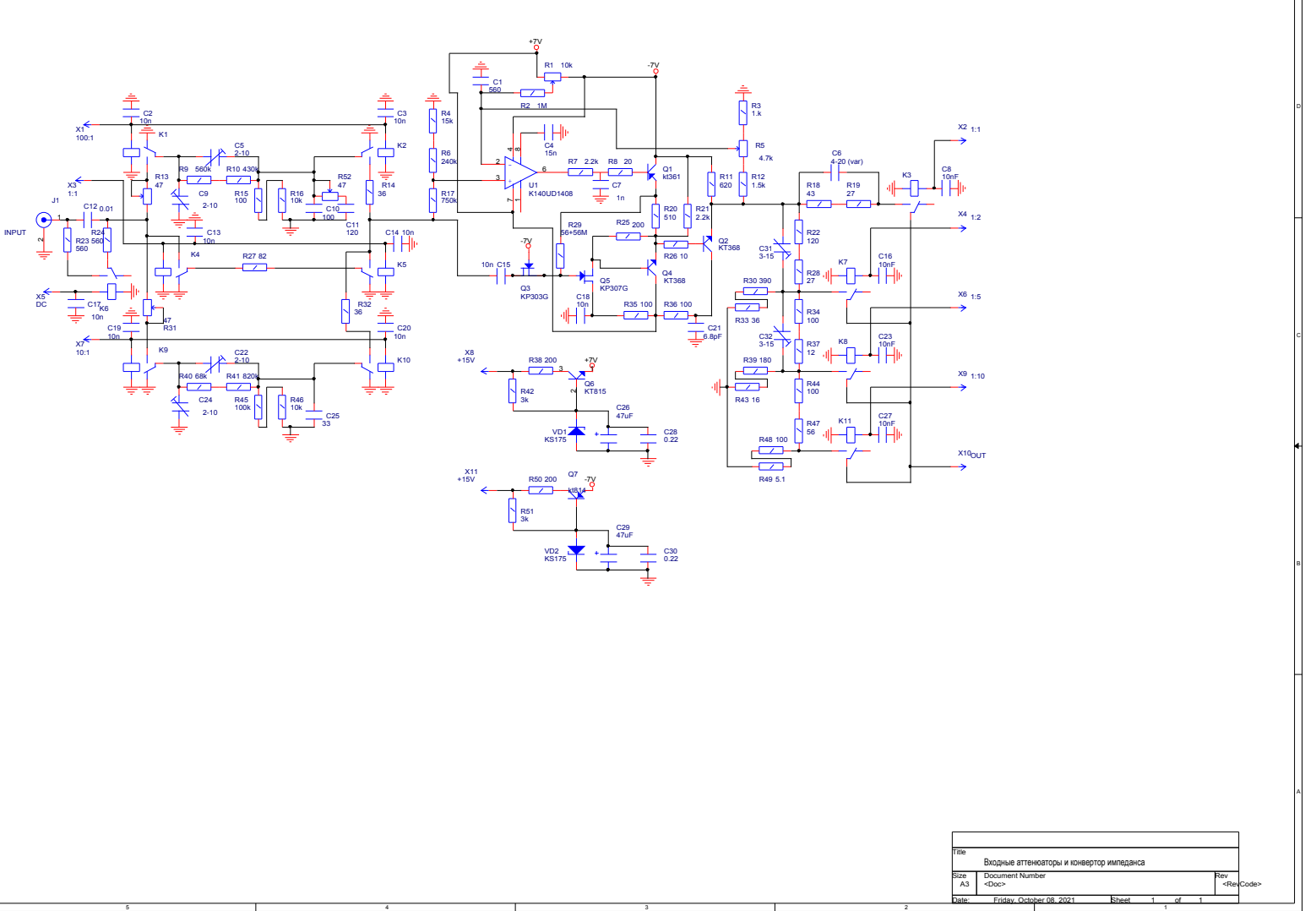
Title		
<Title>		
Size	Document Number	Rev
A	<Doc>	<RevCode>
Date:	Monday, October 25, 2021	Sheet 1 of 10
	2	1



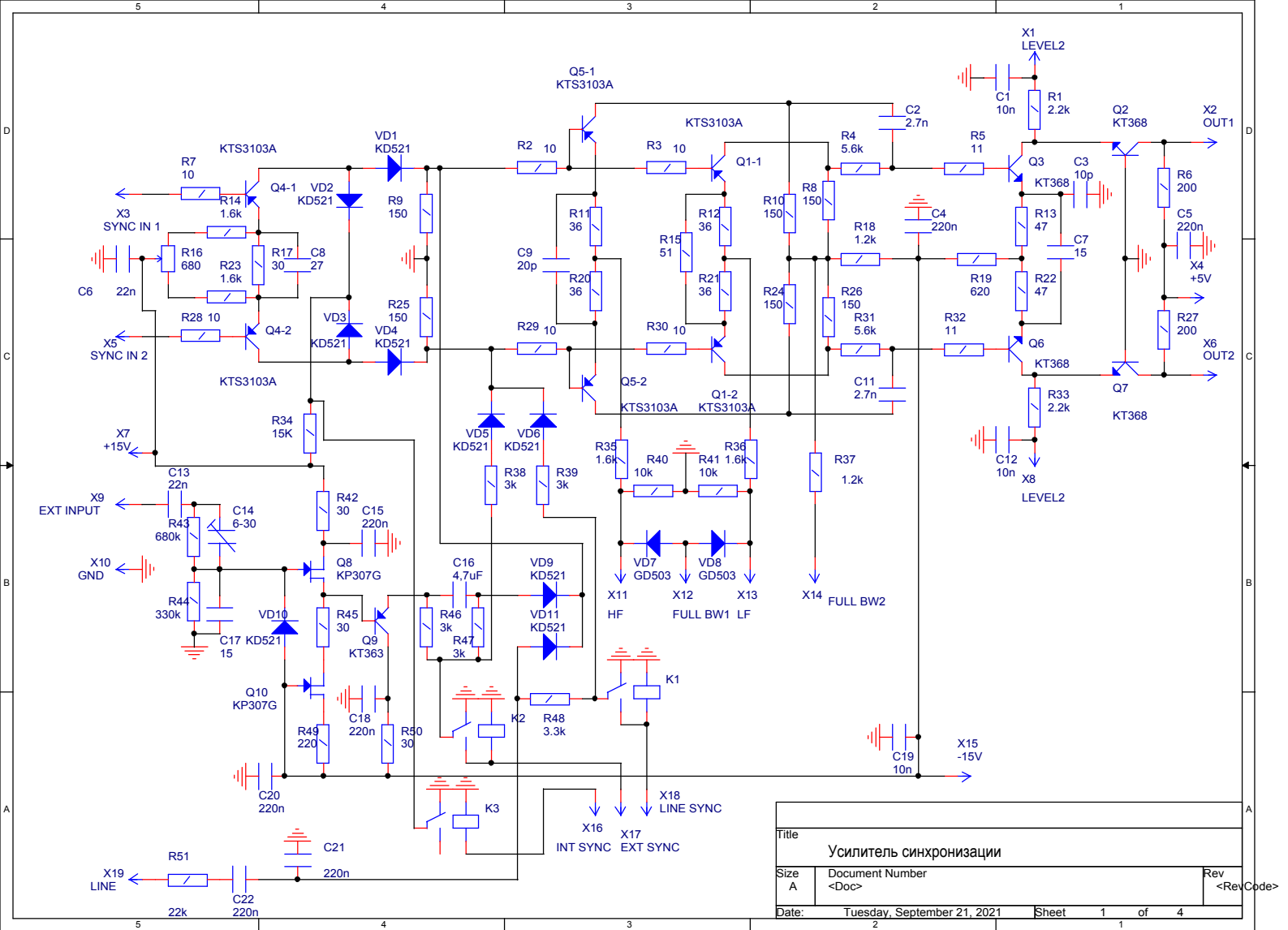
Title		
УВО оконечный		
Size	Document Number	Rev
A	<Doc>	<RevCode>
Date:	Monday, November 01, 2021	Sheet 1 of 3



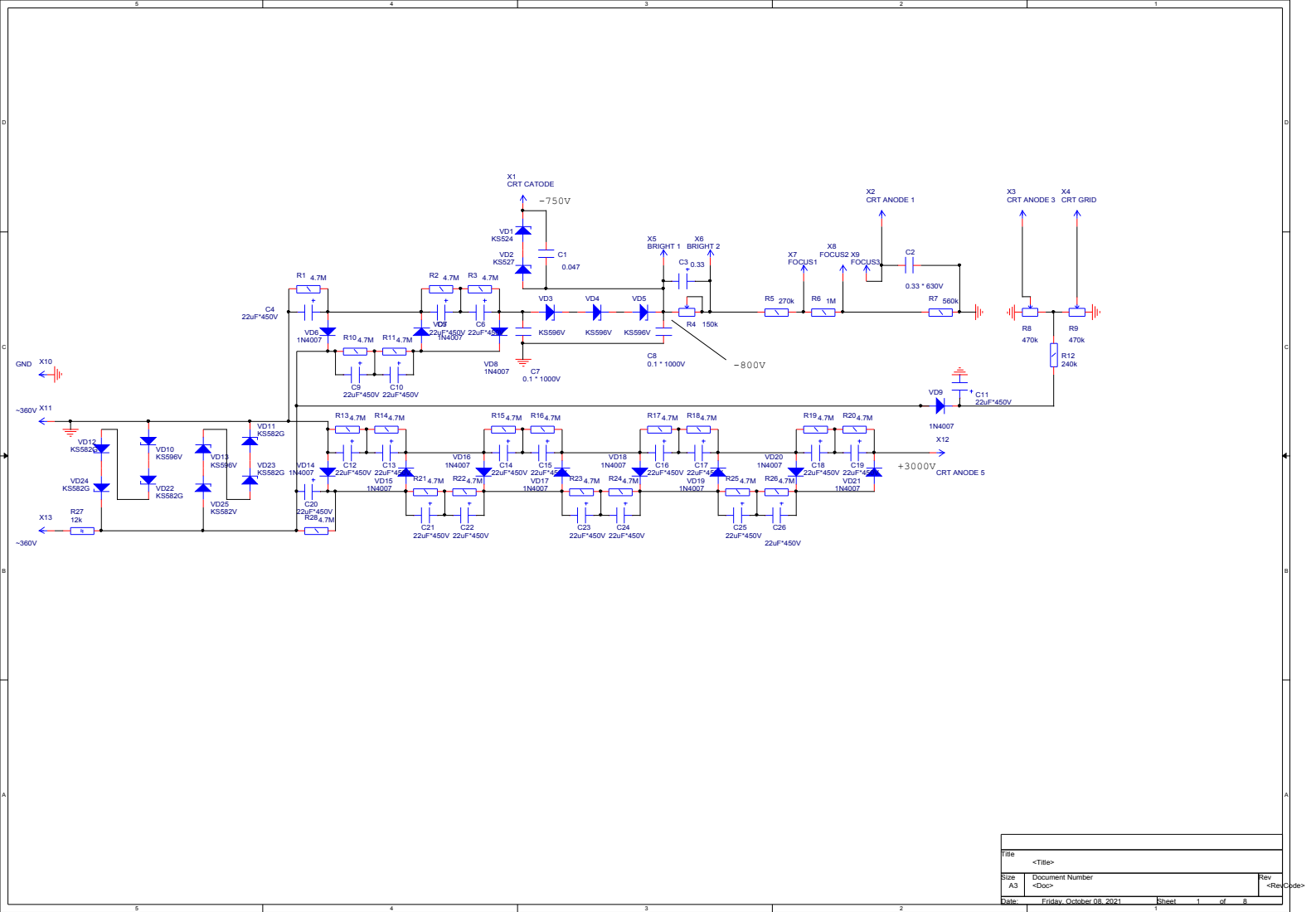
Title		
Усилитель бланкирования		
Size	Document Number	Rev
A	<Doc>	<RevCode>
Date:	Tuesday, October 12, 2021	Sheet 1 of 9



Title	Входные аттенюаторы и конвертор импеданса		
Size	Document Number	Rev	<Rev Code>
A3			
Date	Friday, October 08, 2021	Sheet	1 of 1



Title		
Усилитель синхронизации		
Size	Document Number	Rev
A	<Doc>	<RevCode>
Date:	Tuesday, September 21, 2021	Sheet 1 of 4



File	<Title>	Rev
Size	Document Number	<Rev>
A3	<Doc>	<Rev>
Date	Friday, October 08, 2021	Sheet 1 of 8