

BK PRECISION®

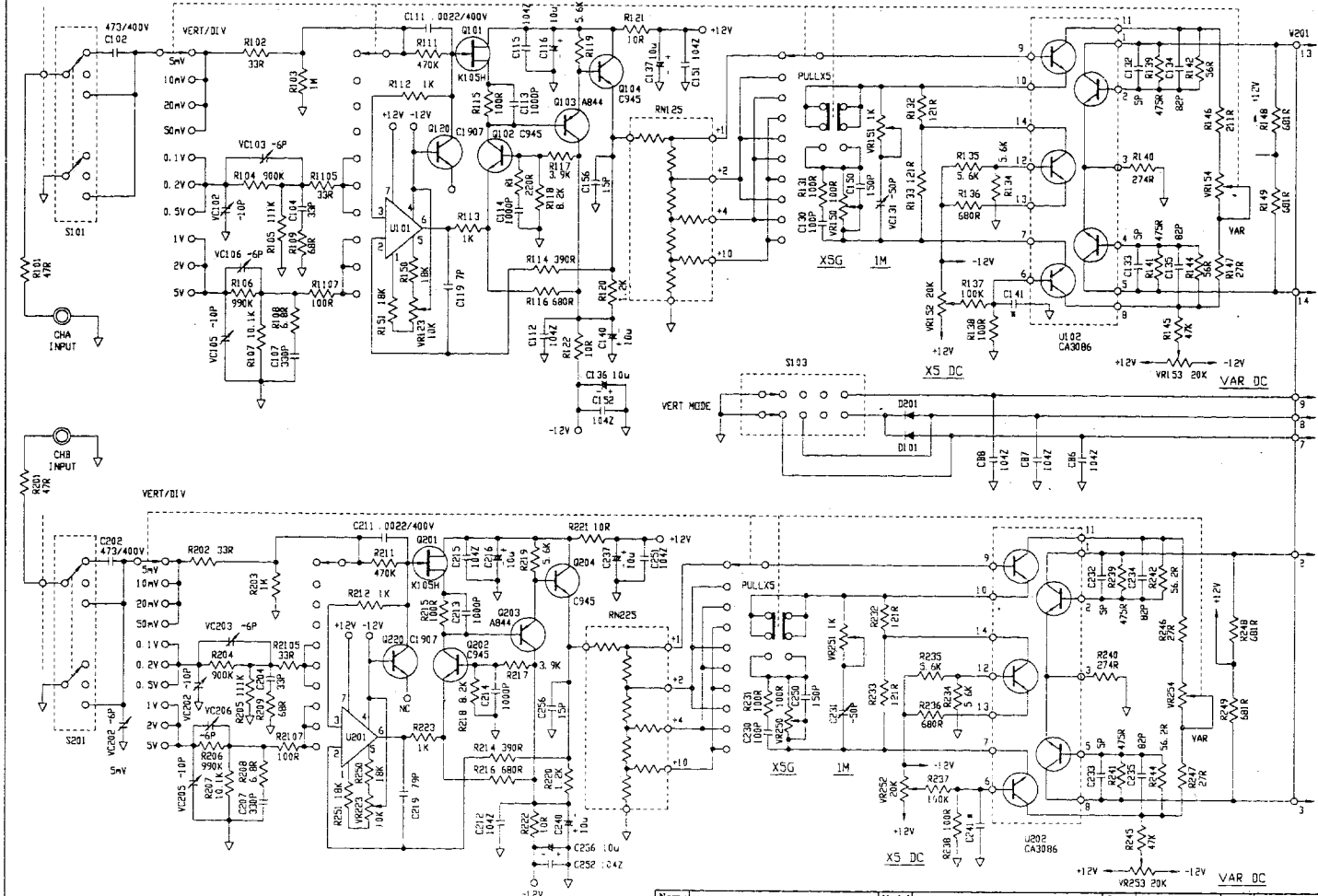
2120B

2125A

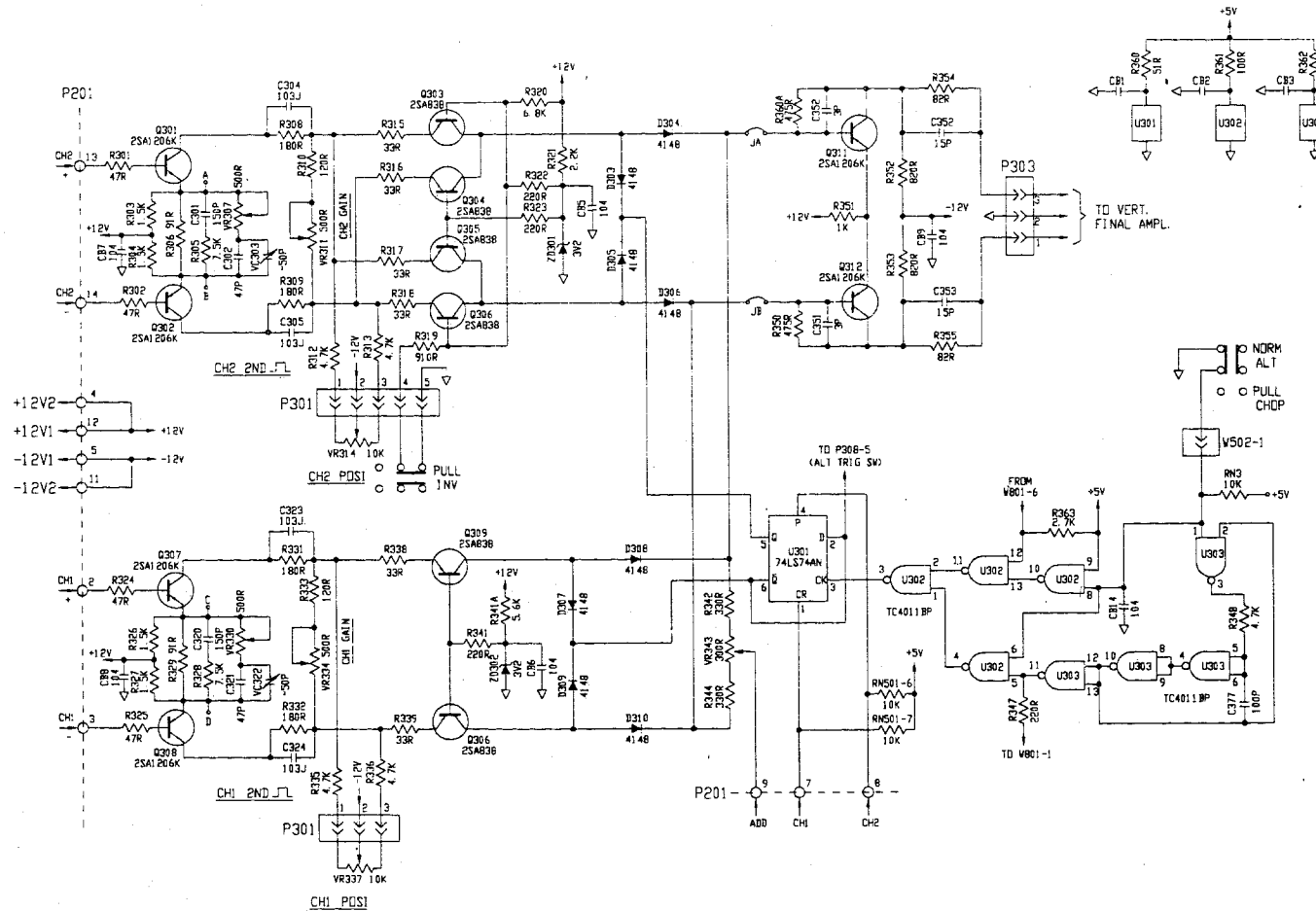
1541D

2160A

SCHEMATIC DIAGRAM



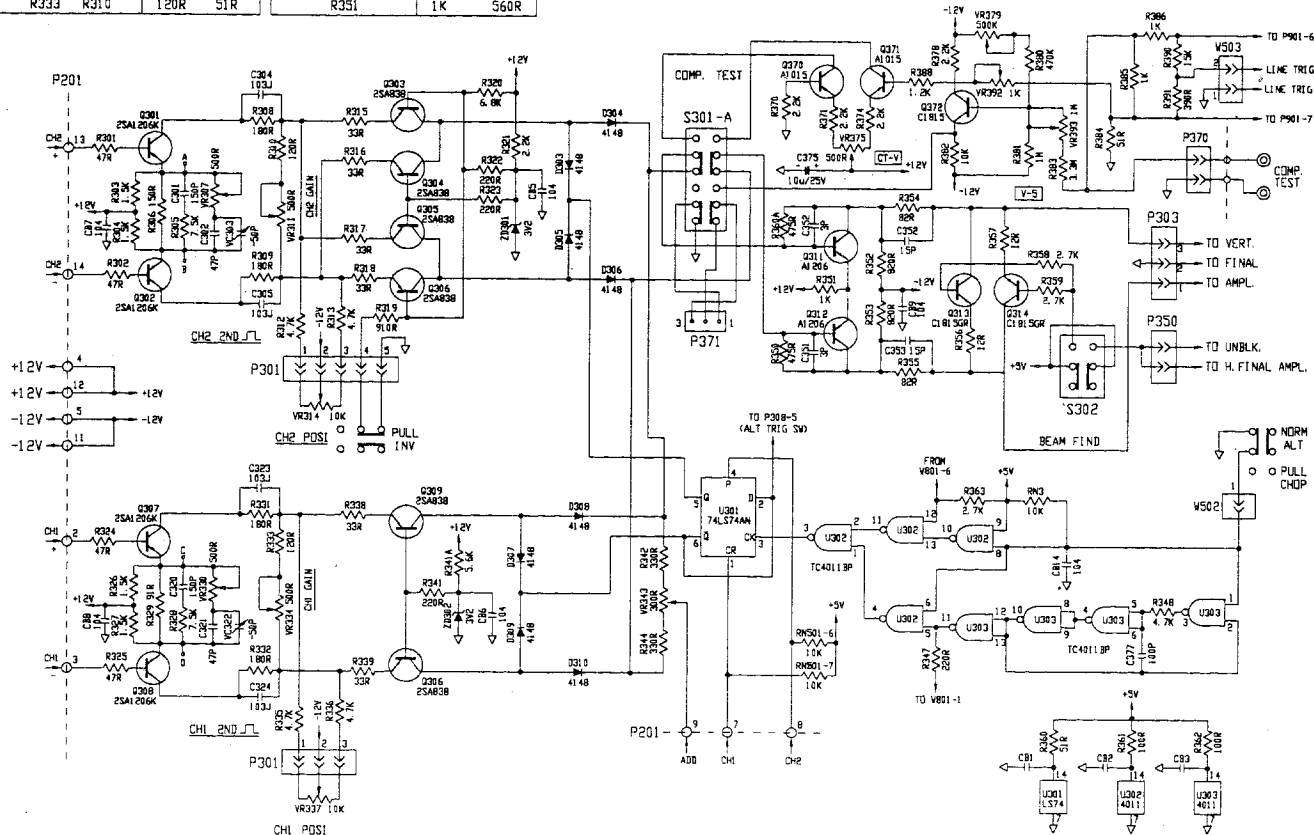
Name	Model	Data	Dwg No.	PK-041P
B+K 2120B/2125A/1B41D	VERT PER-AMPL CIRCUIT	27-08-97		



Name	Model	Date	Dwg No.
B+K 2120B/1541D	VERT MID AMPL CIRCUIT	28-09-97	PK-044V0

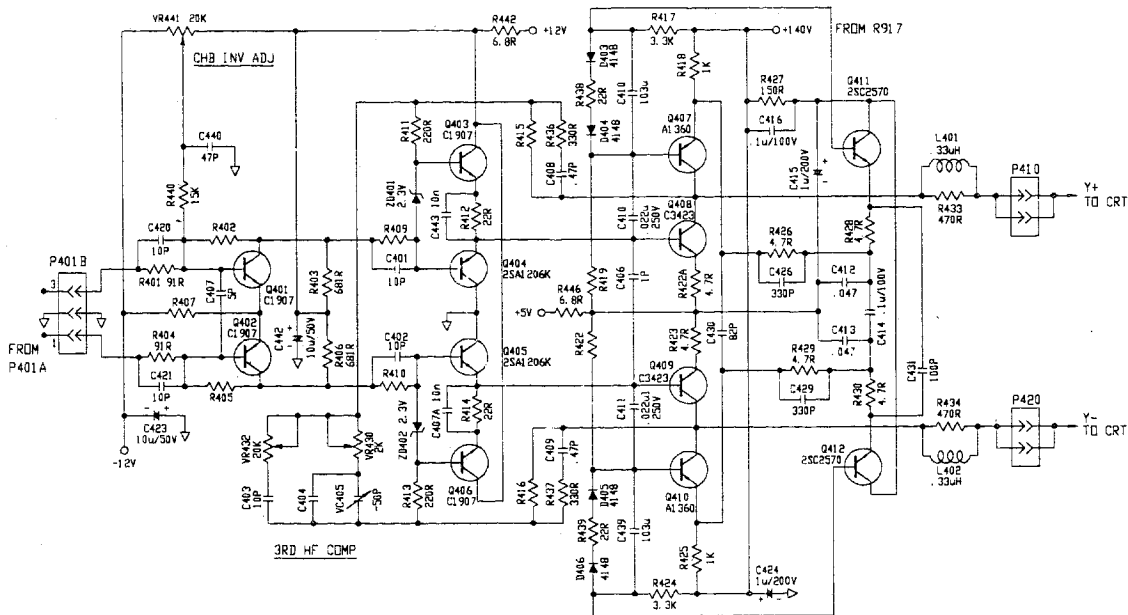
COMP.	205	605
C320 C301	150P	68P
R329 R306	91R	150R
VR330 VR307	500R	500R
C321 C302	47P	22P
R333 R310	120R	51R

COMP.	205	605
VR334 VR311	500R	500R
R335 R336 R312 R313	4.7K	4.7K
R388	1.2K	1.2K
R383	3.3M	3.3M
R351	1K	560R

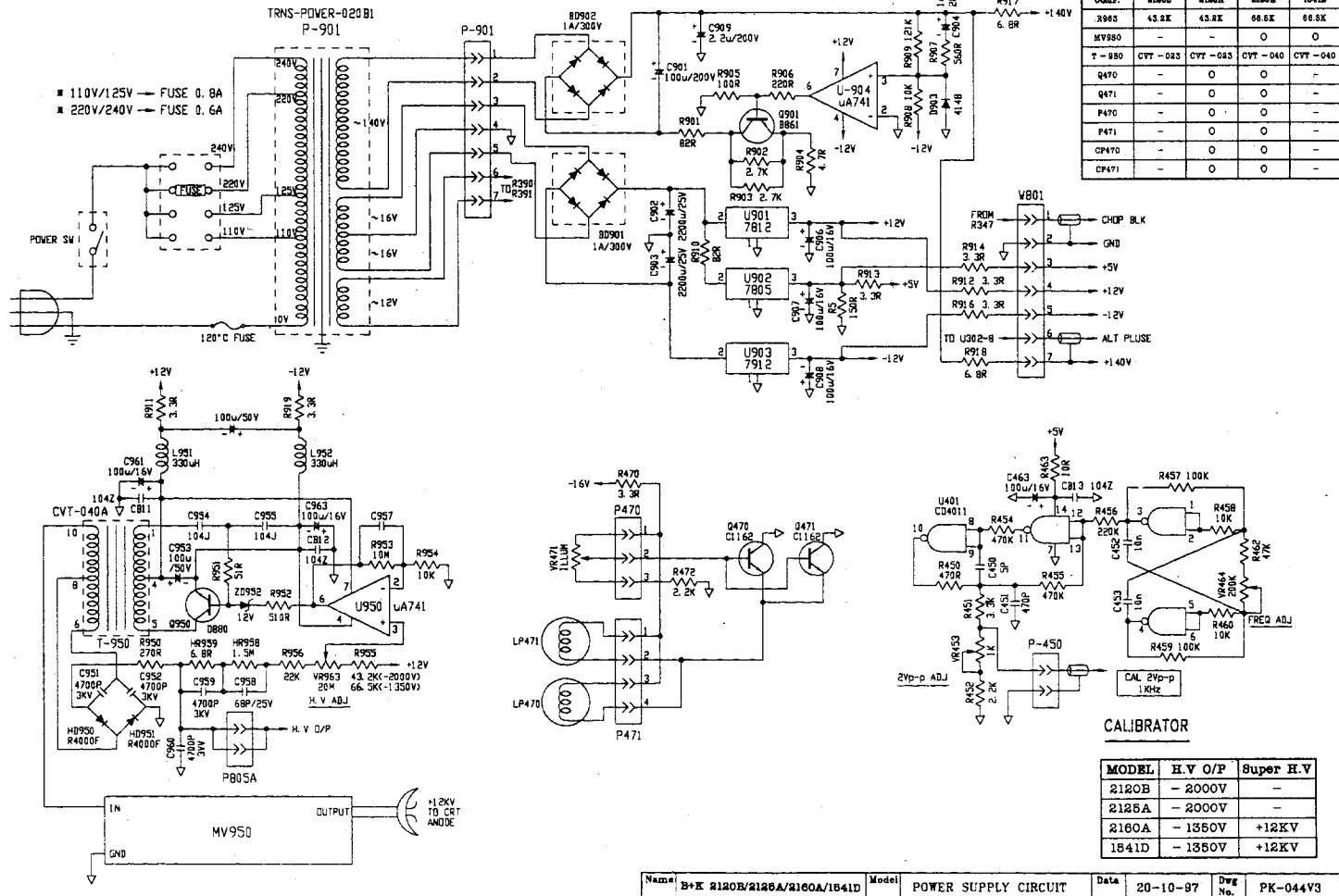


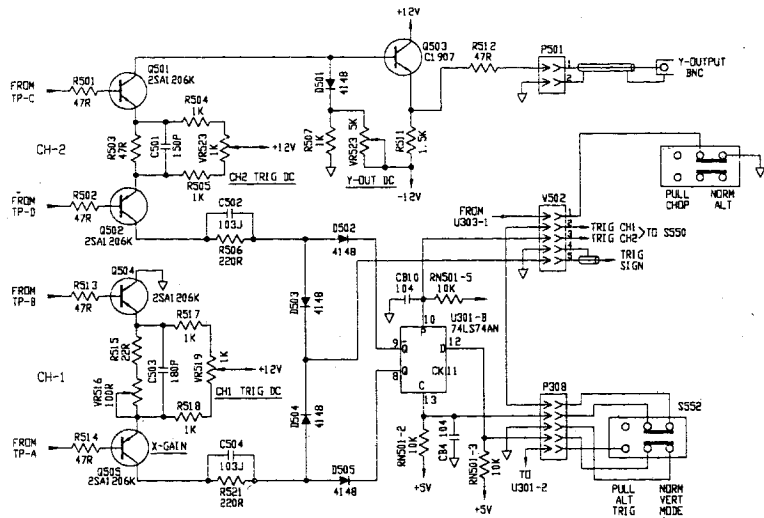
Name	B+K 216A/2160A	Model	VERT MID AMPL CIRCUIT	Date	29-09-97	Dwg No.	PK-044V1
------	----------------	-------	-----------------------	------	----------	---------	----------

COMP.	2120B/2128A	2160A/1641D
R415 R416	33K/1W	22K/1W
R419 R422	47K/1W	33K/1W
R402 R405	562R	332R
R407	1K	560R
R409 R410	392R	562R

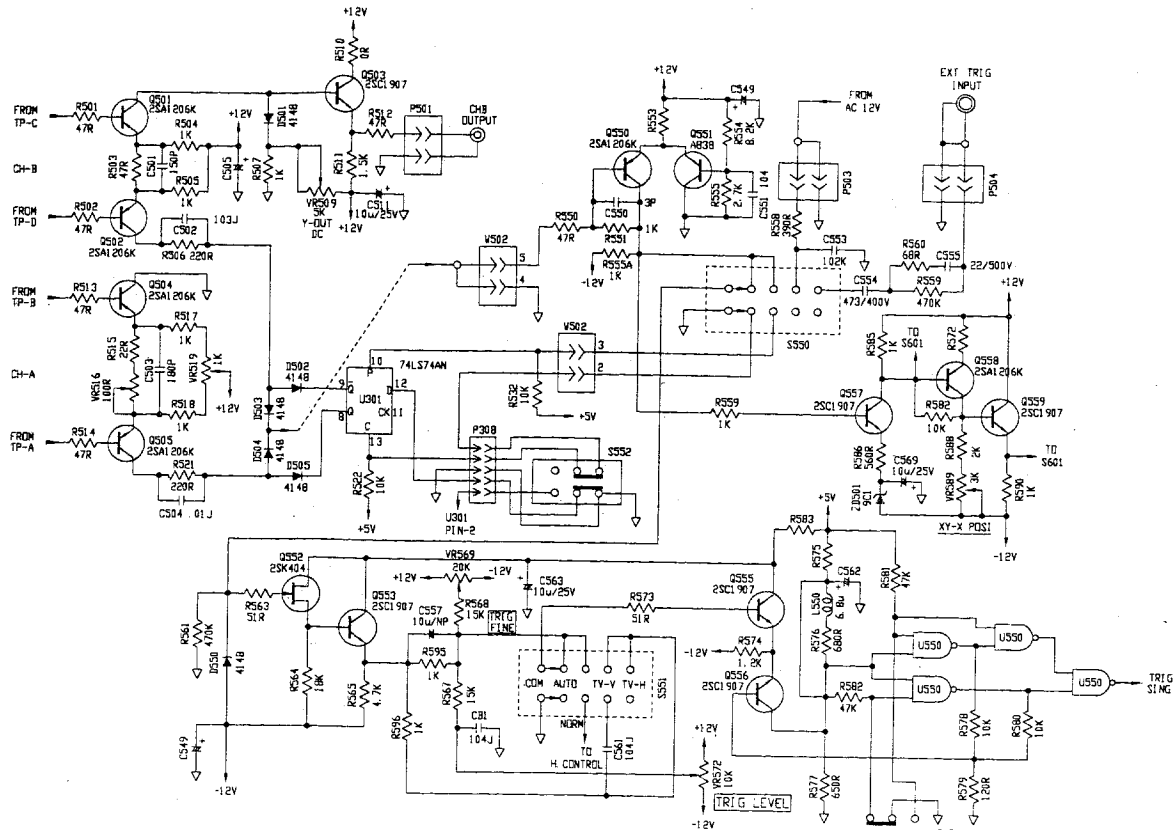


Name	Model	Date	Dwg No.
B-X 2120B/2128A/2160A/1641D	VERT FINAL AMPL CIRCUIT	30-09-97	PK-044V2





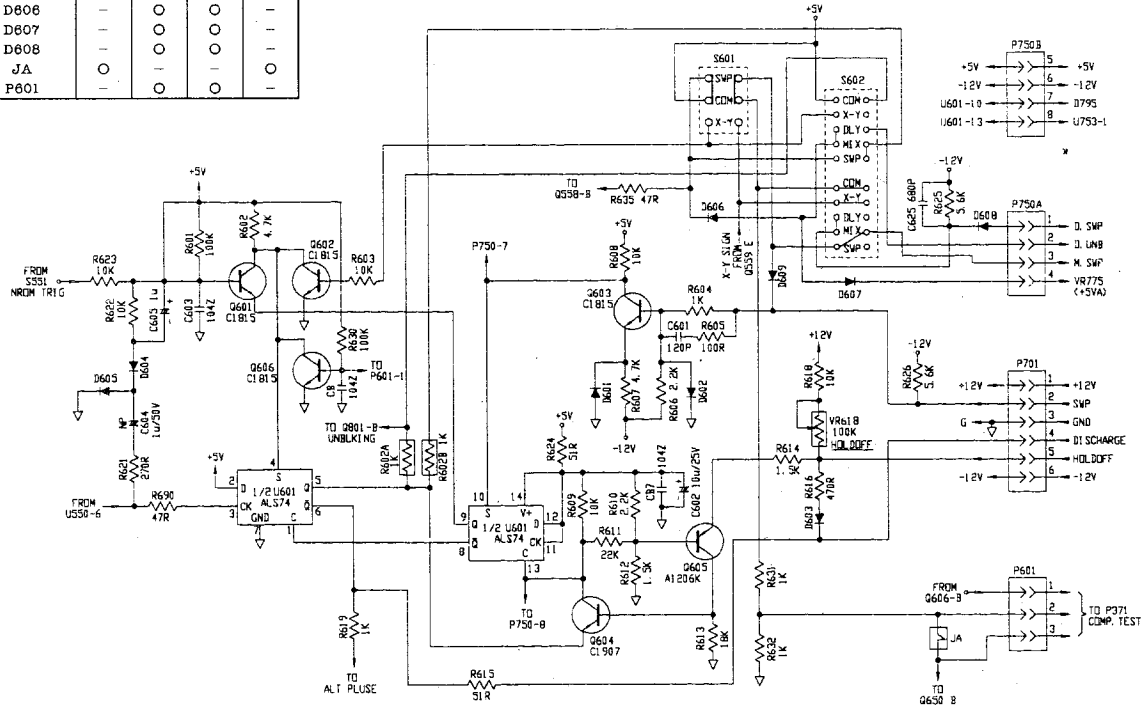
Name	Part No.	Model	Date	Dwg No.	PK
B+K 2120B/2125A/2160A/1841D			22-10-97		0444



PARTS	2120B	2125A	1541D	2160A
U650		AL800		800

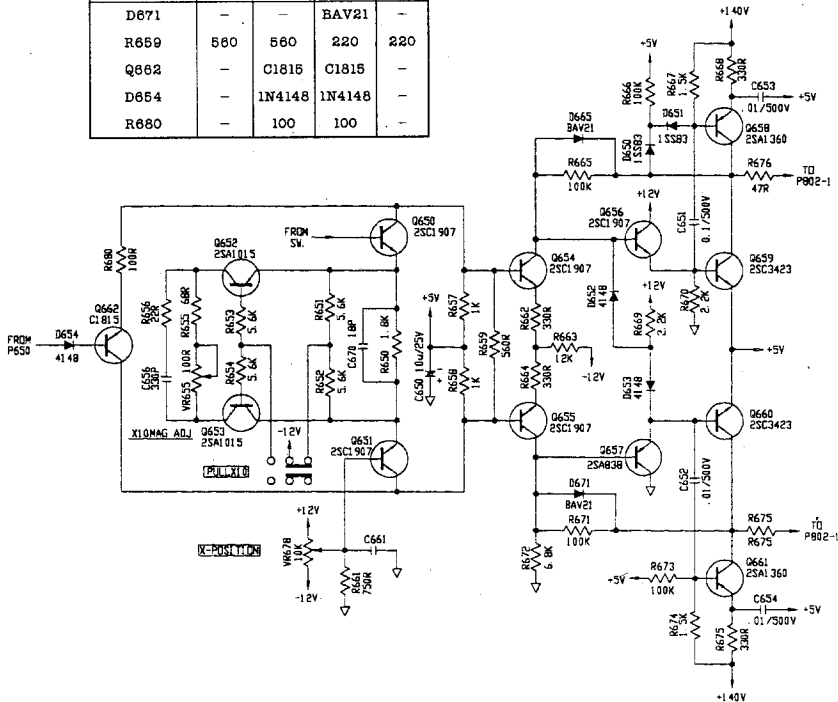
Name#	B-K 2120B/2125A/2160A/1541D	Model#	TRIG GENERATOR	DaLa	18-09-97	Dwg No.	PK-045H1
-------	-----------------------------	--------	----------------	------	----------	---------	----------

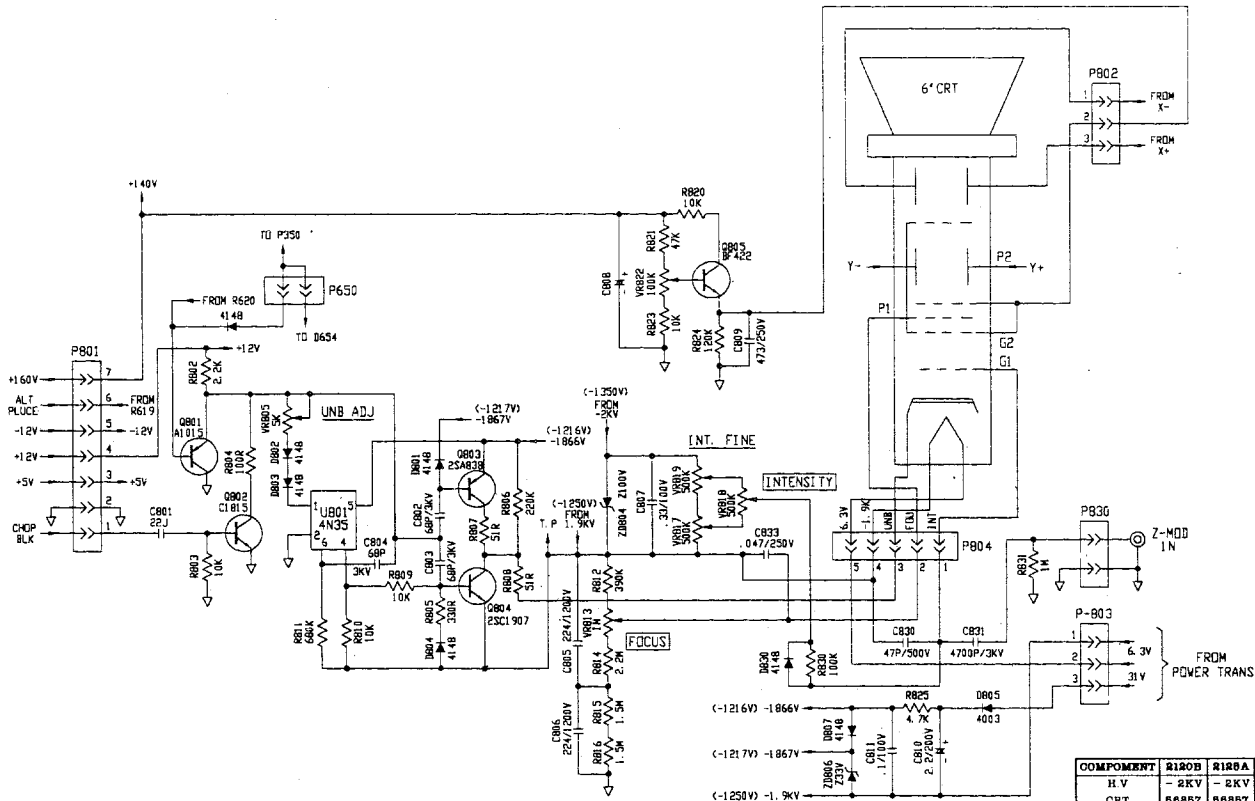
COMPONENT	2120B	2125A	2160A	1B41D
S601	○			○
S602	○	○	○	○
R620A	○	○	○	○
R620D		○	○	○
D606	○	○	○	○
D607	○	○	○	○
D608	○	○	○	○
JA	○			○
P601	○	○	○	○



Name	B+K 2120B/2125A/2160A/1B41D	Model	HOR. CONTROL CKT.	Date	21-09-97	Dwg No.	PK-045H2
------	-----------------------------	-------	-------------------	------	----------	---------	----------

COMPONENT	2120B	2125A	2160A	1841D
D671	-	-	BAV21	-
R669	560	560	220	220
Q662	-	C1815	C1815	-
D654	-	1N4148	1N4148	-
R680	-	100	100	-





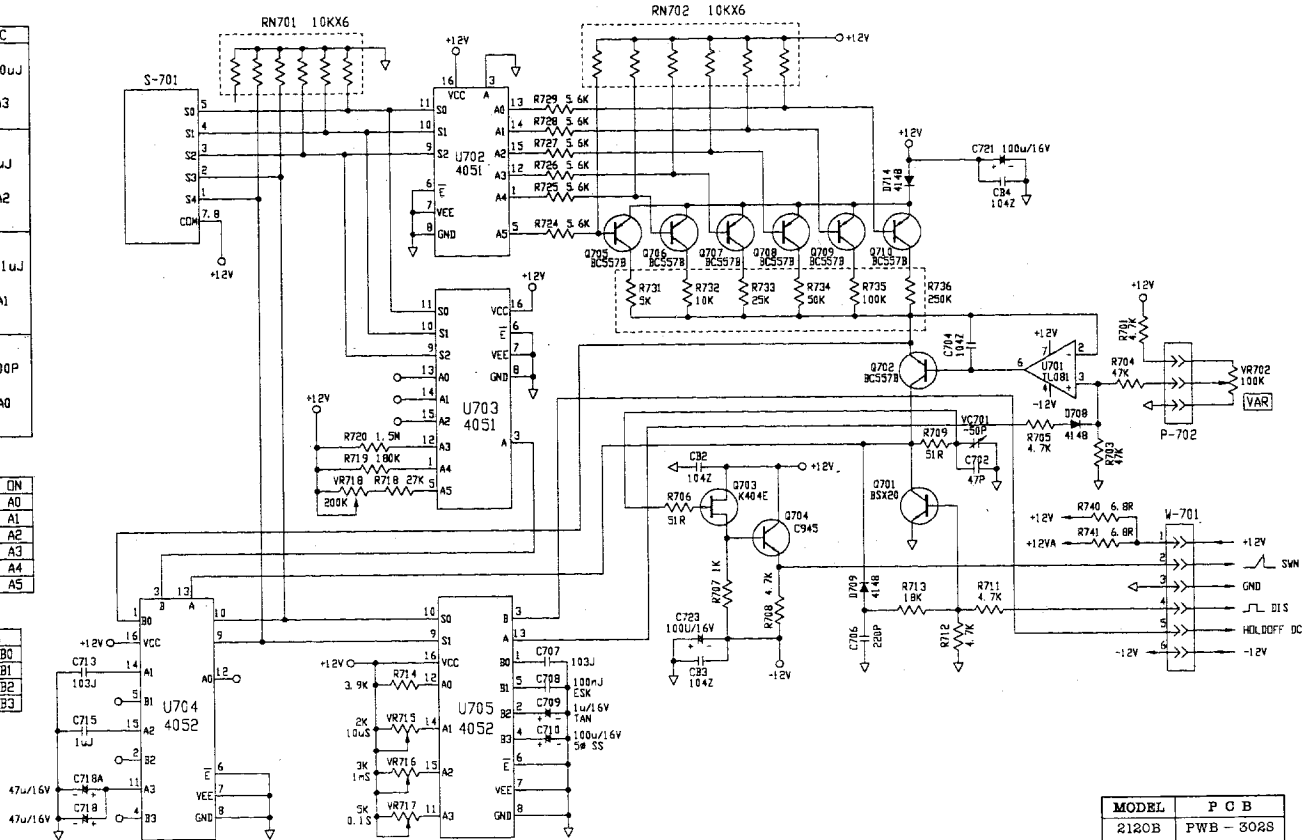
COMPONENT	R120B	R120A	R100A	1B41D
H V	- 2KV	- 2KV	- 1360V	- 1360V
CRT	66887	66887	66869	66859
C831	-	O	O	-
C833	.047	100P	100P	.047
R812	390K	390K	2.2M	2.2M
R814	2.2M	2.2M	1M	1M
R831	-	O	O	-
P850	-	O	O	-

Name: B+E R120B/R125A/R100A/1B41D Model: CRT. CIRCUIT Date: 25-09-97 Dwg No.: PK-045H4

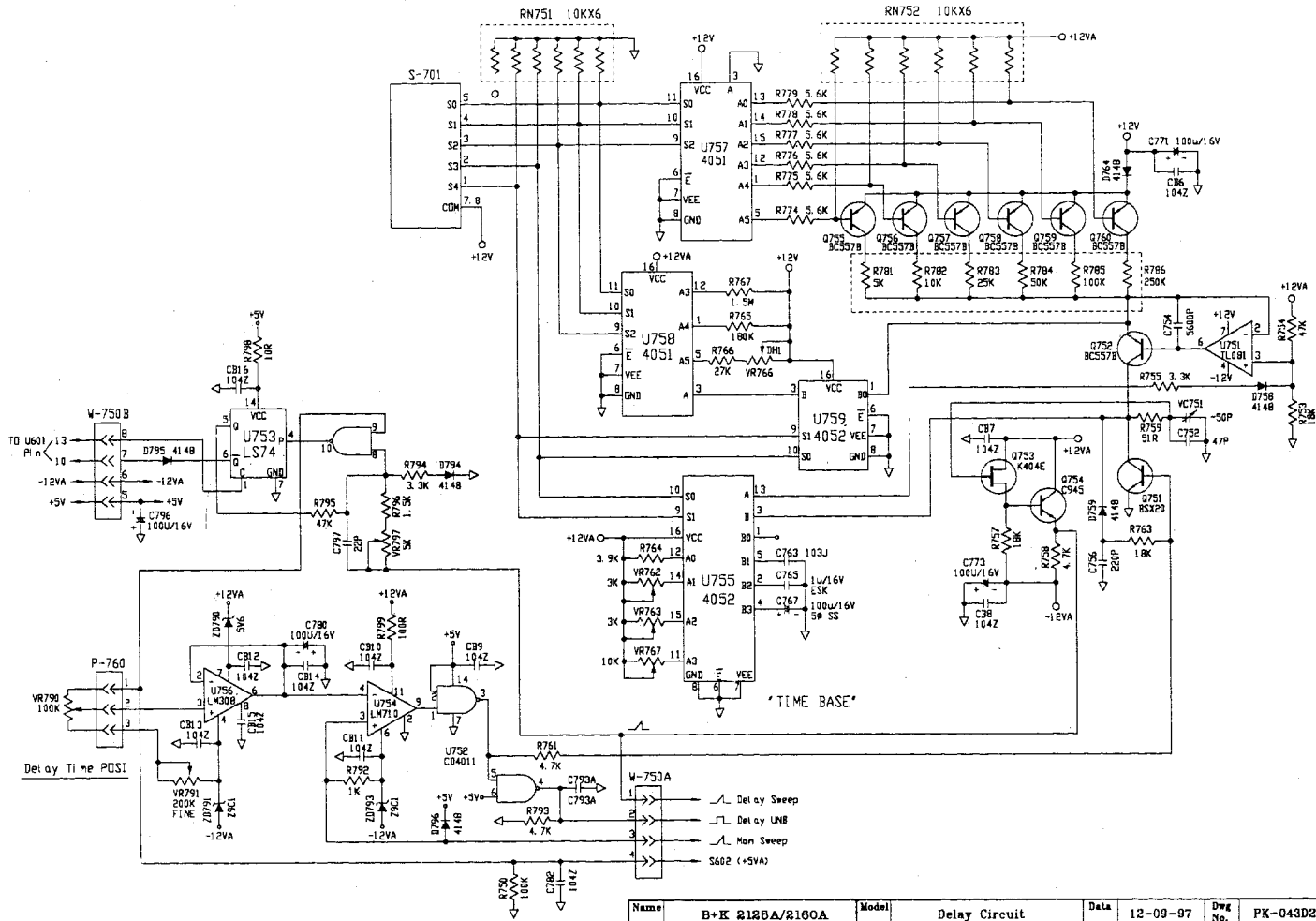
TIME	R	C
2S	100K	
1S	50K	100uJ
0.5S	25K	
0.2S	10K	A3
0.1S	5K	
500uS	250K	
20	100K	1uJ
10	50K	
5	25K	A2
2	10K	
1	5K	
2.5uS	250K	
0.2	100K	0.1uJ
0.1	50K	
50uS	25K	
20	10K	A1
10	5K	
5uS	250K	
2	100K	100P
1	50K	
0.5	25K	
0.2	10K	A0
0.1	5K	

CD4051	S2	S1	S0	DN
	0	0	0	A0
	0	0	1	A1
	0	1	0	A2
	0	1	1	A3
	1	0	0	A4
	1	0	1	A5

CD4052	S1	S0	DN
	0	0	A0 B0
	0	1	A1 B1
	1	0	A2 B2
	1	1	A3 B3



MODEL	P C B
2120B	PWB - 302S
2125A	PWB - 043D
2160A	PWB - C.3D
1841D	PWB-302S



Name	B-K 212BA/2160A	Model	Delay Circuit	Date	12-09-97	Dwg No.	PK-043D2
------	-----------------	-------	---------------	------	----------	---------	----------