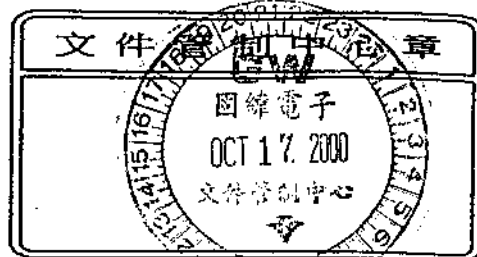


線 路 圖

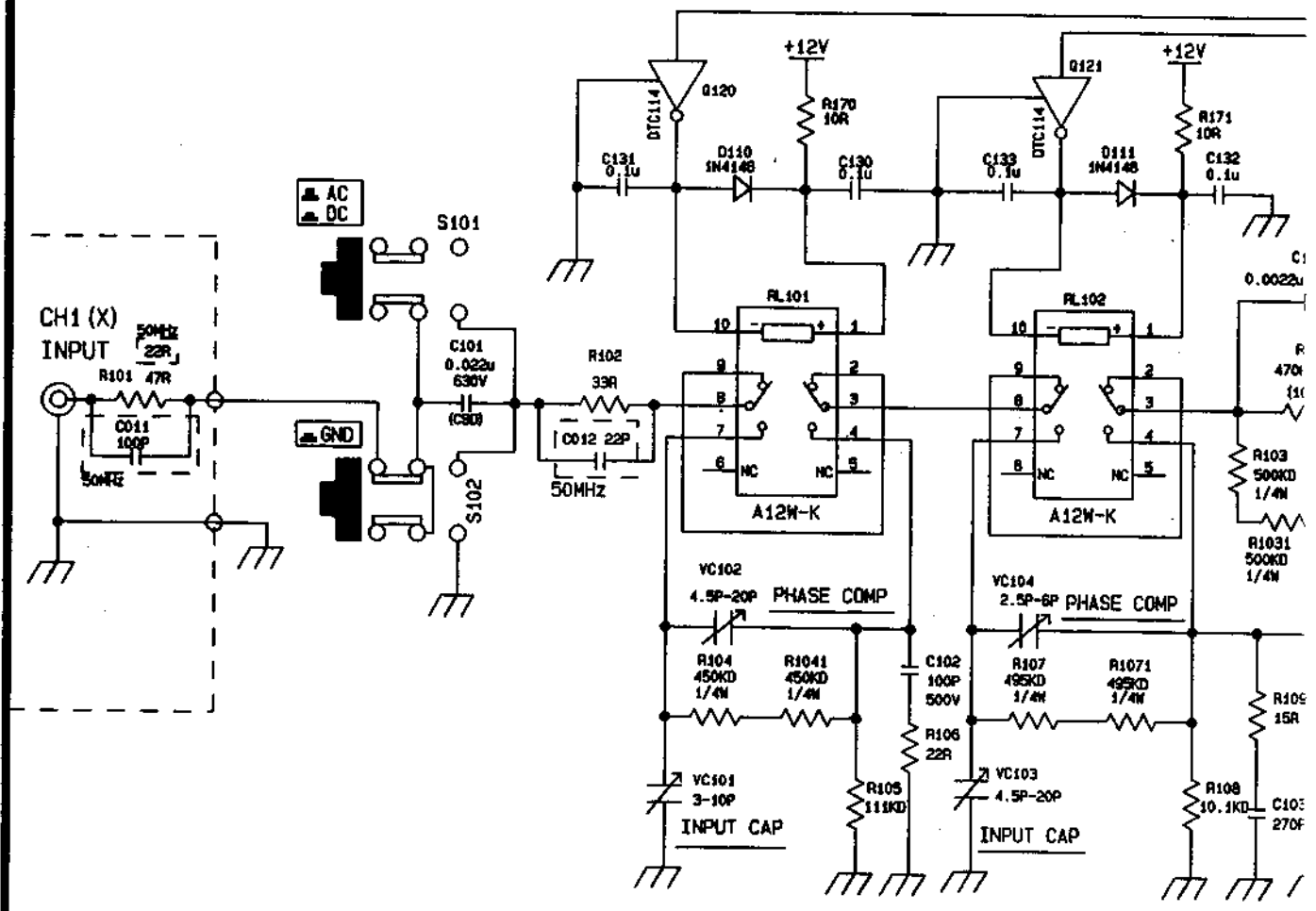


G05-book-series

適用機種: (G05-022, 626, 657, 658, 635)

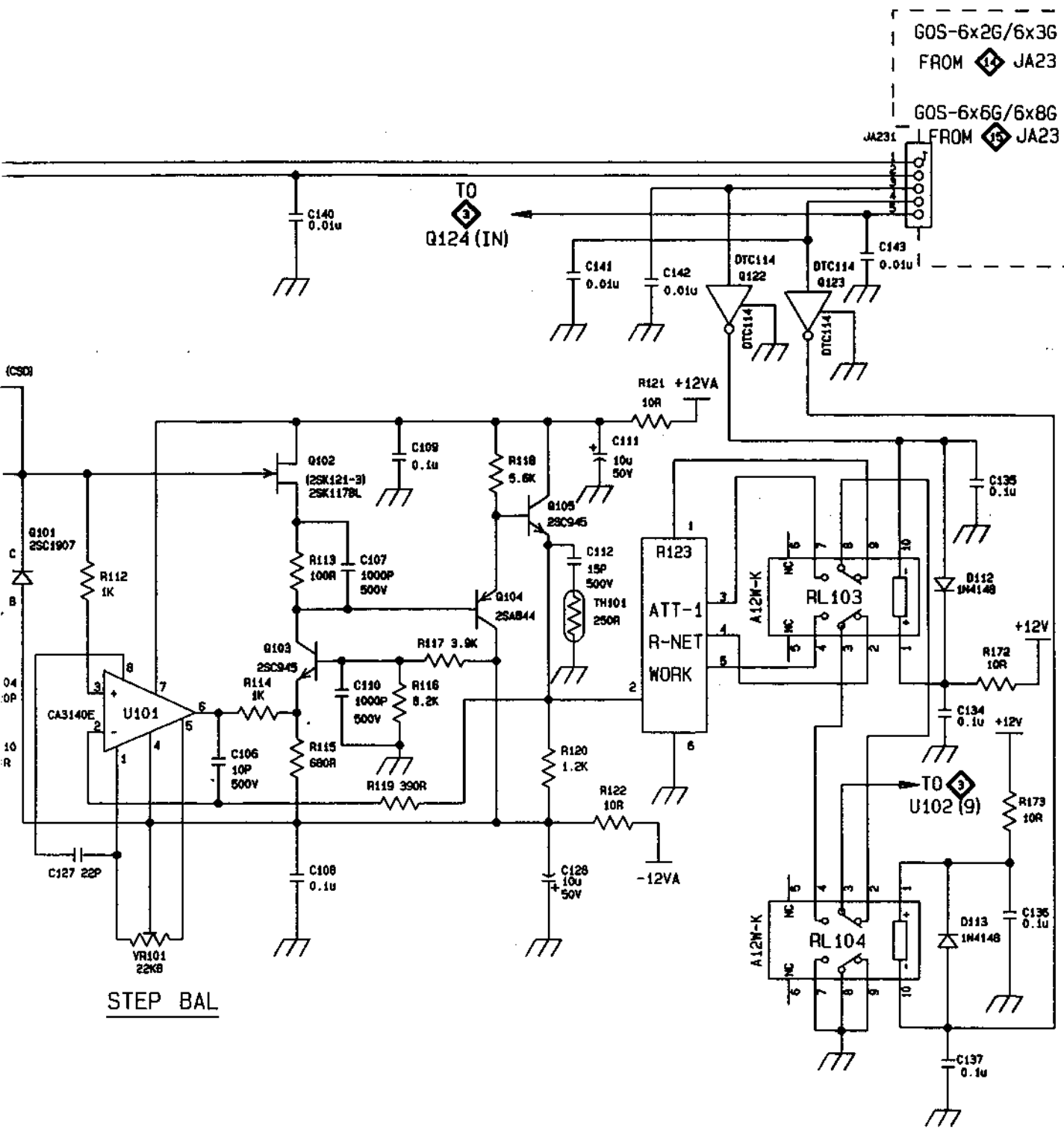
總頁數 共 20 頁

版本	發 行 / 變 更 說 明	ECR NO.	修訂日期
○	新規格圖發行		85.9.23



1/10

1/100



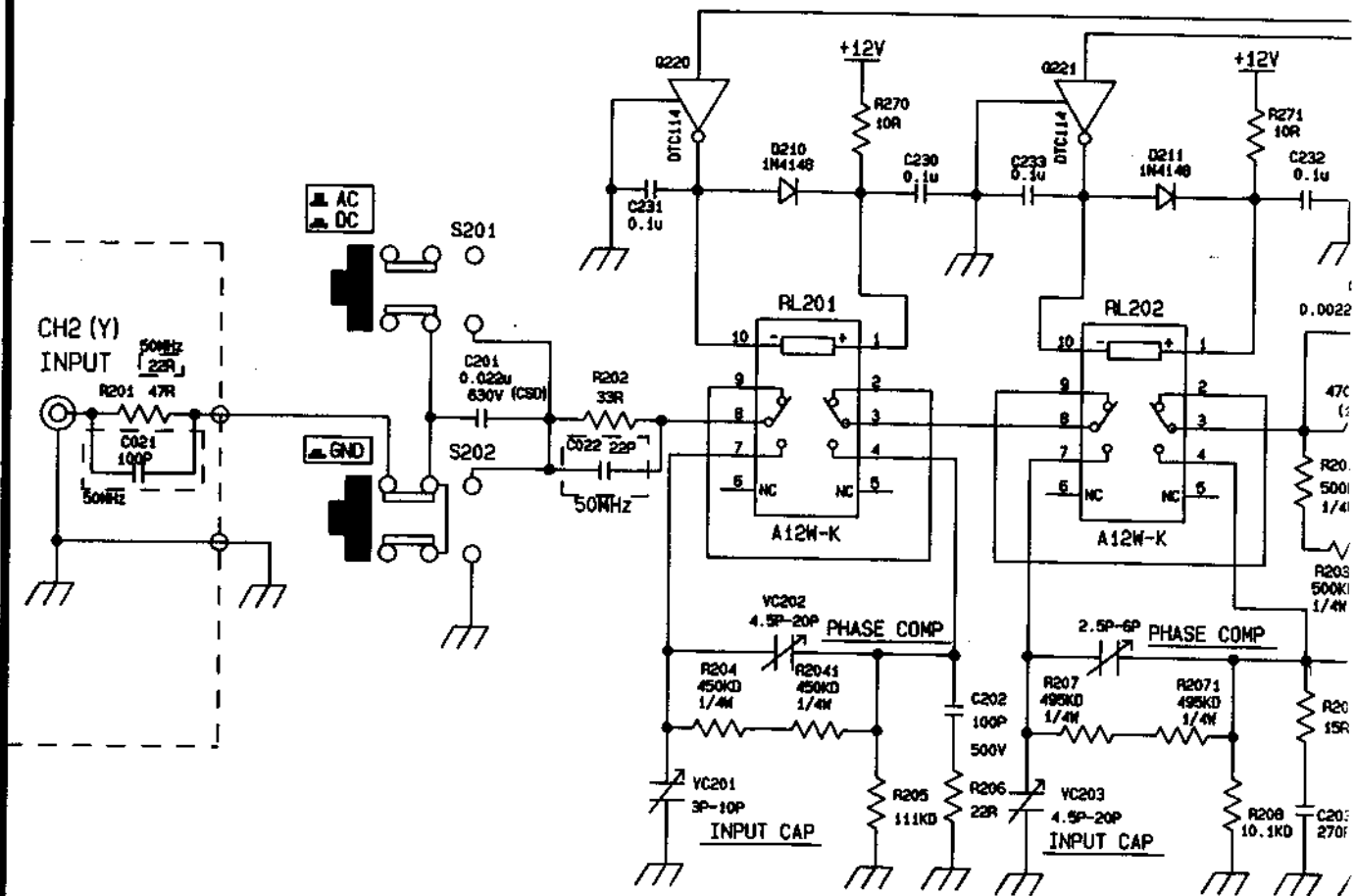
GOS-6x2G/6x3G
FROM JA23

GOS-6x6G/6x8G
FROM JA23

STEP BAL

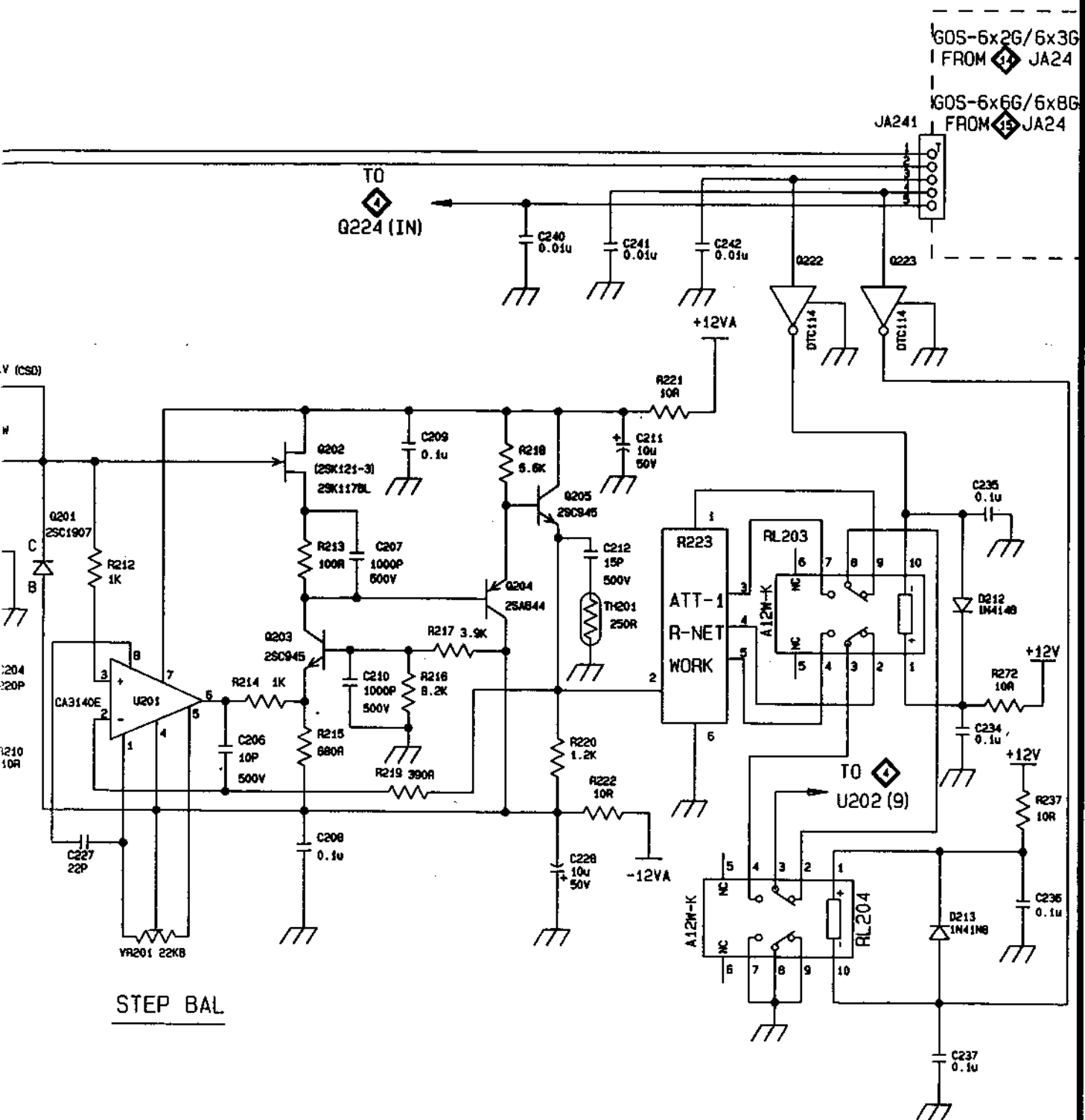
OS03P02B.PCB

DRAWN BY 謝 85.9.16 亮明	CHECKED BY 許 85.9.16 孟波	APPROVED BY 85.9.16 陳揚	MODEL NO GOS-600G	DESCRIPTION CH1 ATT
			DRAWING NO <1>	



1/10

1/100



GOS-6x2G/6x3G
FROM JA24

GOS-6x6G/6x8G
FROM JA24

JA241

TO
Q224 (IN)

ATT-1
R-NET
WORK

U202 (9)

STEP BAL

OS03P02B.PCB

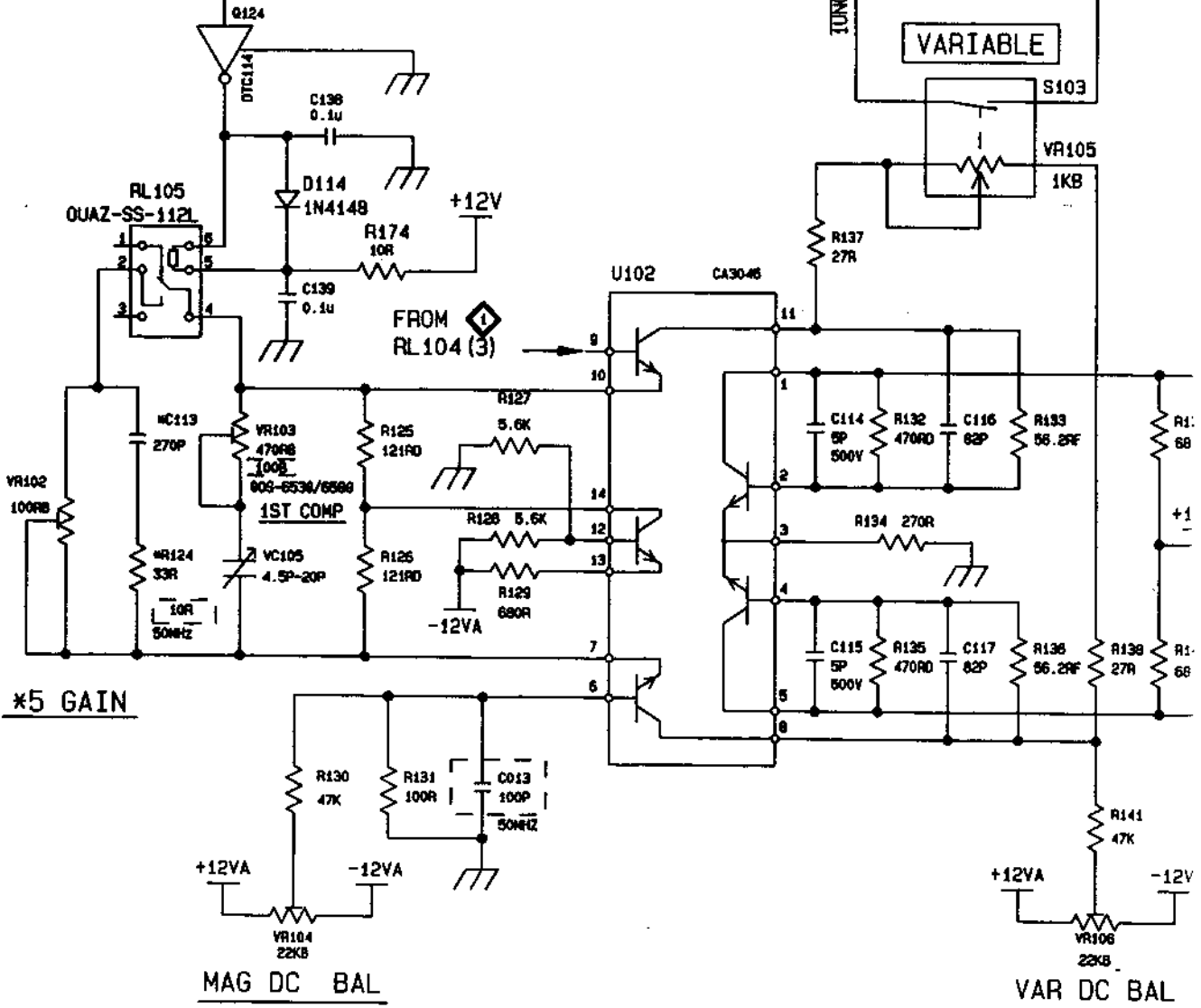
DRAWN BY	CHECKED BY	APPROVED BY	MODEL NO	GOS-600G
85.9.15 意明	85.9.16 孟海	85.9.16 雲輝	DESCRIPTION	CH2 ATT
			DRAWING NO	<2>

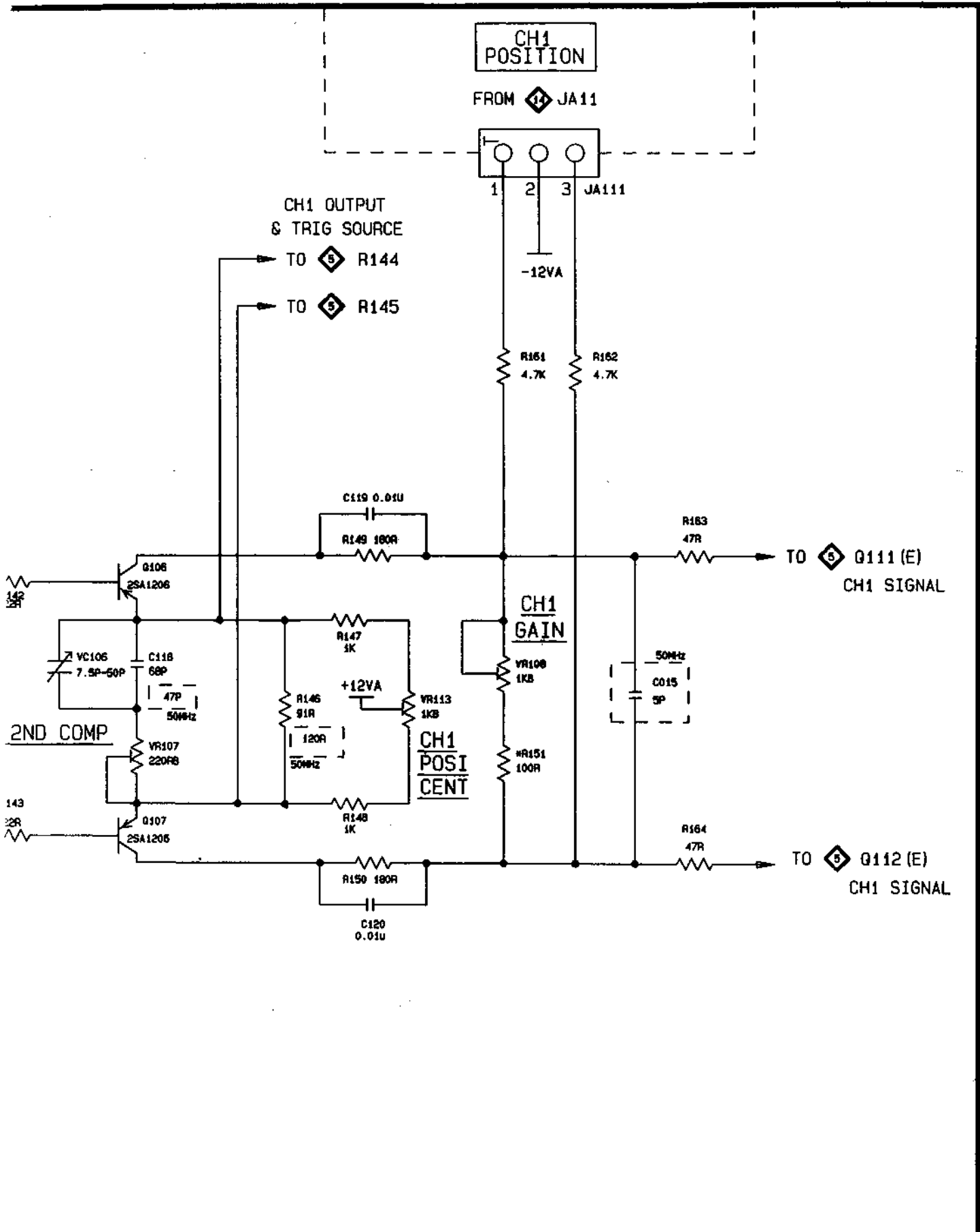
GOS-6X8G/6X8G ONLY

TO \diamond J1011

(READOUT)

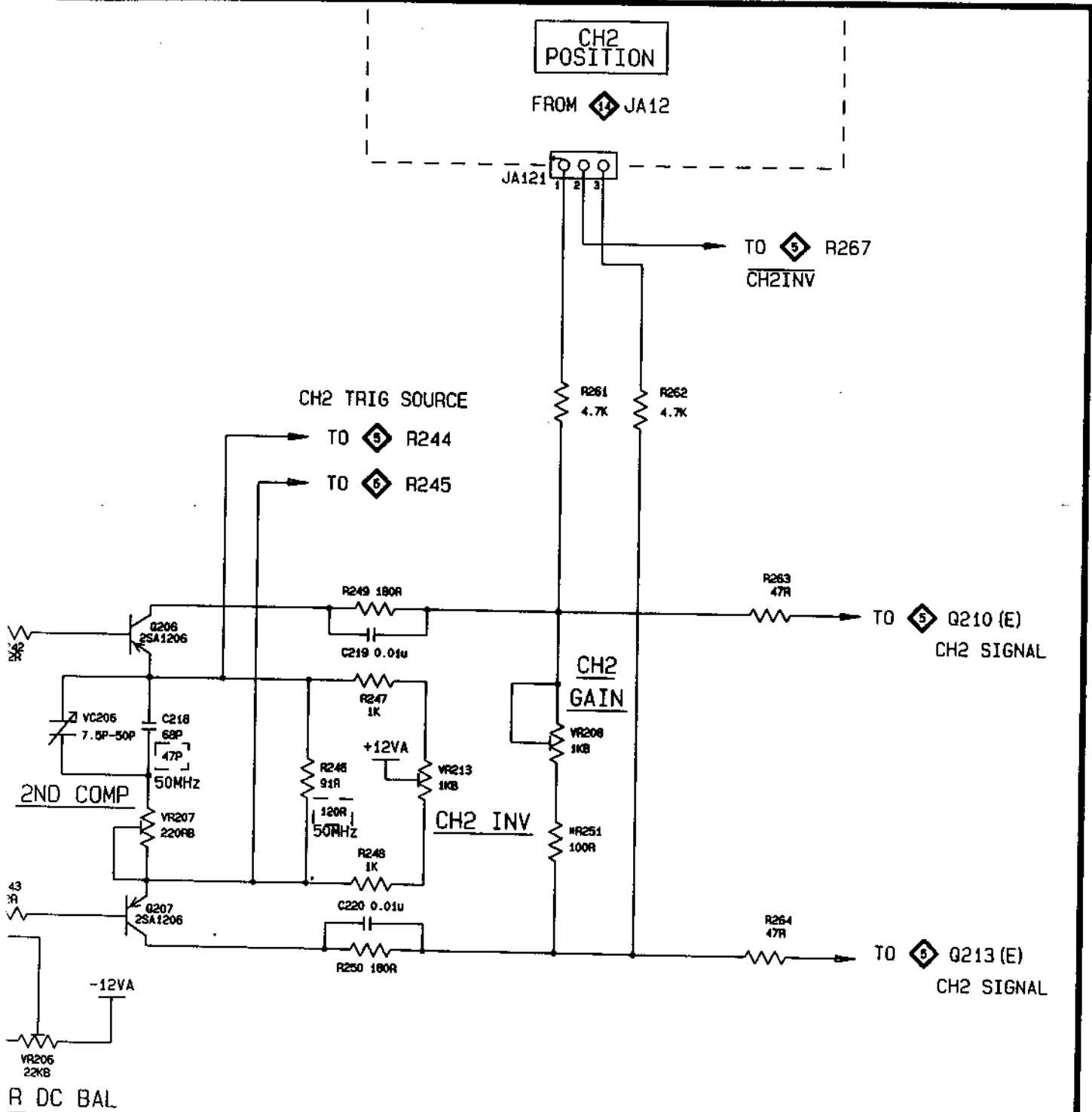
FROM \diamond
JA231 (5)





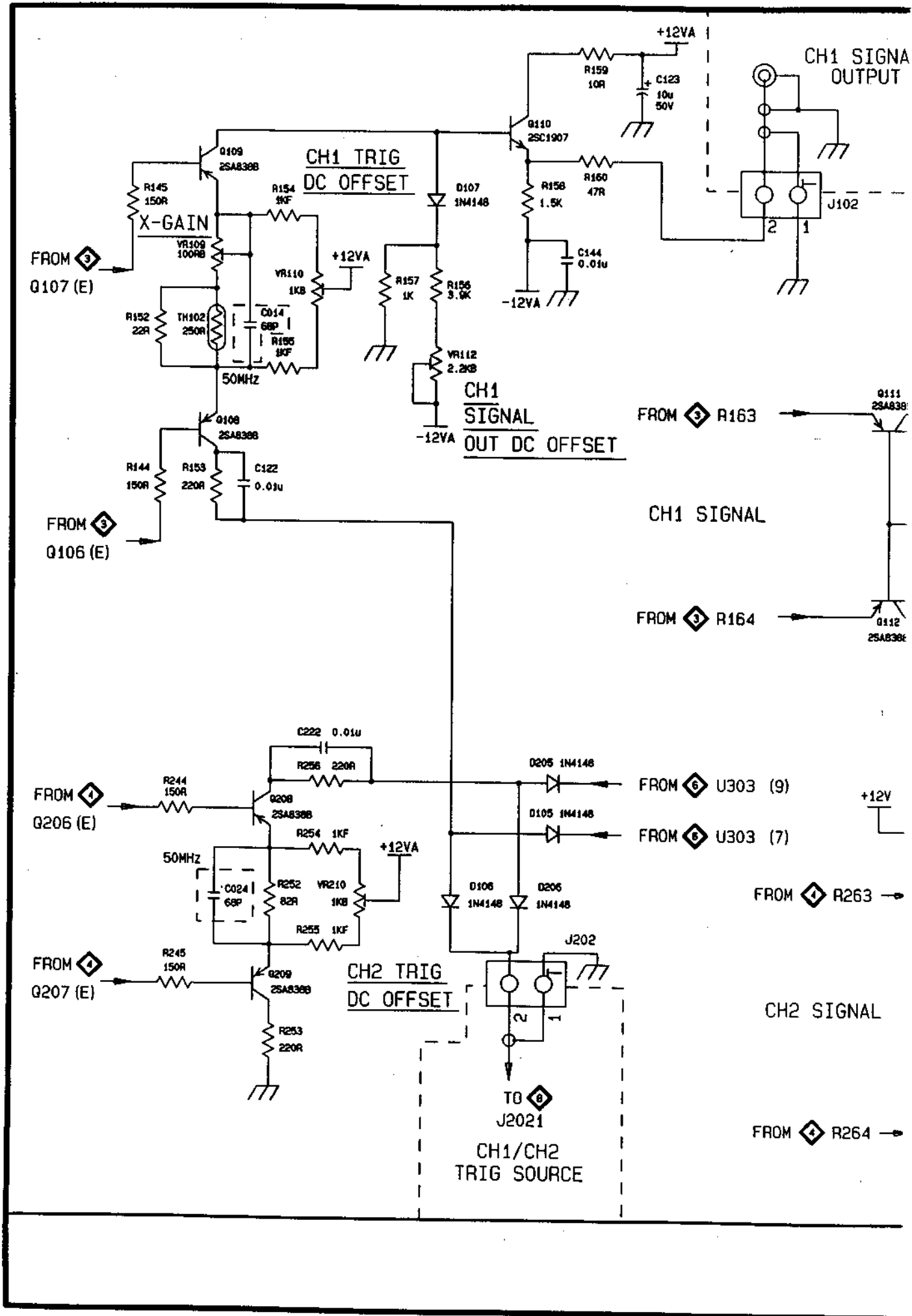
OS03P02B.PCB

DRAWN BY	CHECKED BY	APPROVED BY	MODEL NO	GOS-600G
			DESCRIPTION	CH1 PRE AMP
			DRAWING NO	<3>



OS03P02B.PCB

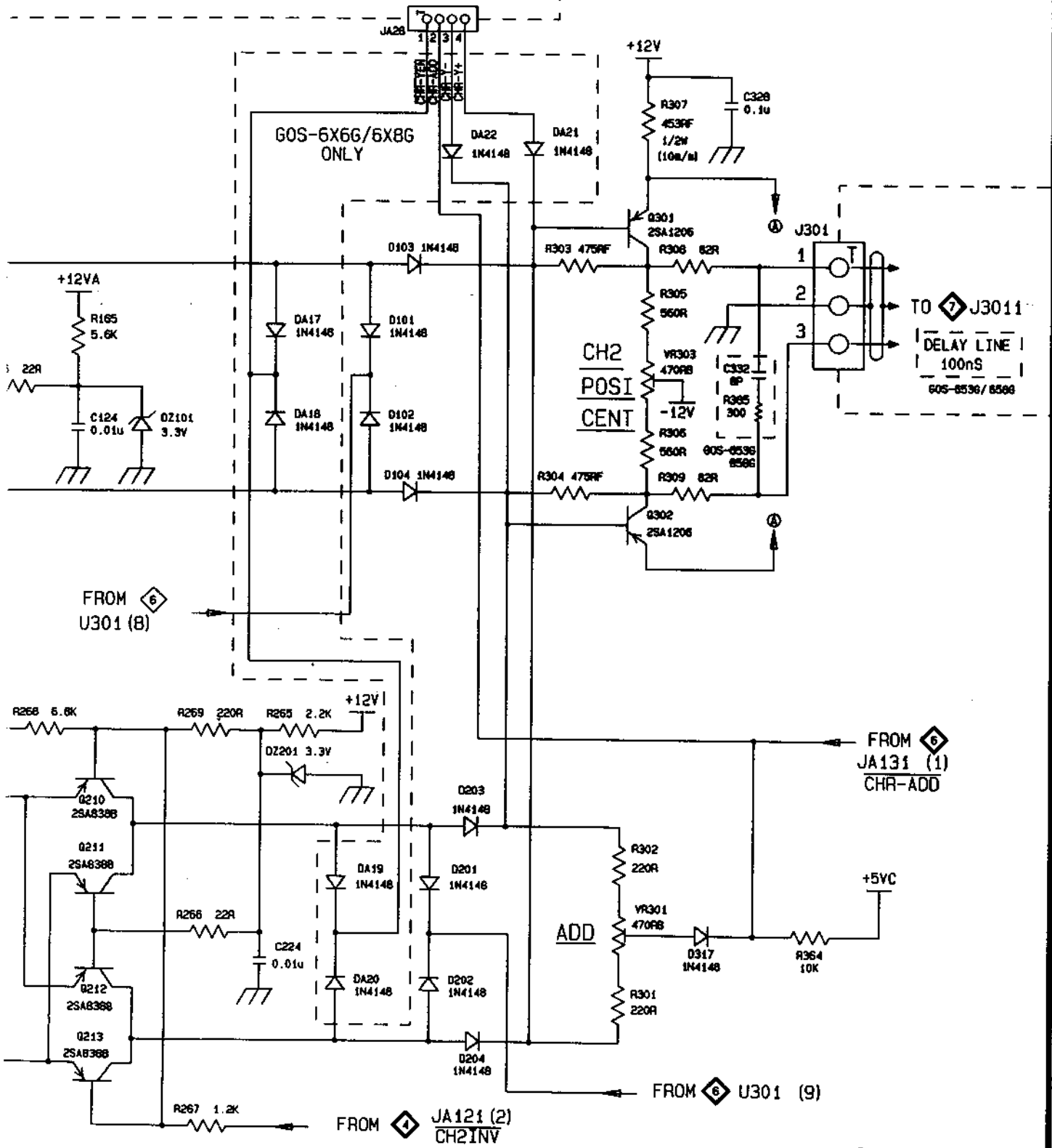
DRAWN BY 05.9.23 志明	CHECKED BY 05.9.23 志強	APPROVED BY 05.9.23 維揚	MODEL NO GOS-600G	DESCRIPTION CH2 PRE AMP
			DRAWING NO <4>	



GOS-6X6G/6X8G
ONLY

FROM \diamond JA281

(READOUT)



OS03P02B.PCB

DRAWN BY

CHECKED BY

APPROVED BY

MODEL NO

GOS-600G

謝
85.9.23
黃明

許
85.9.23
孟鴻

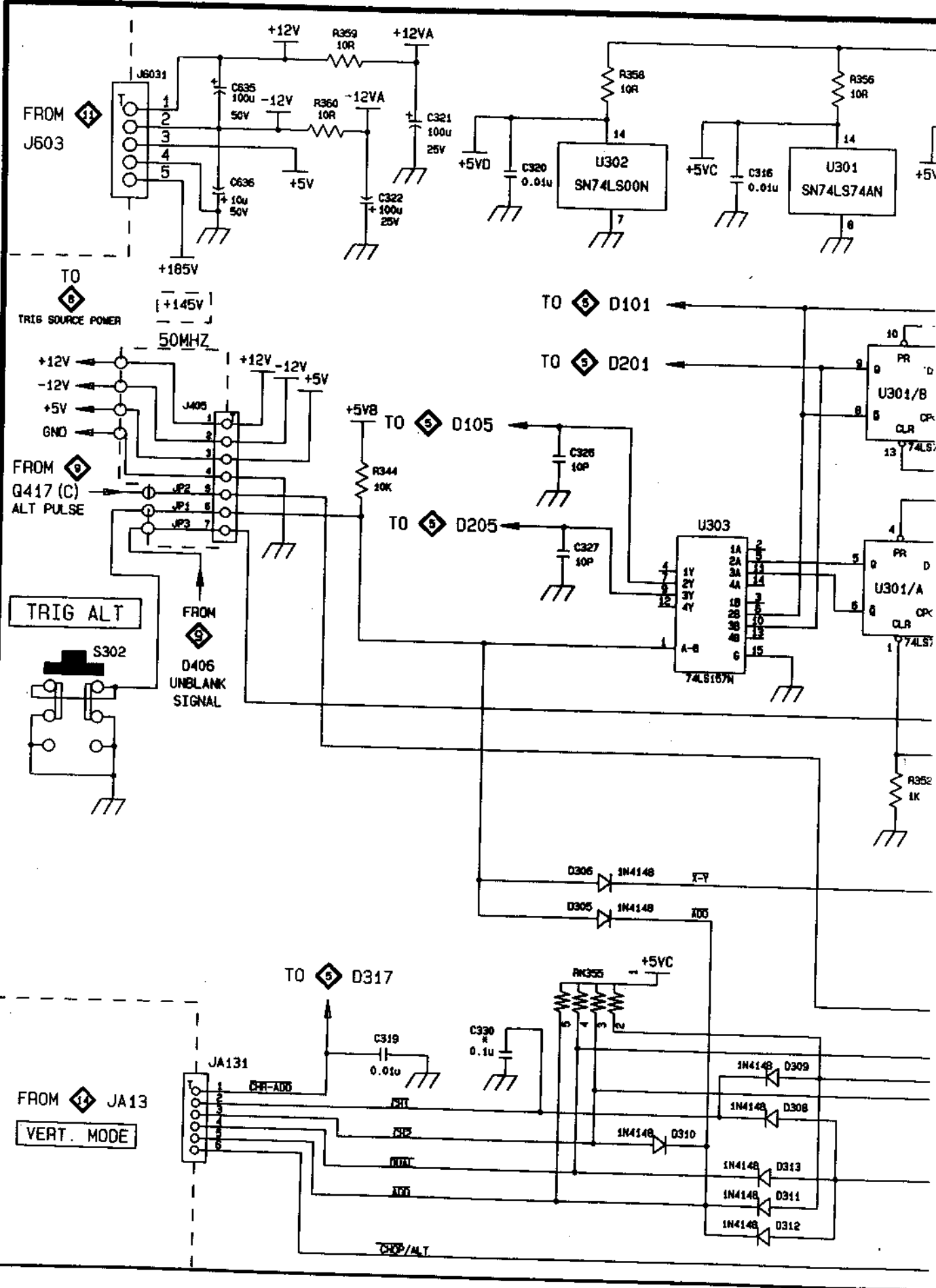
王
85.9.23
維揚

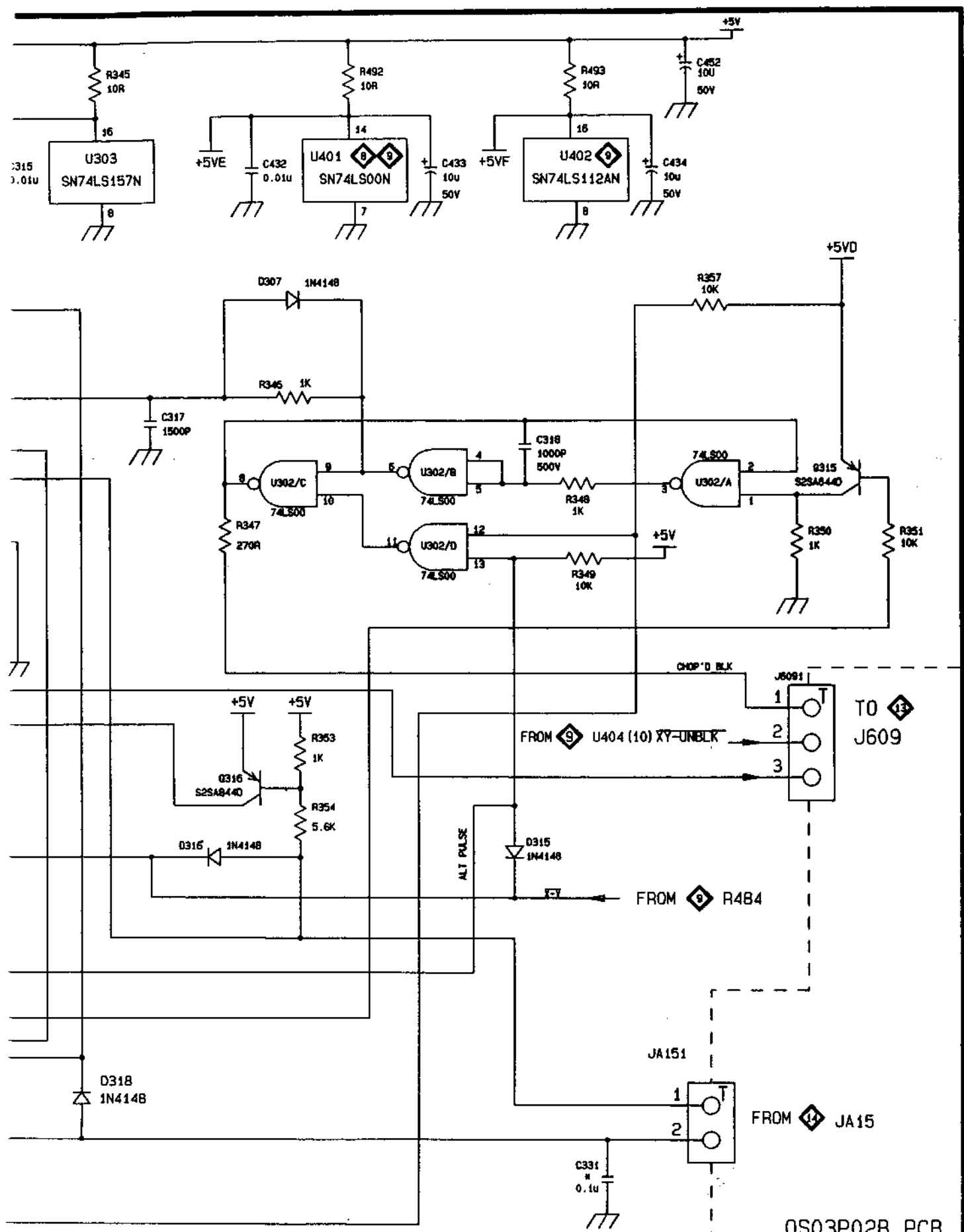
DESCRIPTION

VERT_SW

DRAWING NO

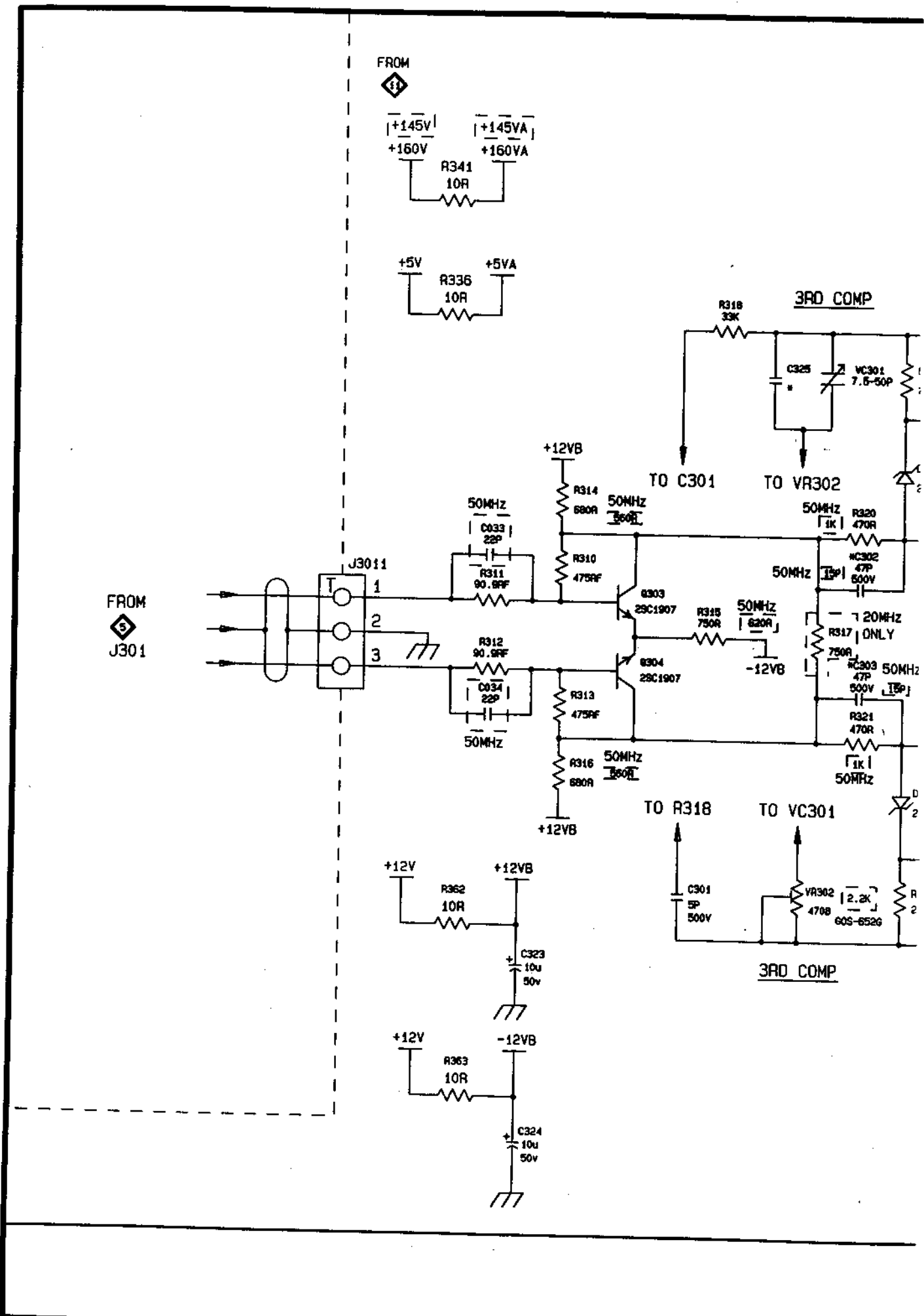
<5>

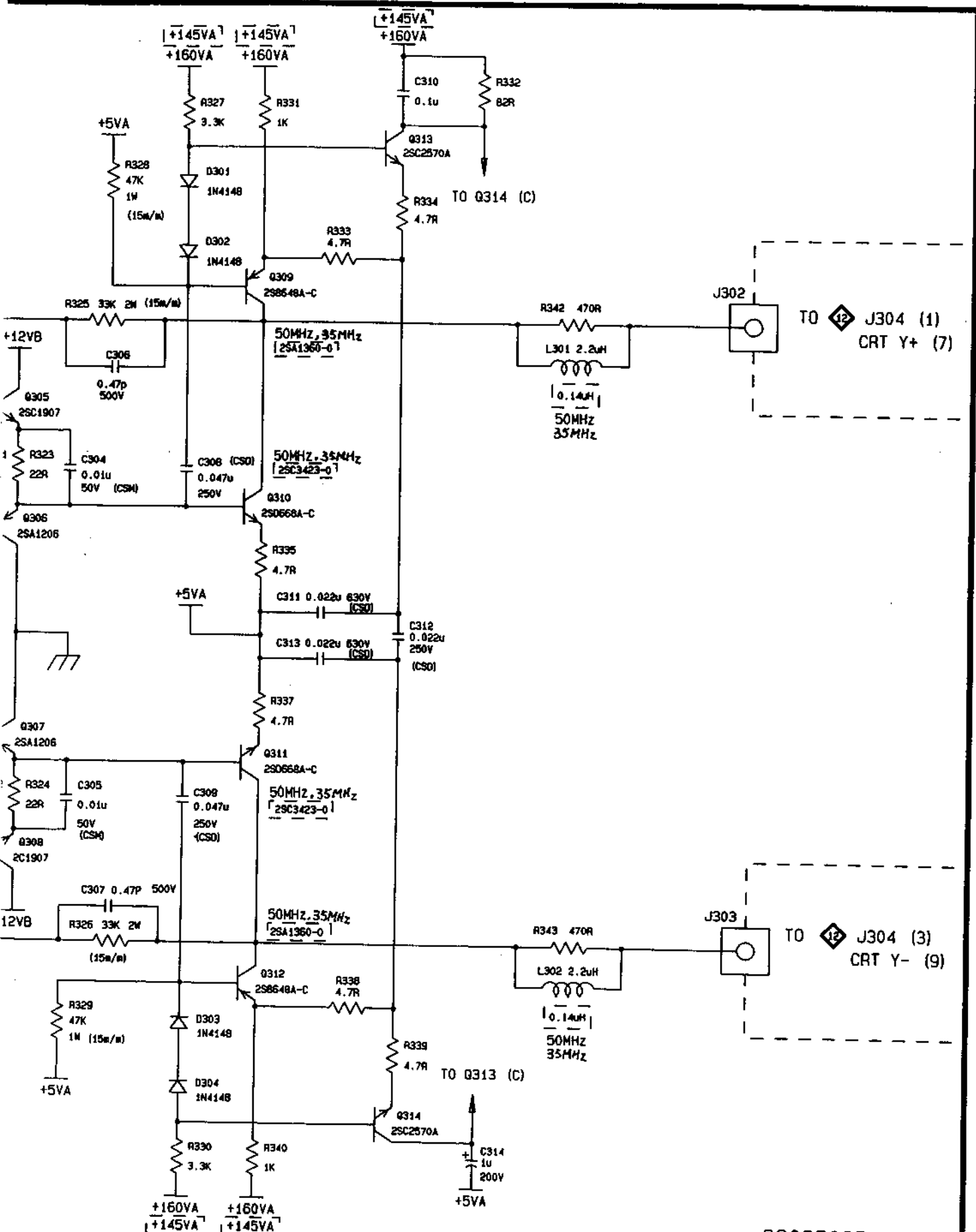




OS03P02B.PCB

DRAWN BY 謝 85.9.16 志明	CHECKED BY 許 85.9.16 孟鴻	APPROVED BY 曾 85.9.16 維揚	MODEL NO GOS-600G	DESCRIPTION SW-LOGIC
			DRAWING NO <6>	





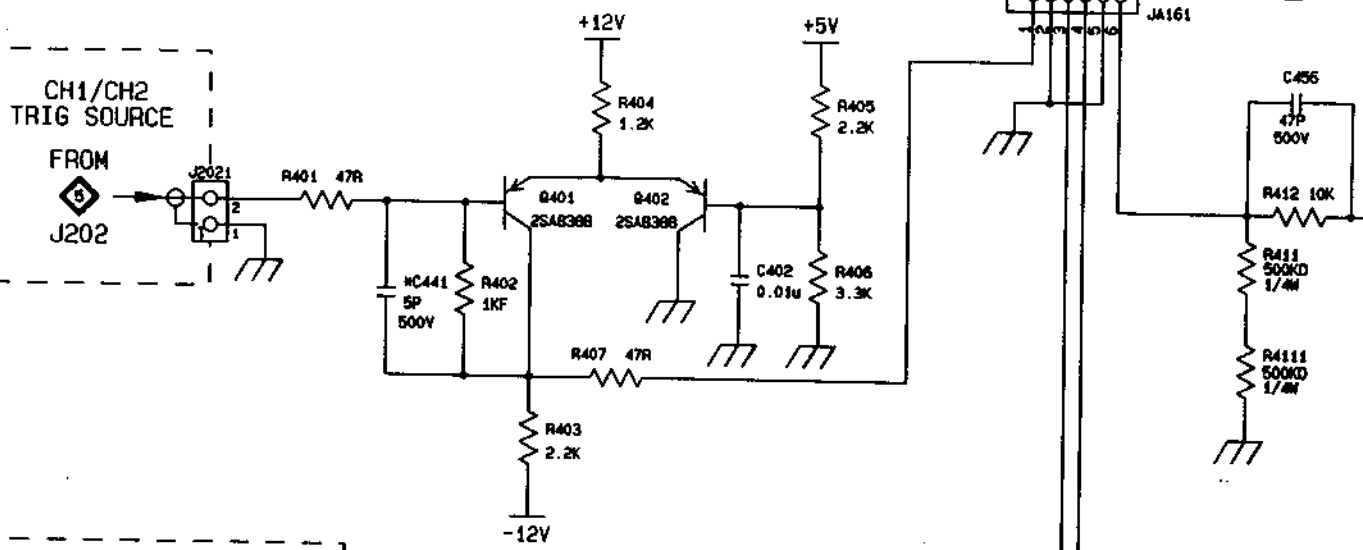
OS03P03B-1.PCB

DRAWN BY	CHECKED BY	APPROVED BY	MODEL NO	GOS-600G
謝 85.9.16 葉明	許 85.9.16 葉明	曹 85.9.16 葉明	DESCRIPTION	VERT-AMP
			DRAWING NO	<7>

CH1/CH2 TRIG SOURCE

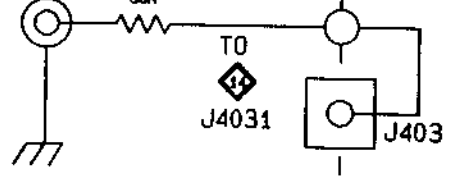
FROM \diamond J202

FROM \diamond JA16 TRIG SOURCE & COUPLING

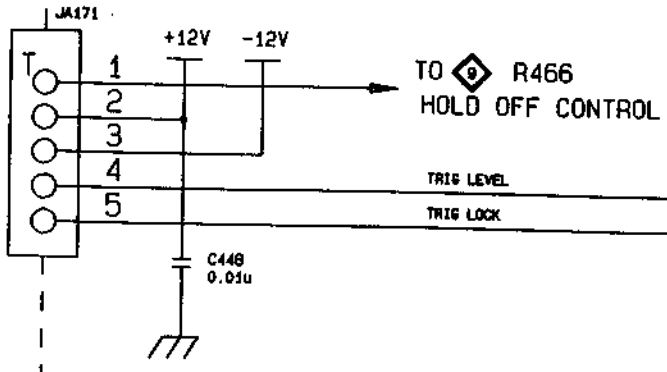


TRIG CENT

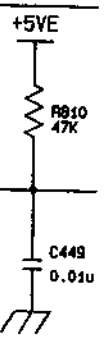
EXT INPUT

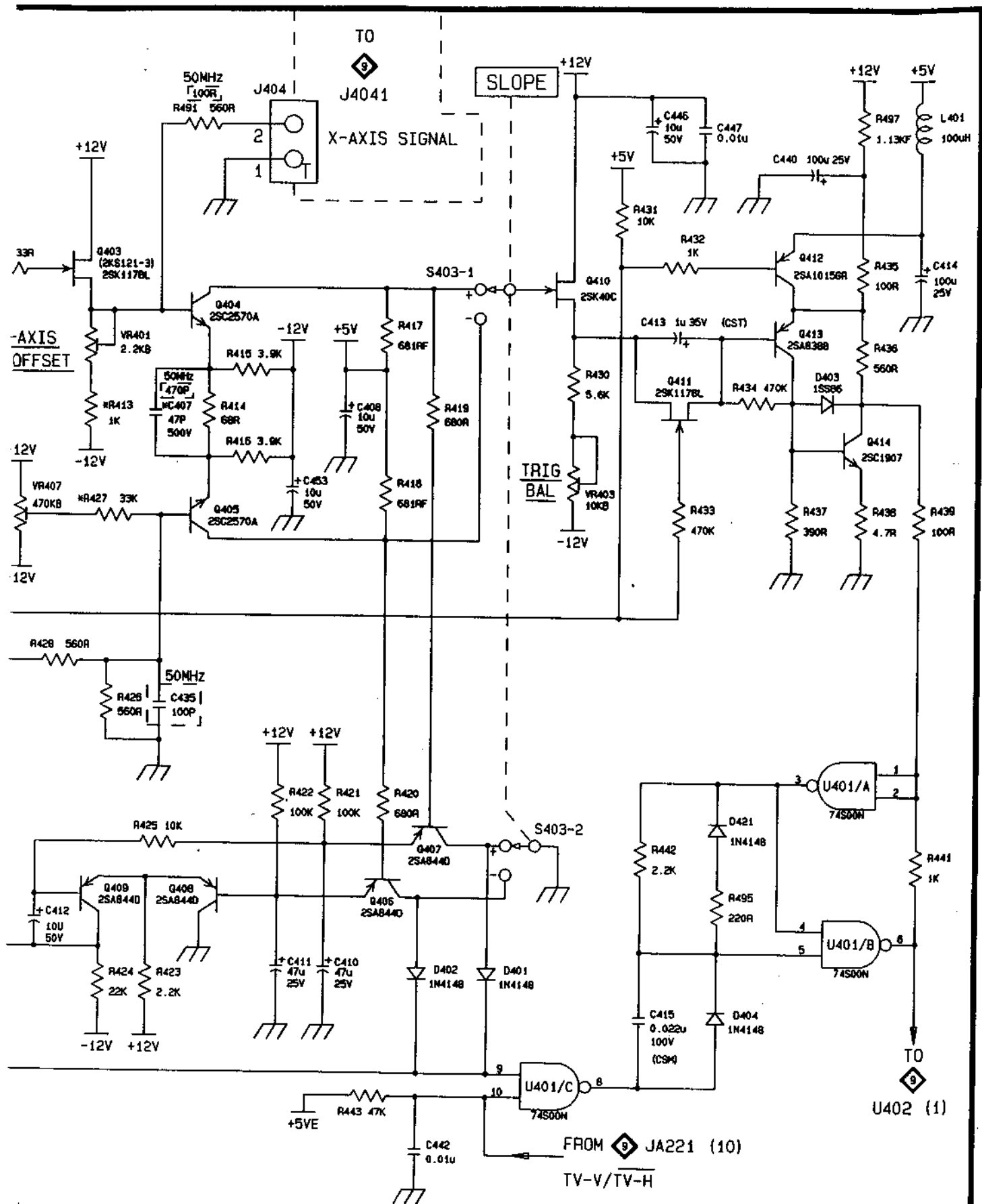


FROM \diamond JA17 LEVEL, LOCK & HOLD OFF



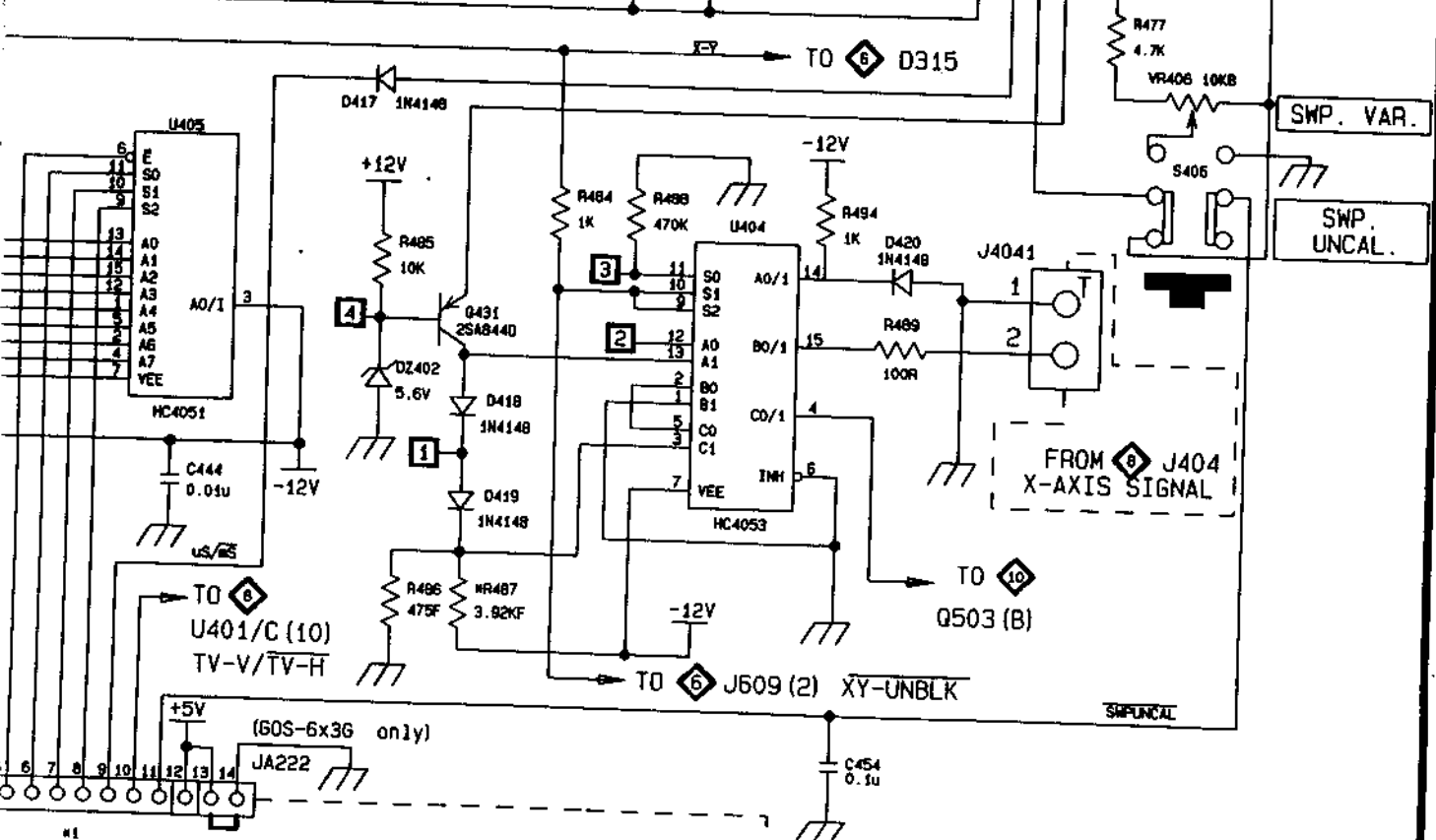
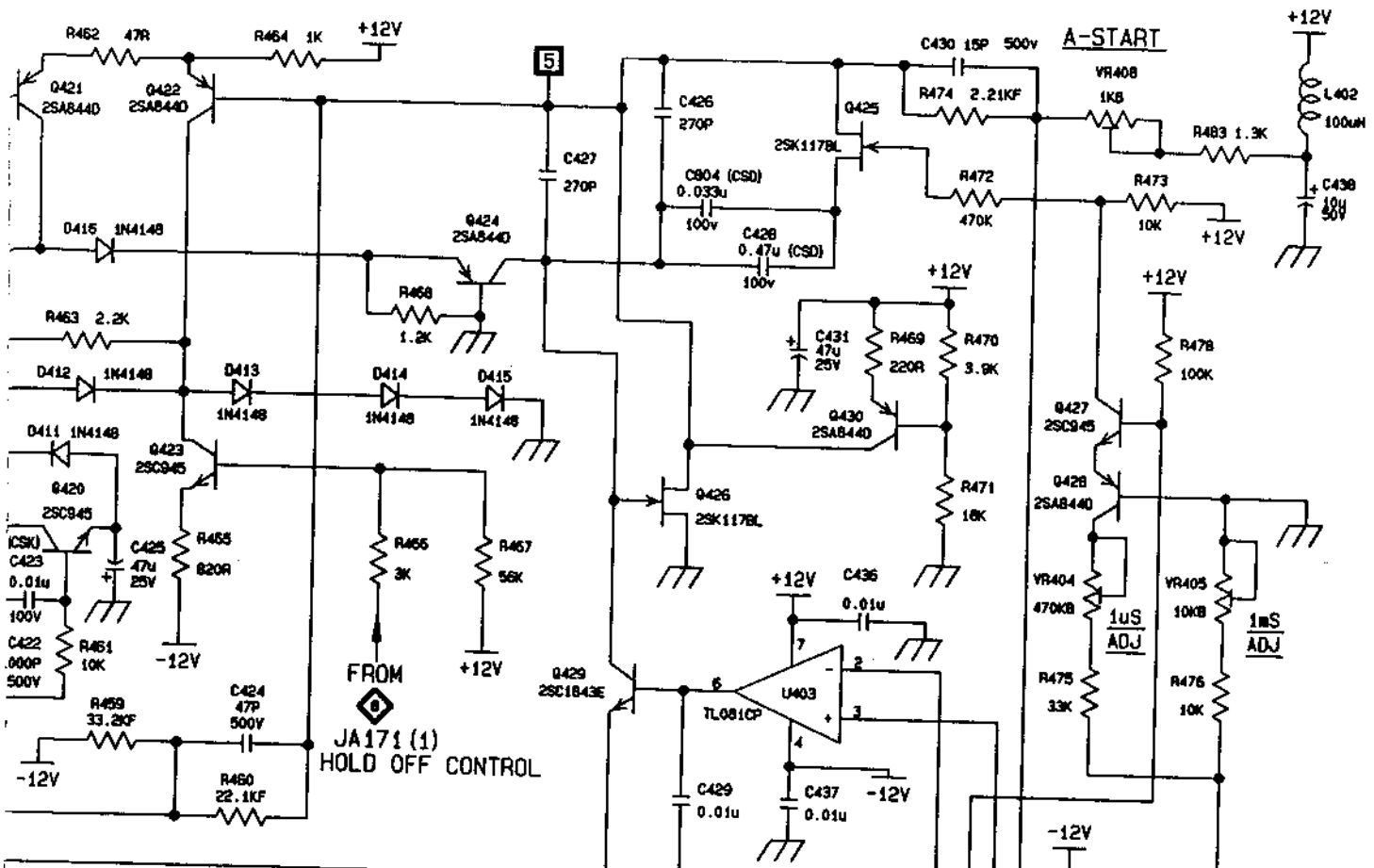
TRIG LEVEL
TRIG LOCK





OS03P02B.PCB

DRAWN BY  05.9.23 謝明	CHECKED BY  05.9.23 許	APPROVED BY  05.9.23 曾	MODEL NO GOS-600G	DESCRIPTION TRIG-CKT
			DRAWING NO <8>	



DRAWN BY

CHECKED BY

APPROVED BY

MODEL NO

0S03P02B.PCB



0S0-600G

DESCRIPTION

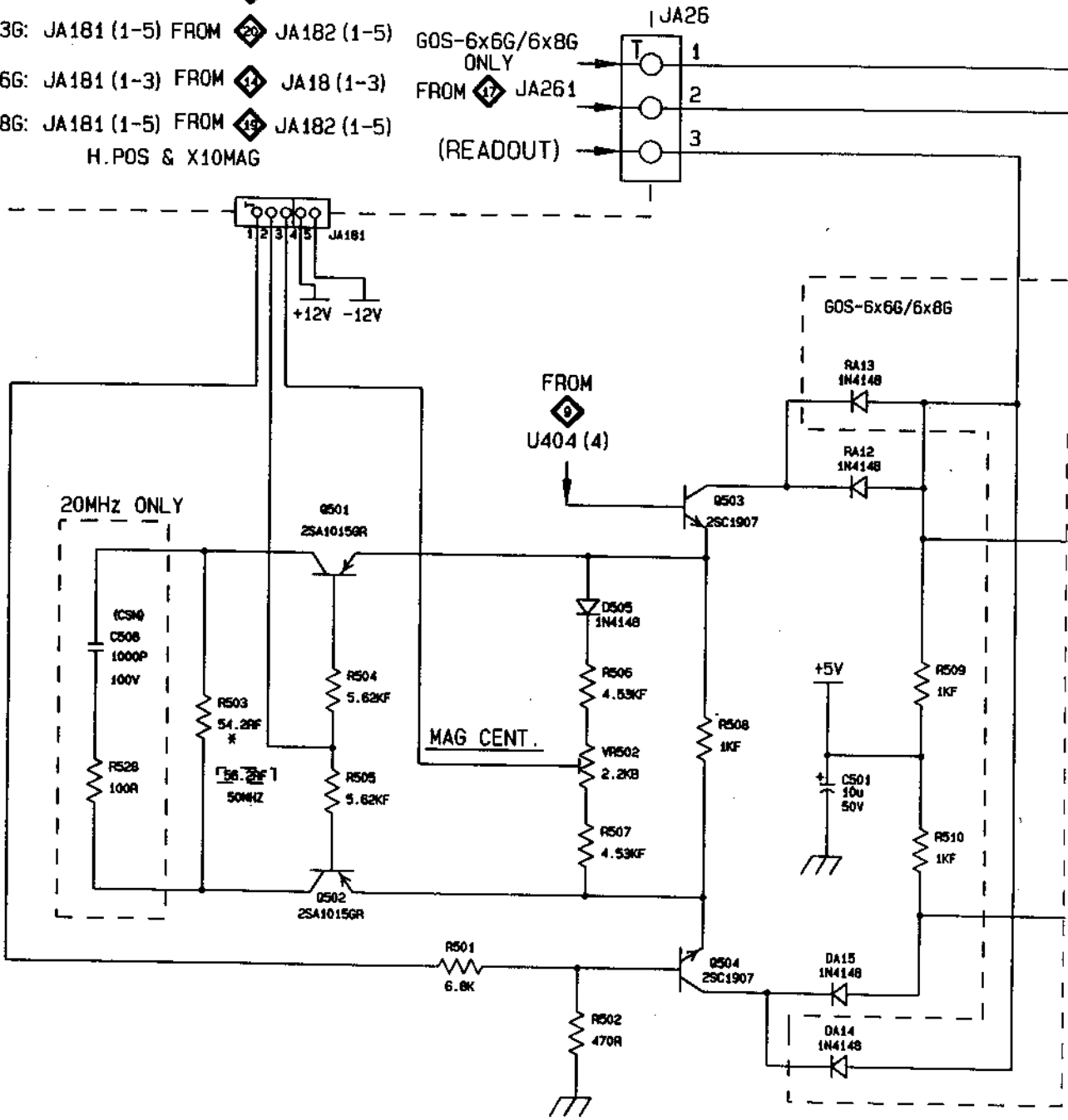
SWEEP-GEN

DRAWING NO

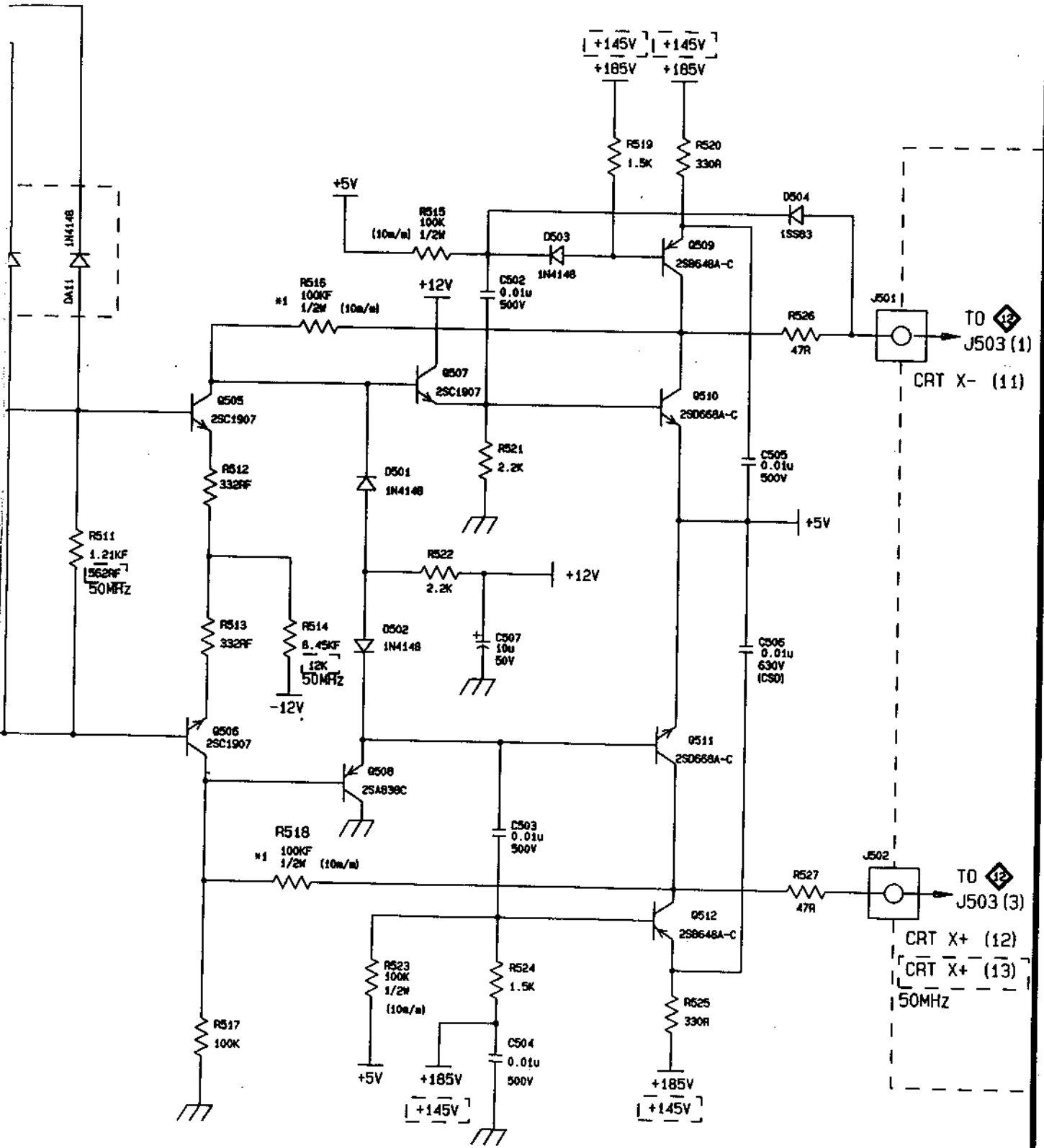
<9>

GOS-6x2G: JA181 (1-3) FROM $\diamond 14$ JA18 (1-3)
 GOS-6x3G: JA181 (1-5) FROM $\diamond 20$ JA182 (1-5)
 GOS-6x6G: JA181 (1-3) FROM $\diamond 14$ JA18 (1-3)
 GOS-6x8G: JA181 (1-5) FROM $\diamond 19$ JA182 (1-5)
 H.POS & X10MAG

GOS-6x6G/6x8G ONLY
 FROM $\diamond 17$ JA261
 (READOUT)



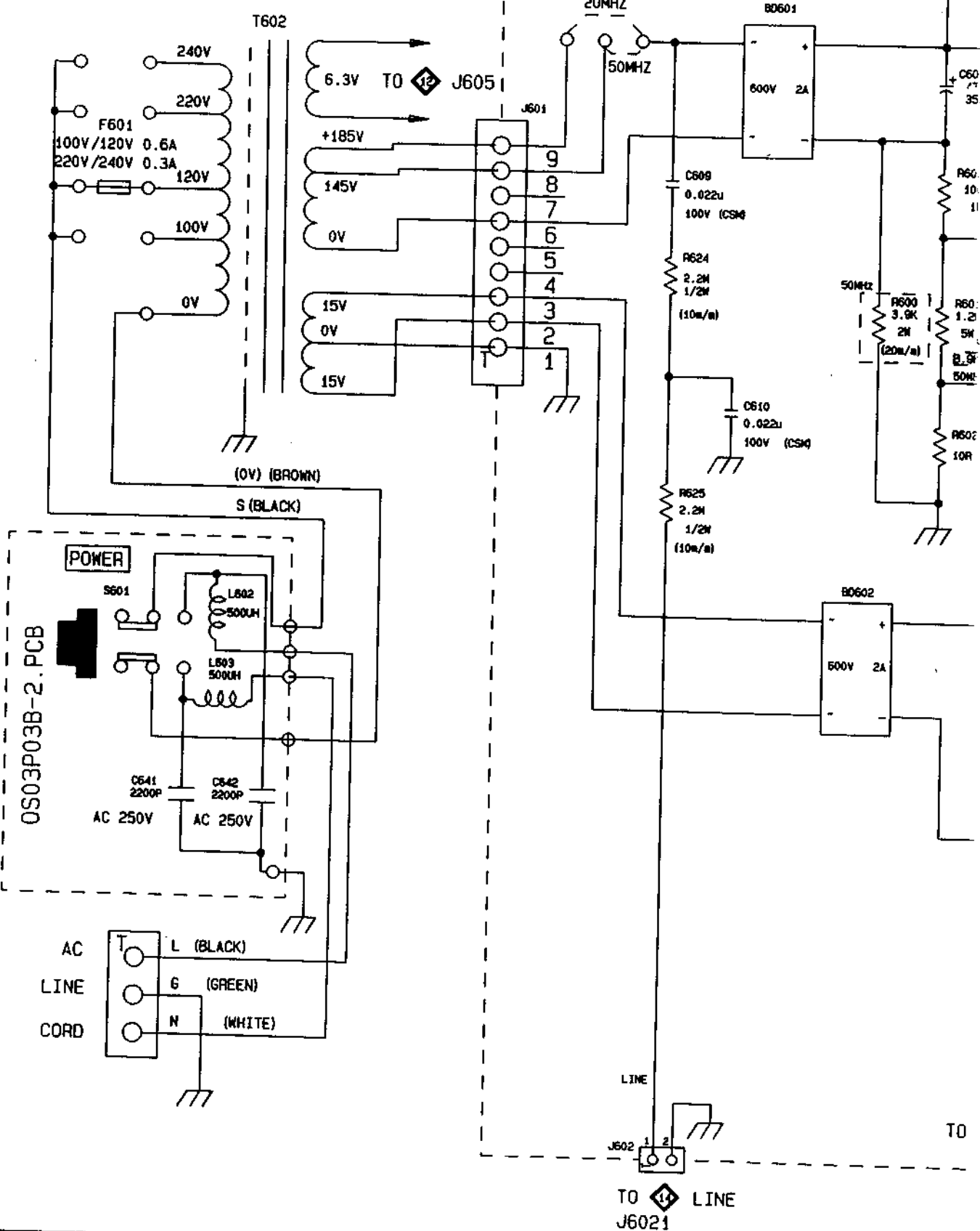
NOTE: *1: R516, R518 1/2W 100KF = 1/2W 49.9KF+49.9KF



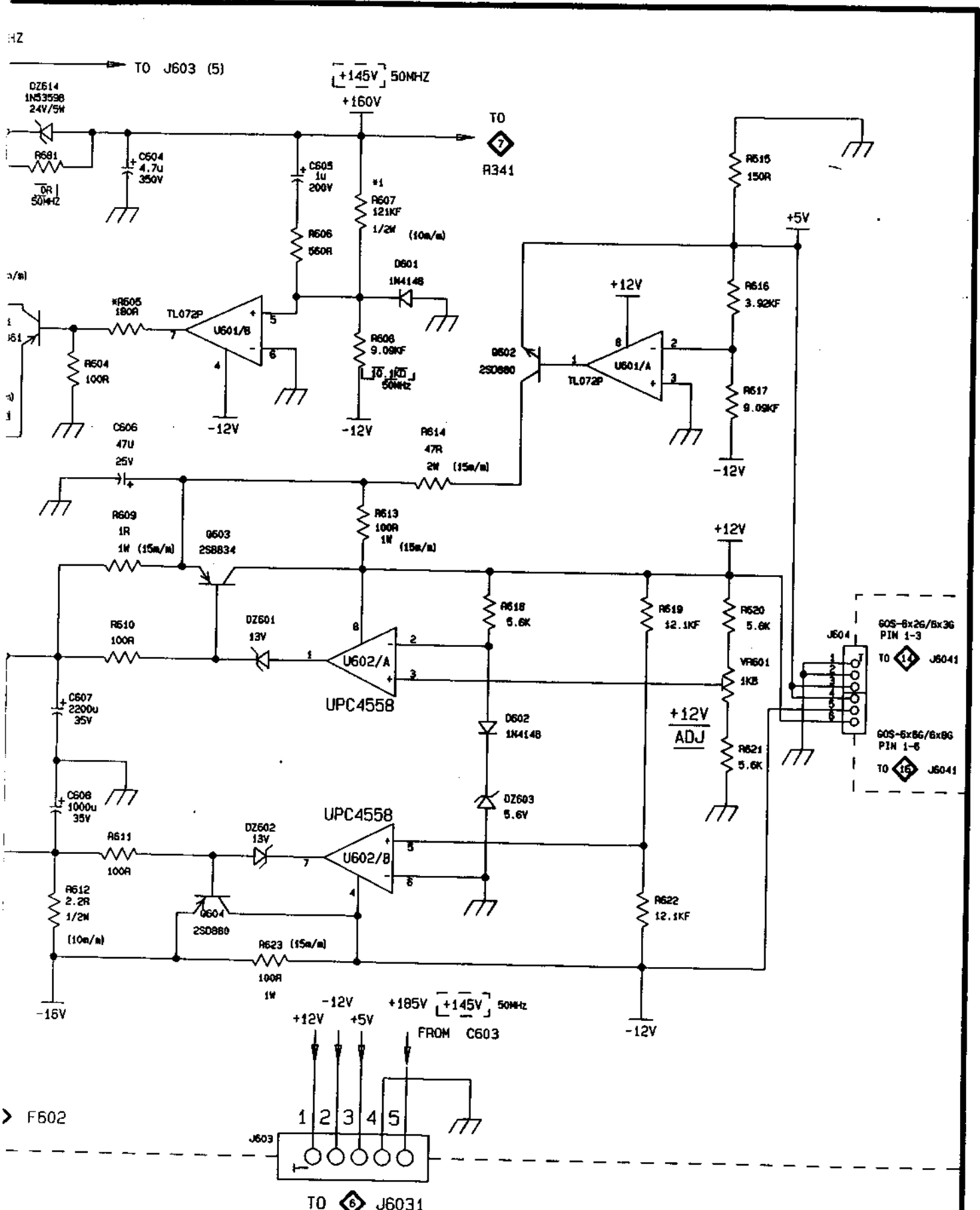
OS03P02B.PCB

DRAWN BY	CHECKED BY	APPROVED BY	MODEL NO	GOS-600G
張明	許	曾	DESCRIPTION	HOR-AMP
85.9.23	85.9.23	85.9.23	DRAWING NO	<10>

LINE VOLTAGE SELECTOR

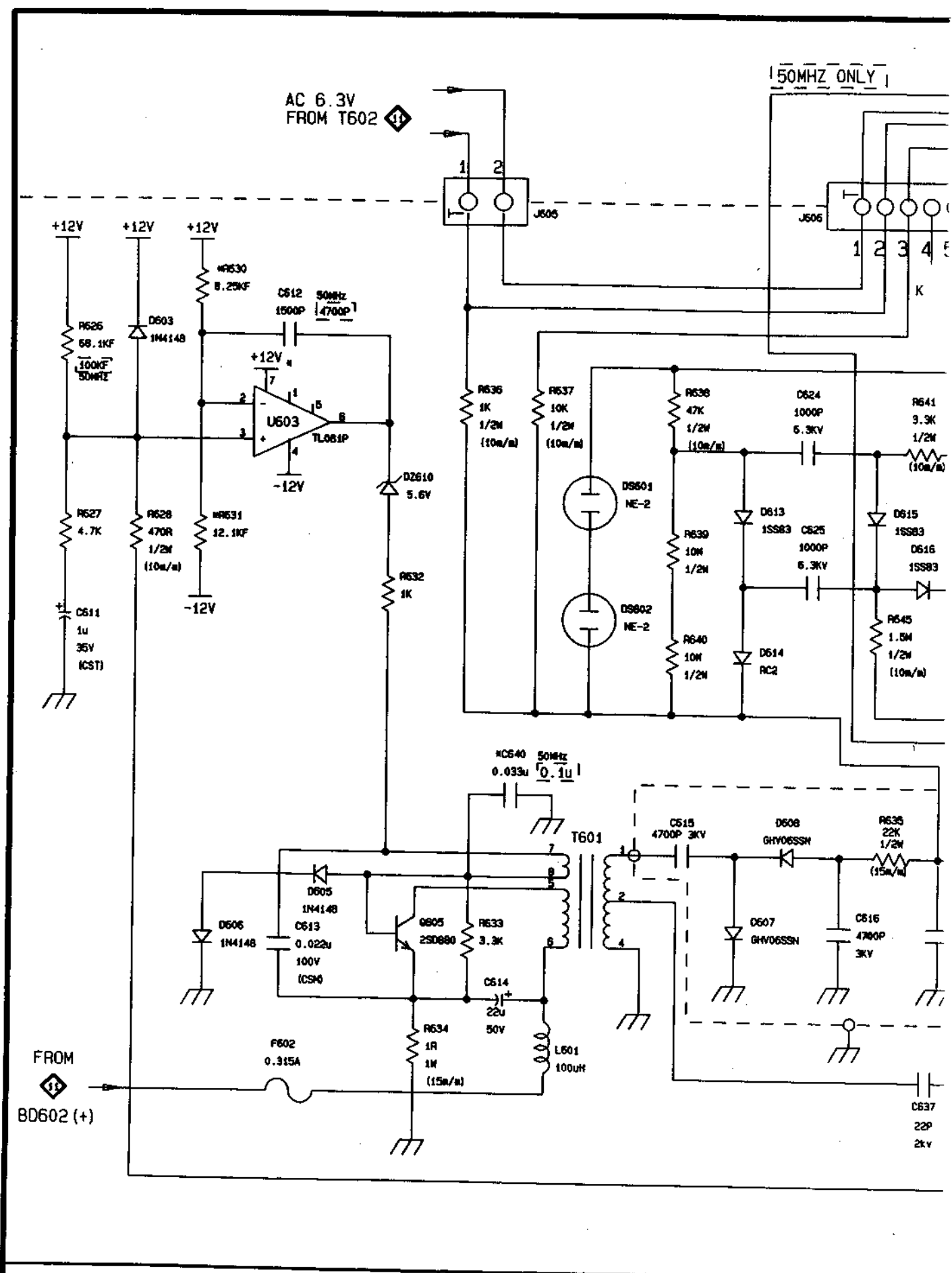


NOTE: *1R607 1/2W 121KF = 1/2W 60.4KF+60.4KF



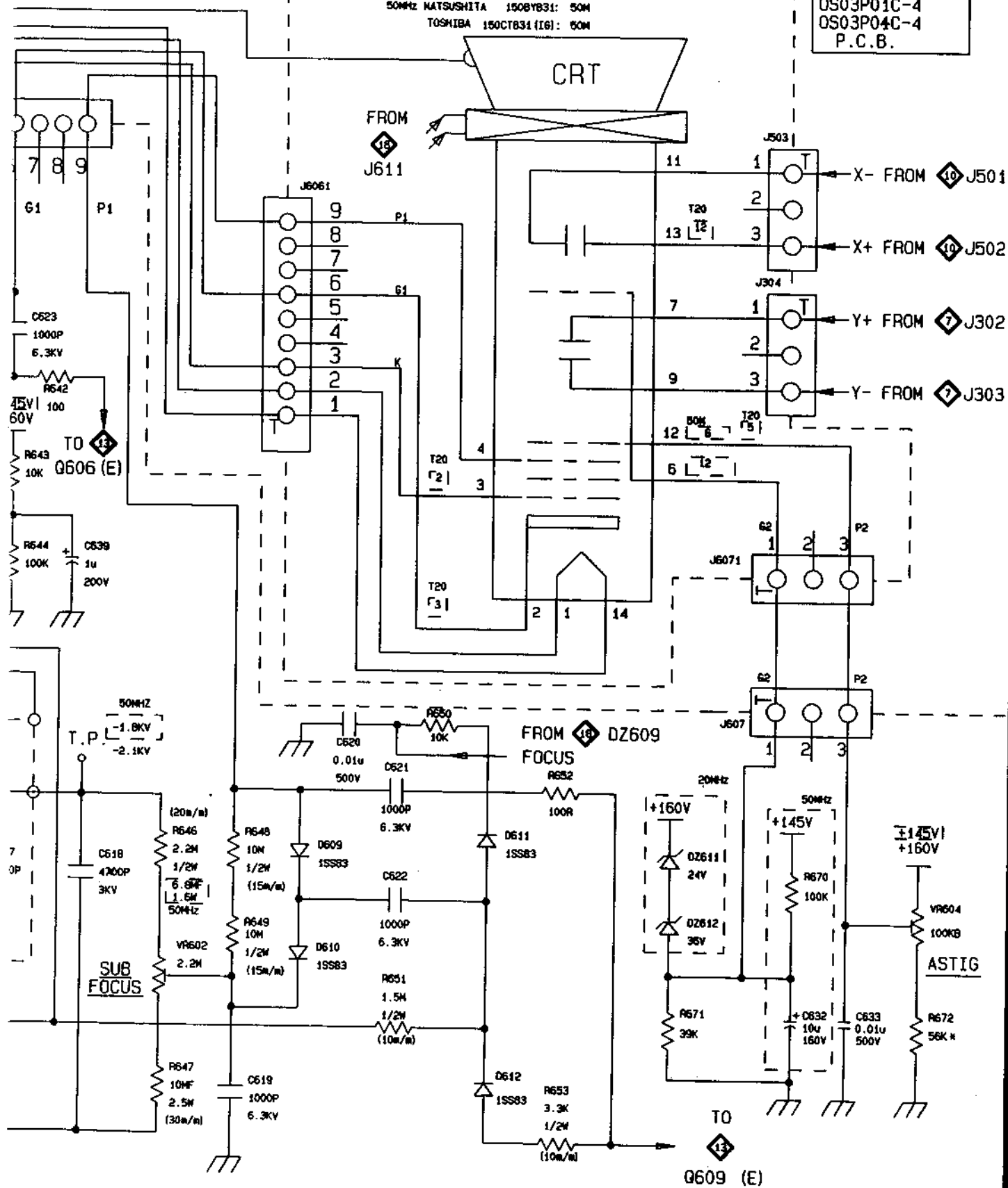
OS03P03B.PCB

DRAWN BY	CHECKED BY	APPROVED BY	MODEL NO	GOS-600G
謝	許	唐	DESCRIPTION	ANALOG POWER
85.9.16	85.9.16	85.9.16	DRAWING NO	<11>
意明	孟海	雲		



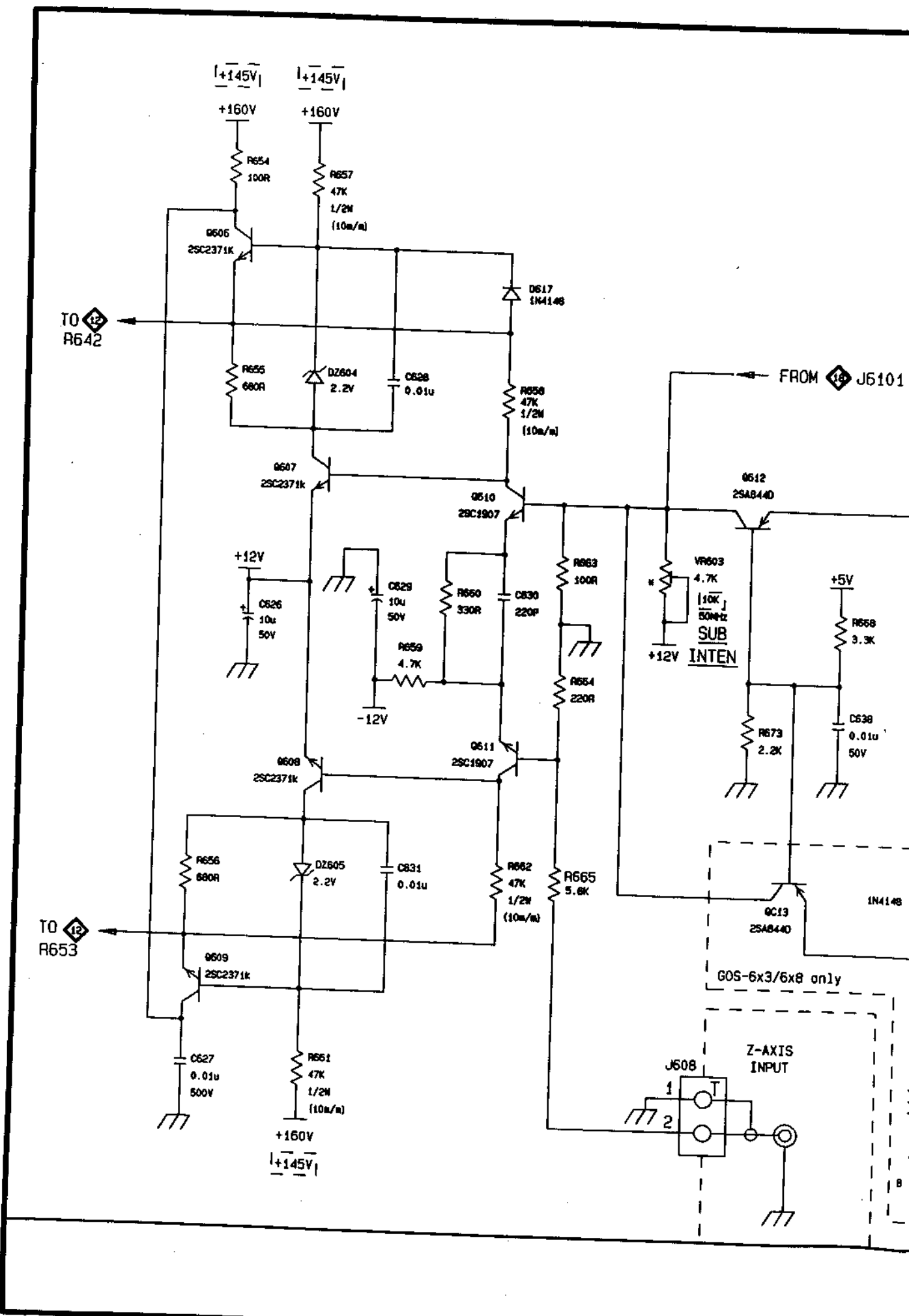
20MHz PHILIPS D14-363GY/123: P20
 TOSHIBA 150BT831 (IG): T20, J606/J6061 PIN 3, 6 CHANGE
 50MHz MATSUSHITA 150BT831: 50M
 TOSHIBA 150CT831 (IG): 50M

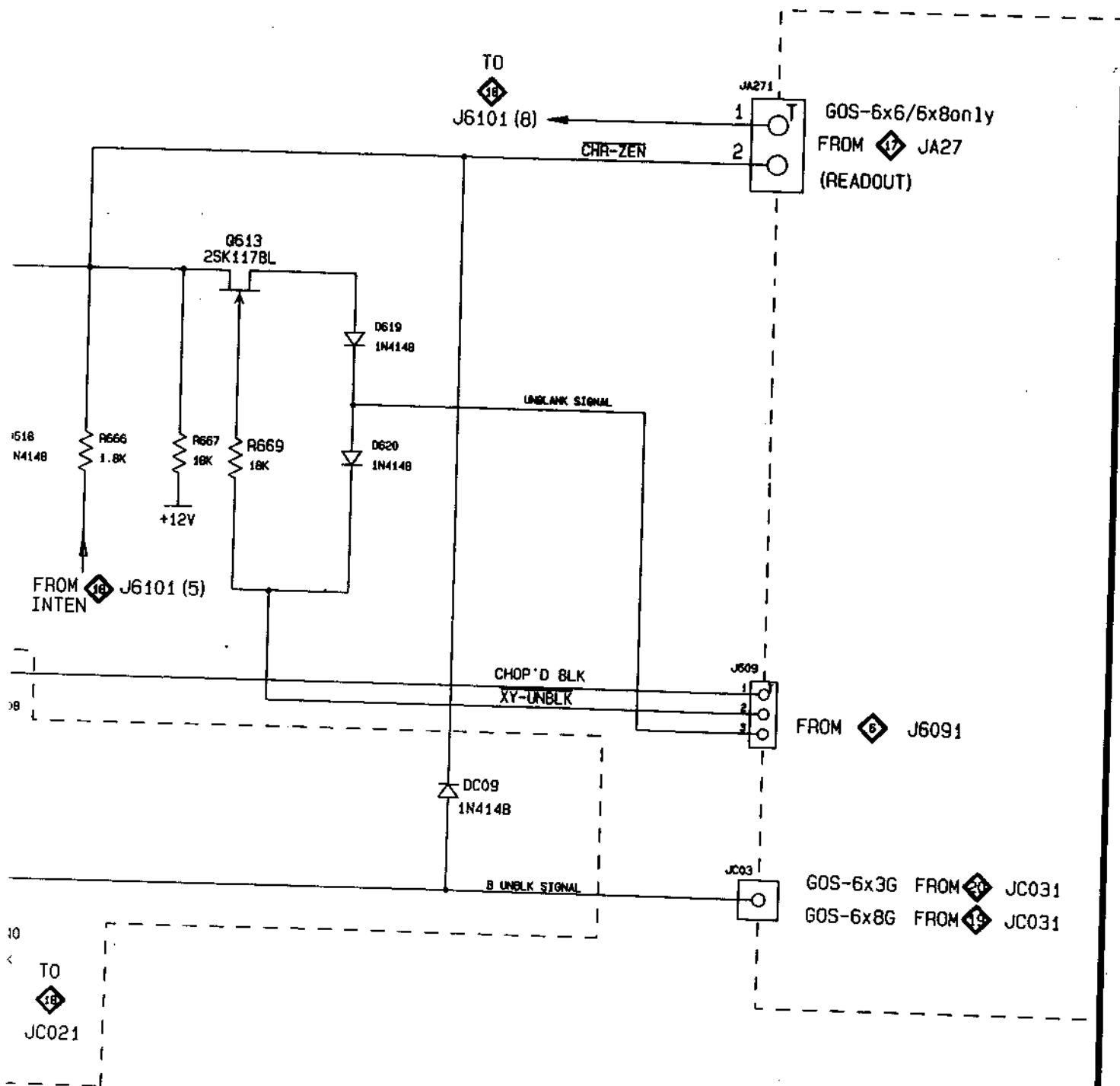
GOS-6x2G/6x3G
 GOS-6x6G/6x8G
 OS03P01C-4
 OS03P04C-4
 P.C.B.



OS03P03B.PCB

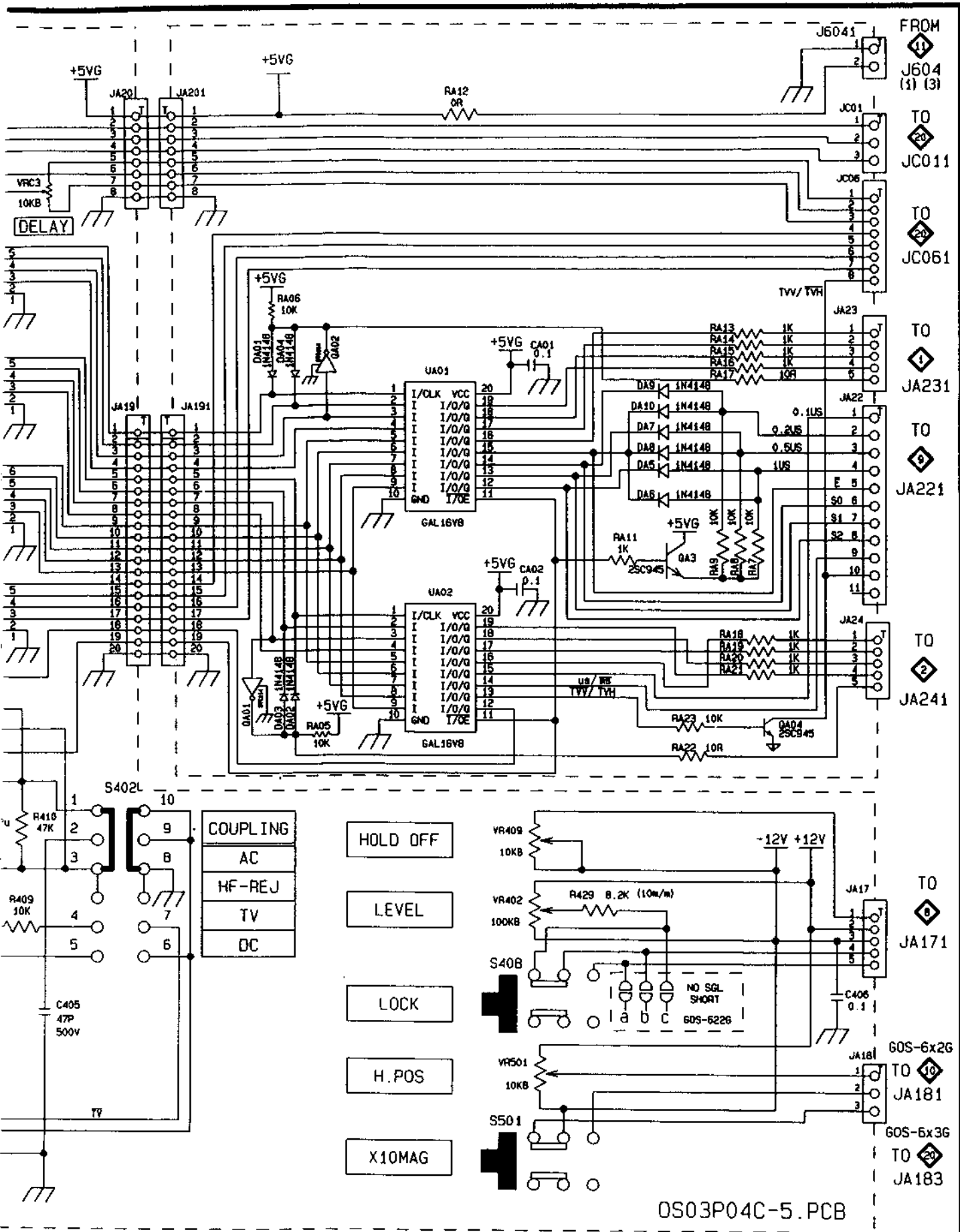
DRAWN BY	CHECKED BY	APPROVED BY	MODEL NO	GOS-600G
謝 (85.9.16)	許 (85.9.16)	廖 (85.9.16)	DESCRIPTION	H.V. & CRT
			DRAWING NO	<12>



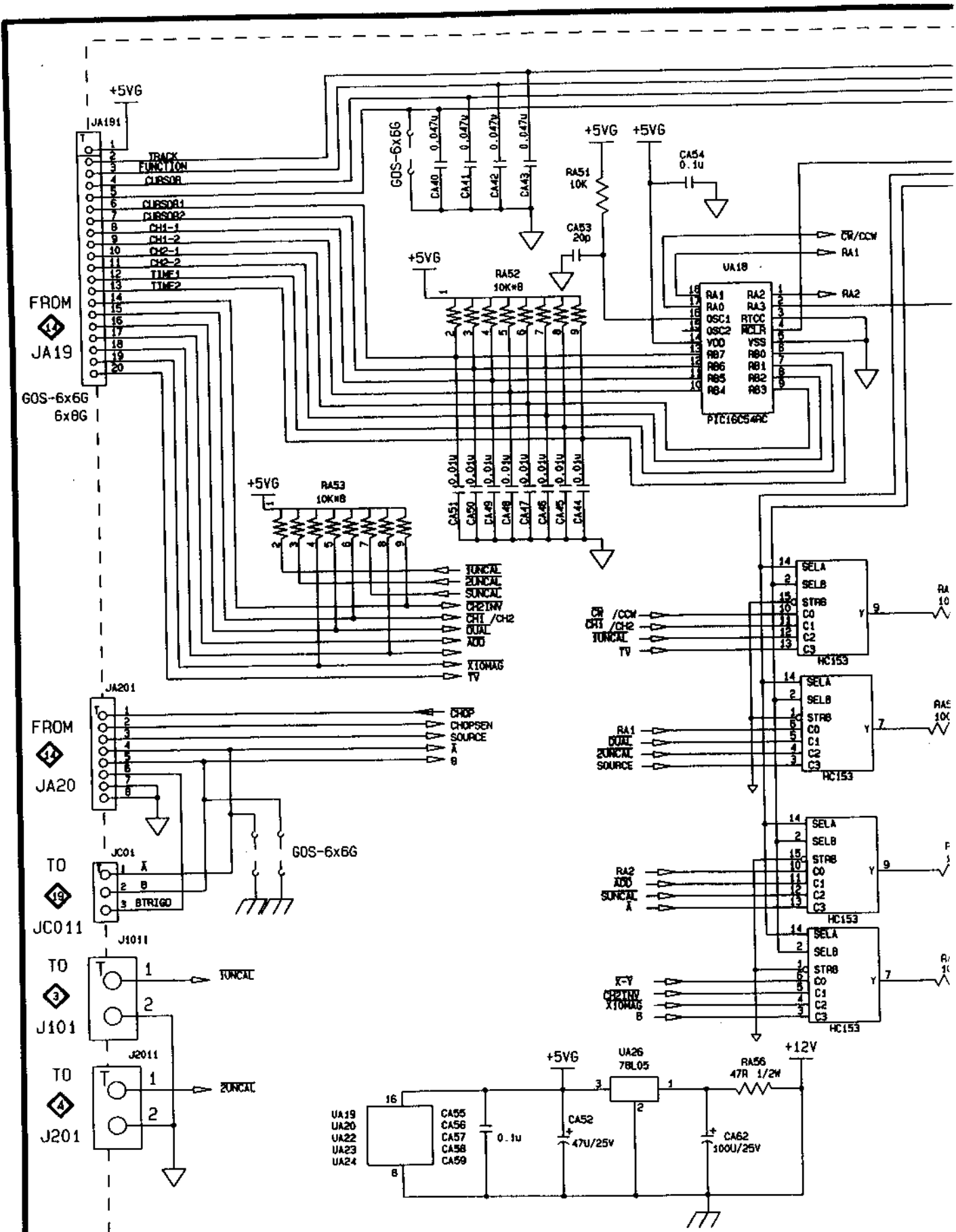


OS03P03B.PCB

DRAWN BY	CHECKED BY	APPROVED BY	MODEL NO	GOS-600G
謝 85.9.16 意明	許 85.9.16 志鴻	曾 85.9.16 輝揚	DESCRIPTION	Z-AXIS AMP.
			DRAWING NO	<13>



DRAWN BY 謝 85.9.16 黃剛	CHECKED BY 許 85.9.16 王漢	APPROVED BY 曾 85.9.16 煥揚	MODEL NO GOS-6x26/6x36	DESCRIPTION PANEL
			DRAWING NO <14>	

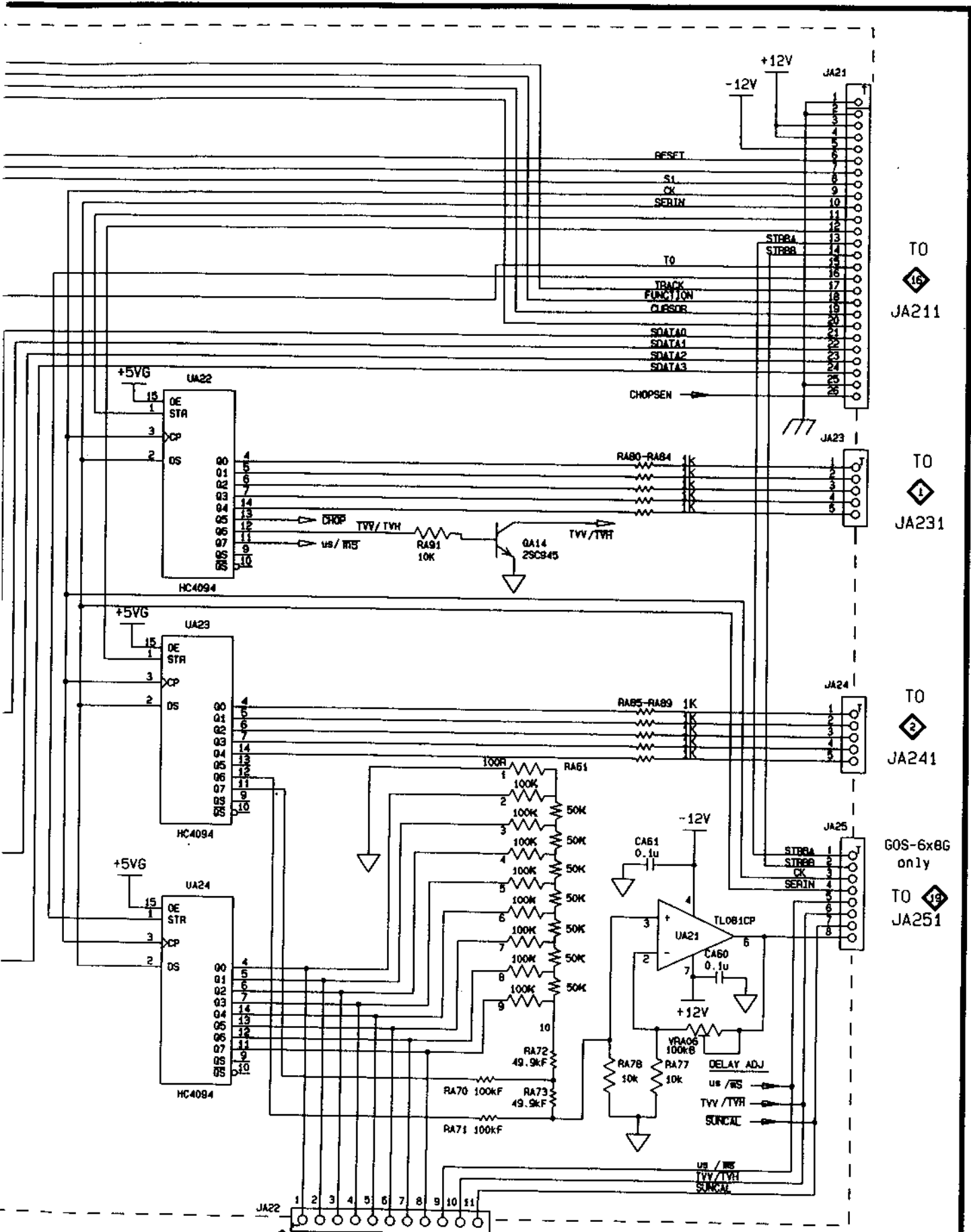


+5VG
 JA191
 1 TRACK
 2 FUNCTION
 3 CURSOR
 4 CURSOR1
 5 CURSOR2
 6 CH1-1
 7 CH1-2
 8 CH2-1
 9 CH2-2
 10 TIME1
 11 TIME2
 12
 13
 14
 15
 16
 17
 18
 19
 20
 FROM
 JA19
 GOS-6x6G
 6x6G

JA201
 FROM
 JA20
 TO
 JC01
 1 A
 2 B
 3 BTRIGD
 GOS-6x6G
 TO
 J1011
 1 TUNCAL
 2 ZUNCAL
 TO
 J101
 TO
 J2011
 1 TUNCAL
 2 ZUNCAL
 TO
 J201

+5VG
 UA26 78L05
 16
 CA55
 CA56
 CA57
 CA58
 CA59
 0.1u
 CA52 47u/25V
 3
 1
 2
 +12V
 RA56 47R 1/2W
 CA62 100u/25V
 UA19
 UA20
 UA22
 UA23
 UA24

RA 10
 RA2 10K
 F
 RA 11
 RA1
 RA2
 CR/CCW
 CH1/CH2
 TUNCAL
 TV
 RA1
 ZUNCAL
 SOURCE
 RA2
 ADD
 ZUNCAL
 A
 K-Y
 CR/CCW
 XTONAG
 B
 SELA
 SELB
 STRB
 CO
 C1
 C2
 C3
 Y 9
 Y 7
 Y 9
 Y 7
 HC153
 HC153
 HC153
 HC153



TO
 15
 JA211

TO
 1
 JA231

TO
 2
 JA241

GOS-6x8G
 only
 TO
 19
 JA251

TO 9 JA221 GOS-6x6G only

OS03P01C.PCB

DRAWN BY

CHECKED BY

APPROVED BY

MODEL NO

GOS-6x6G/6x8G

DESCRIPTION

CONTROL I/O

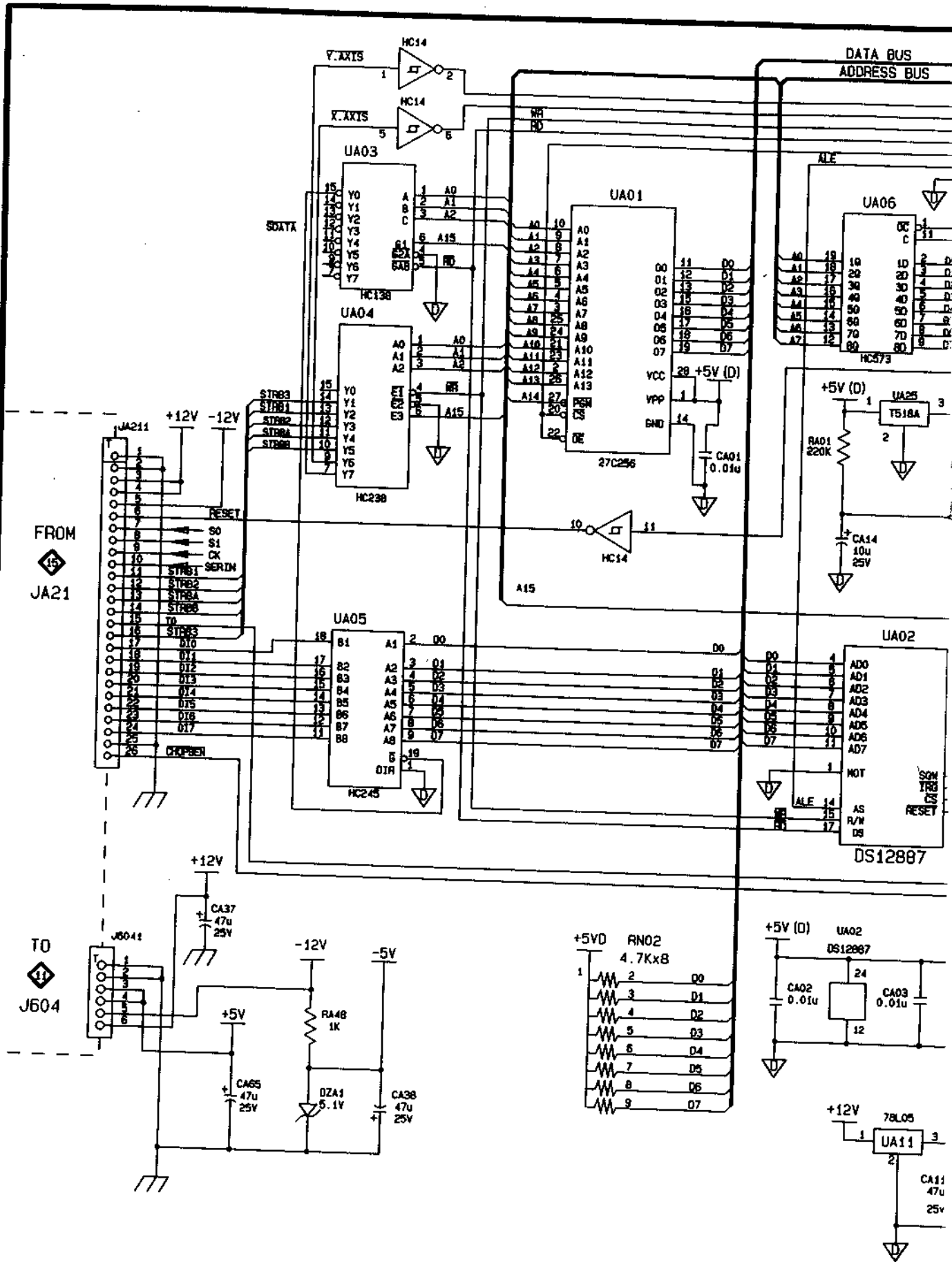
DRAWING NO

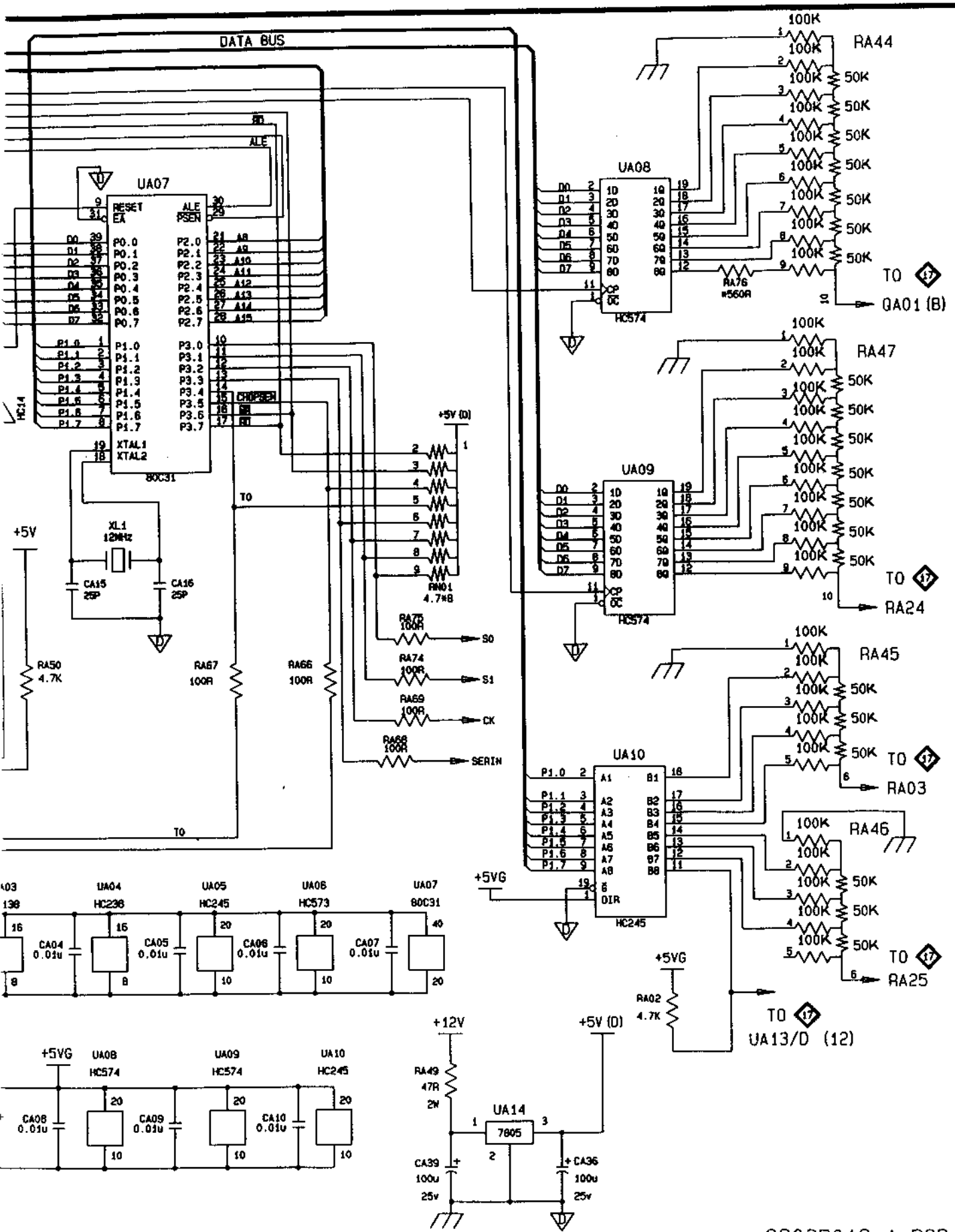
<15>

謝
 85.9.23
 憲明

許
 85.9.23
 孟浩

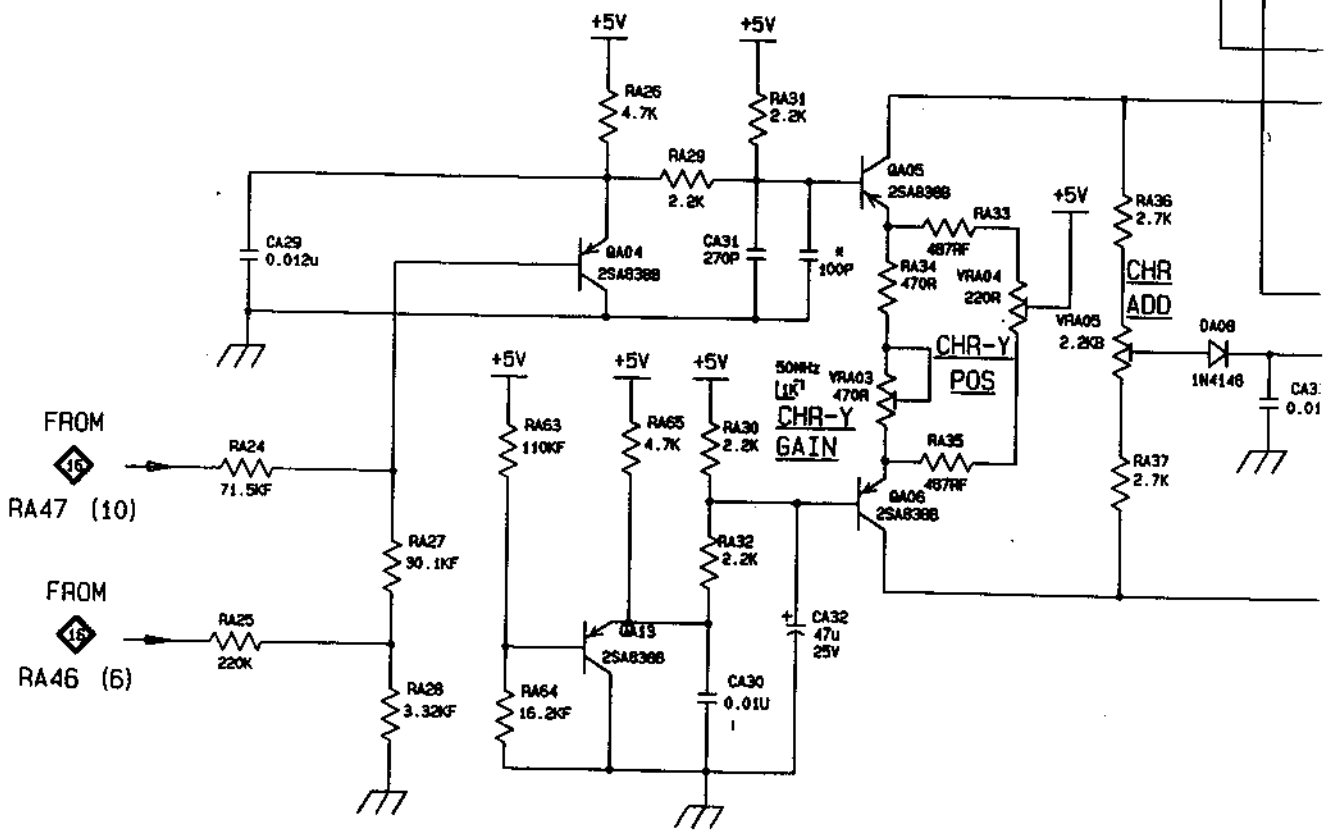
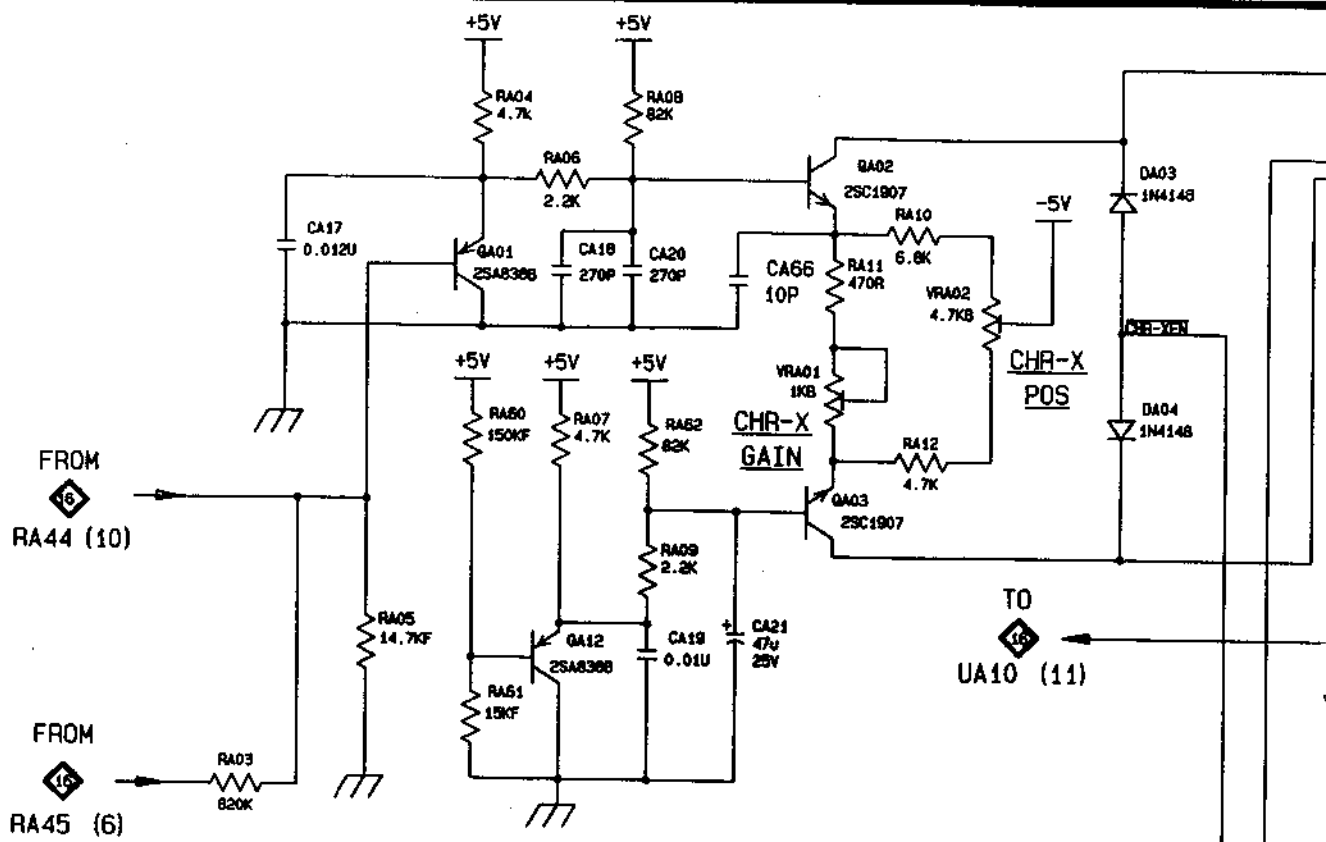
雷
 85.9.23
 煥揚

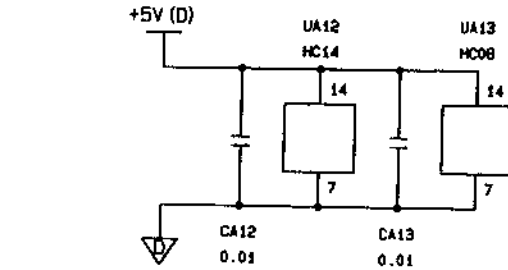
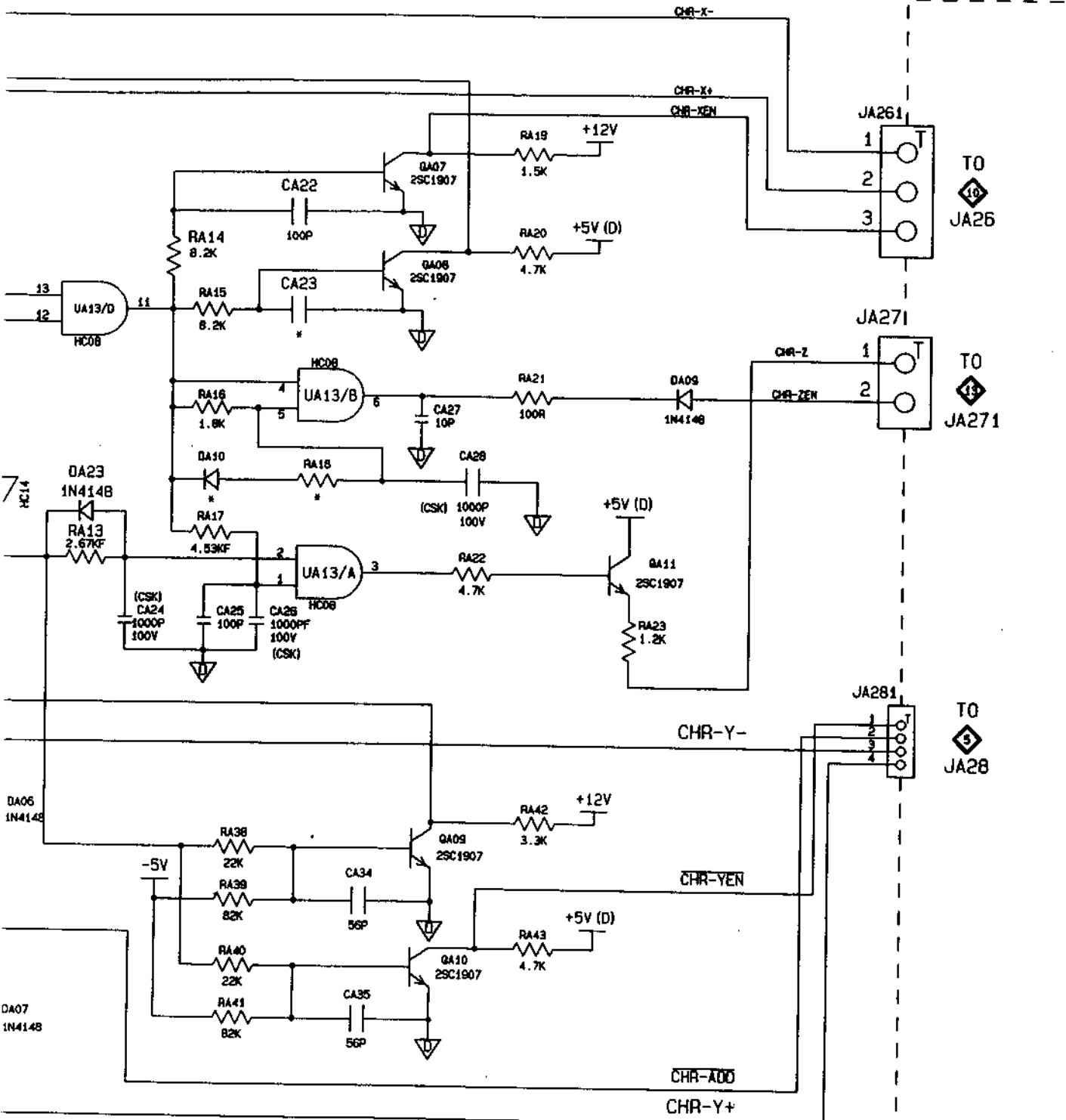




OS03P01C-1.PCB

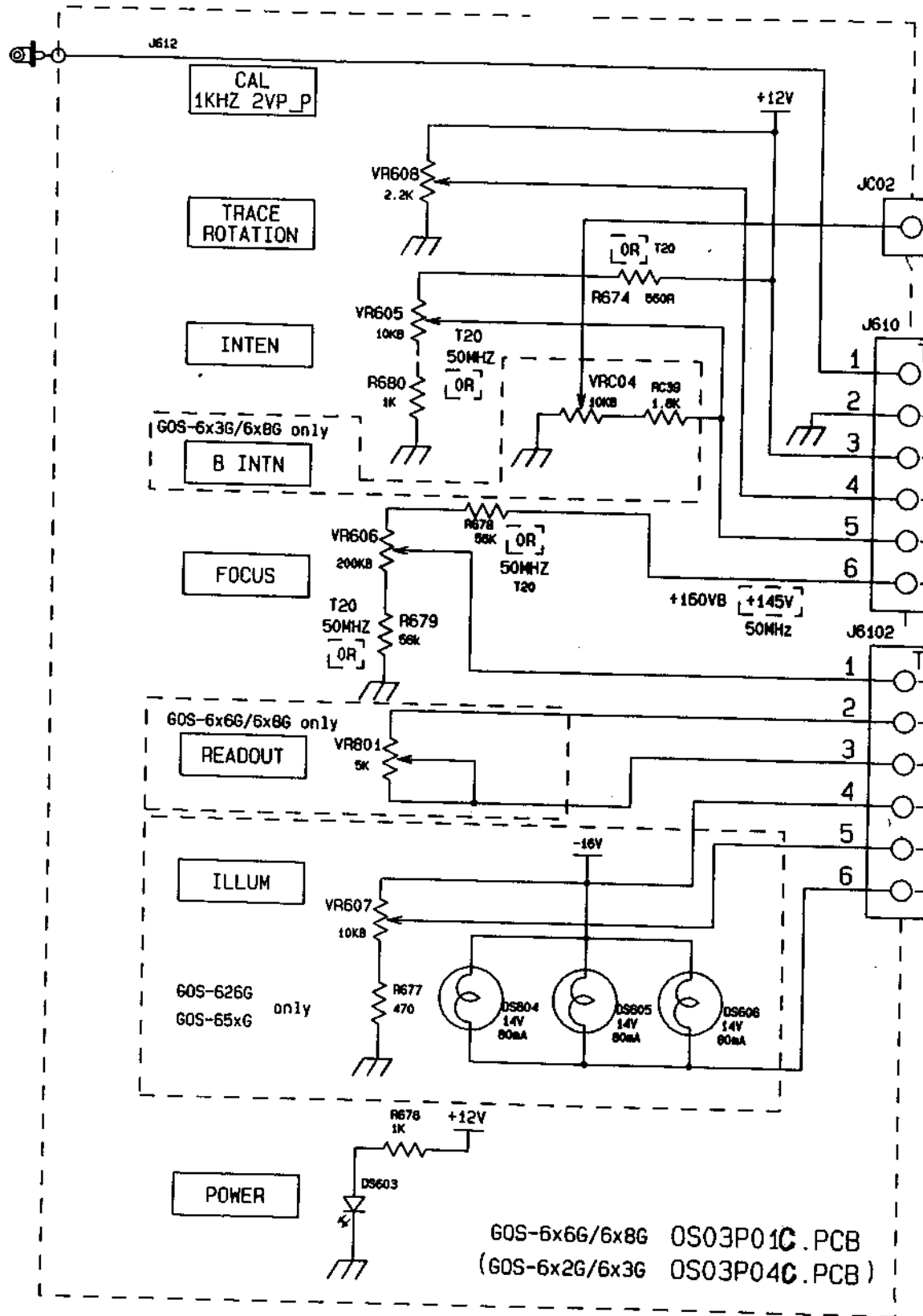
DRAWN BY	CHECKED BY	APPROVED BY	MODEL NO	GOS-6x6G/6x8G
謝	許	曾	DESCRIPTION	READOUT CPU
85.9.23	85.9.23	85.9.23	DRAWING NO	<16>
蔡明	孟海	陳揚		

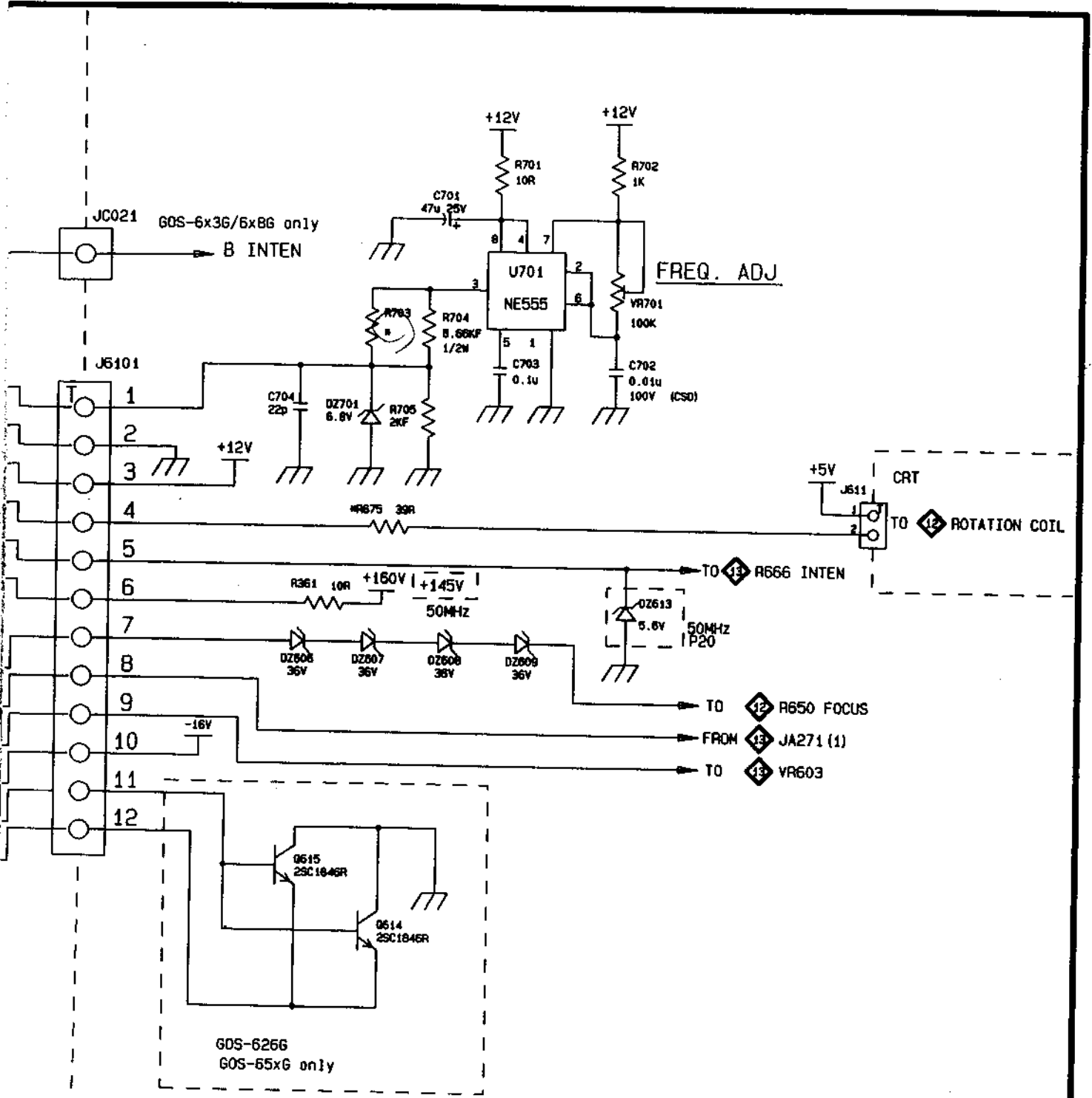




OS03P01C-1.PCB

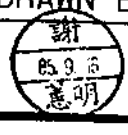


DRAWN BY 	CHECKED BY 	APPROVED BY 	MODEL NO GOS-6x6G/6x8G	DESCRIPTION READOUT AMP
			DRAWING NO <17>	

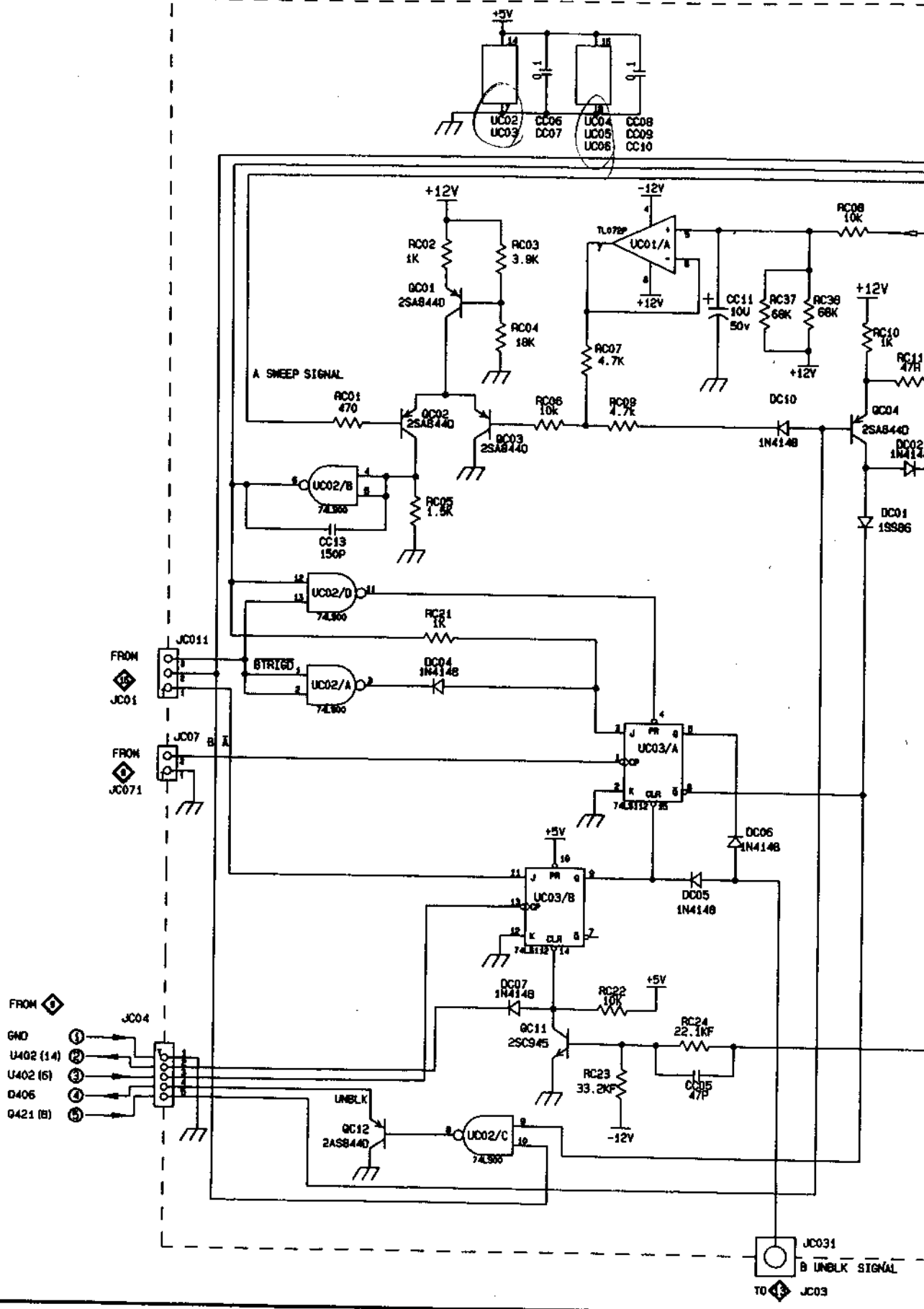


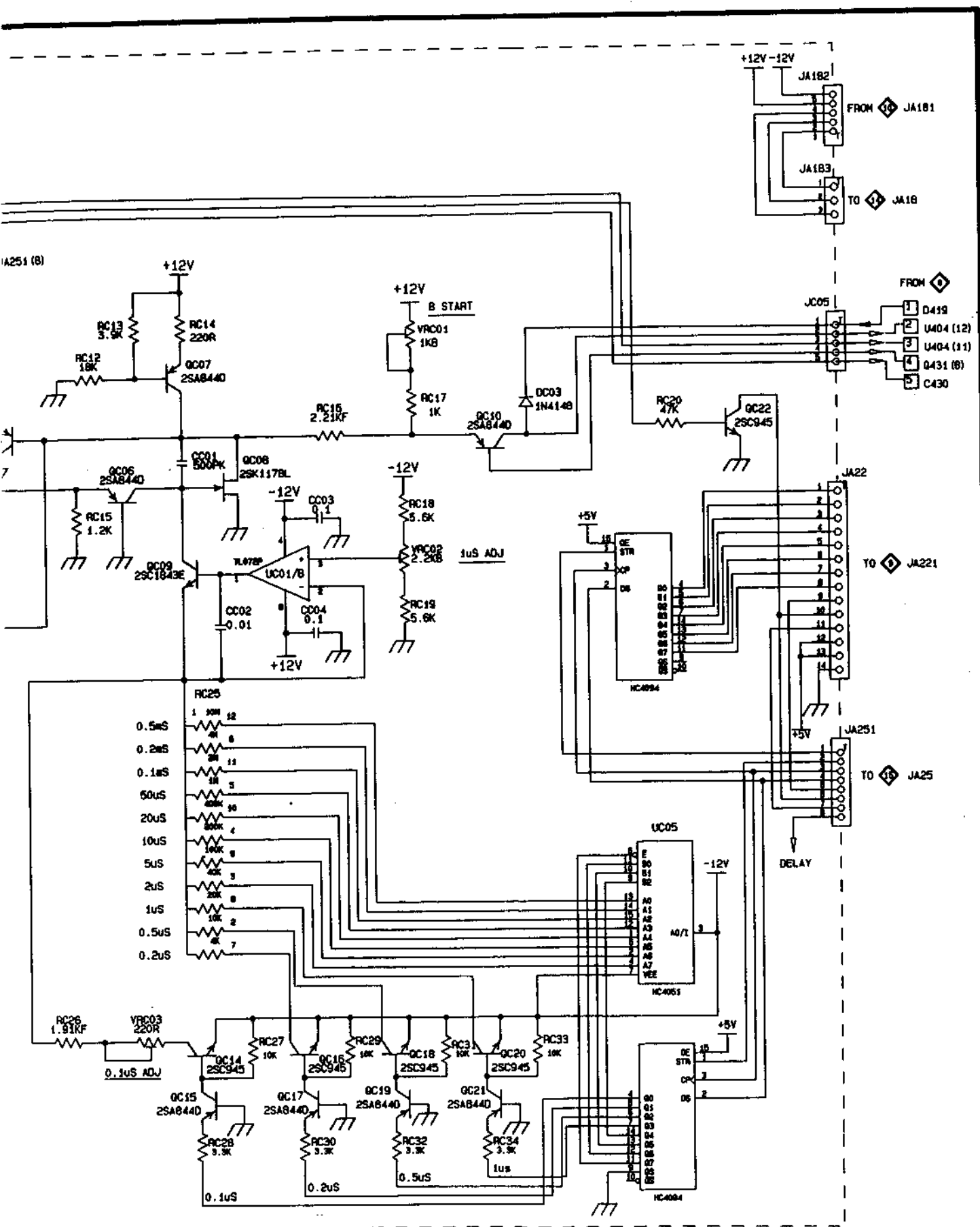


POWER

OS03P03B.PCB

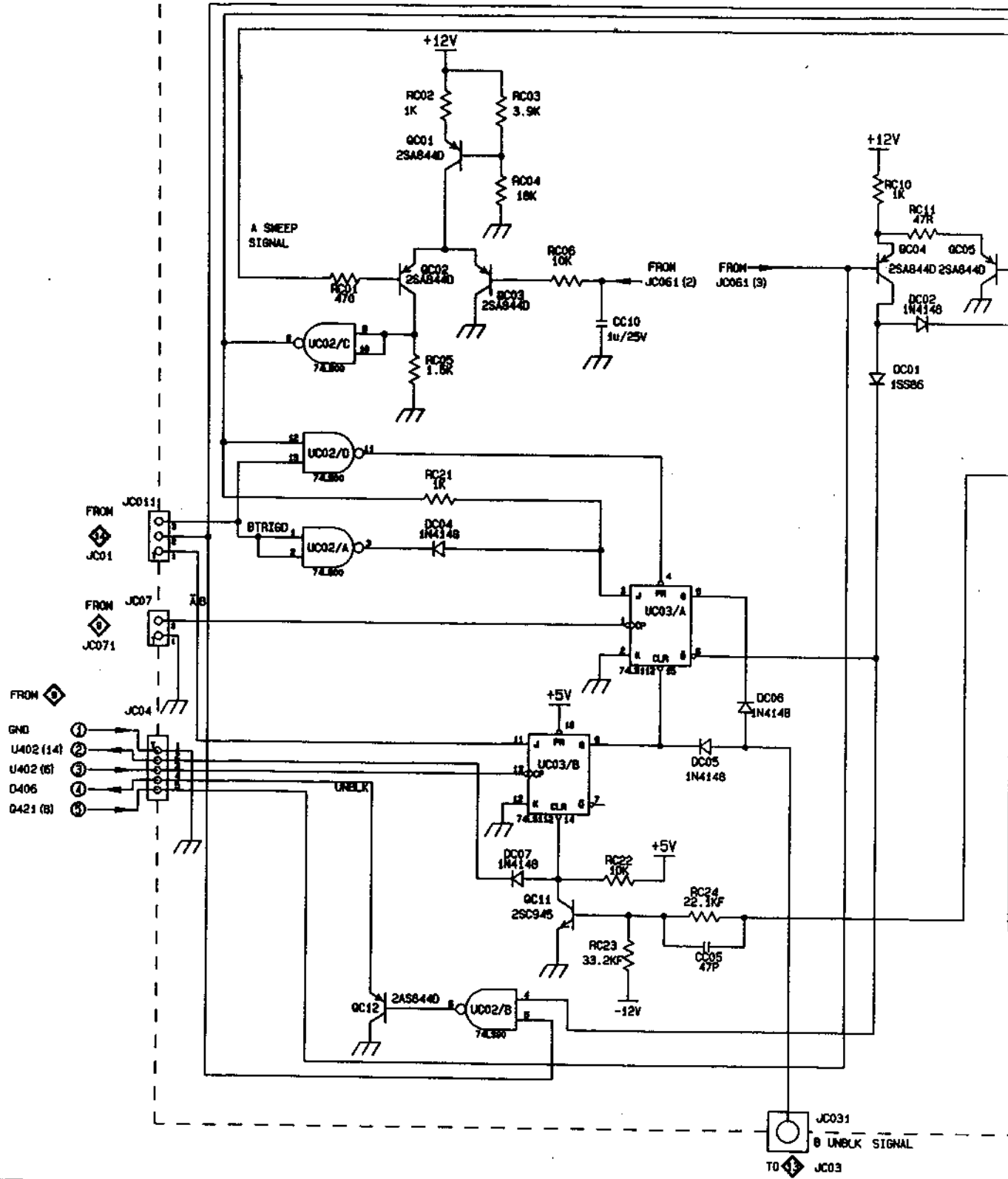
DRAWN BY  85.9.16	CHECKED BY  85.9.16	APPROVED BY  85.9.16	MODEL NO GOS-600G	DESCRIPTION CRT ADJ/CAL
			DRAWING NO <18>	

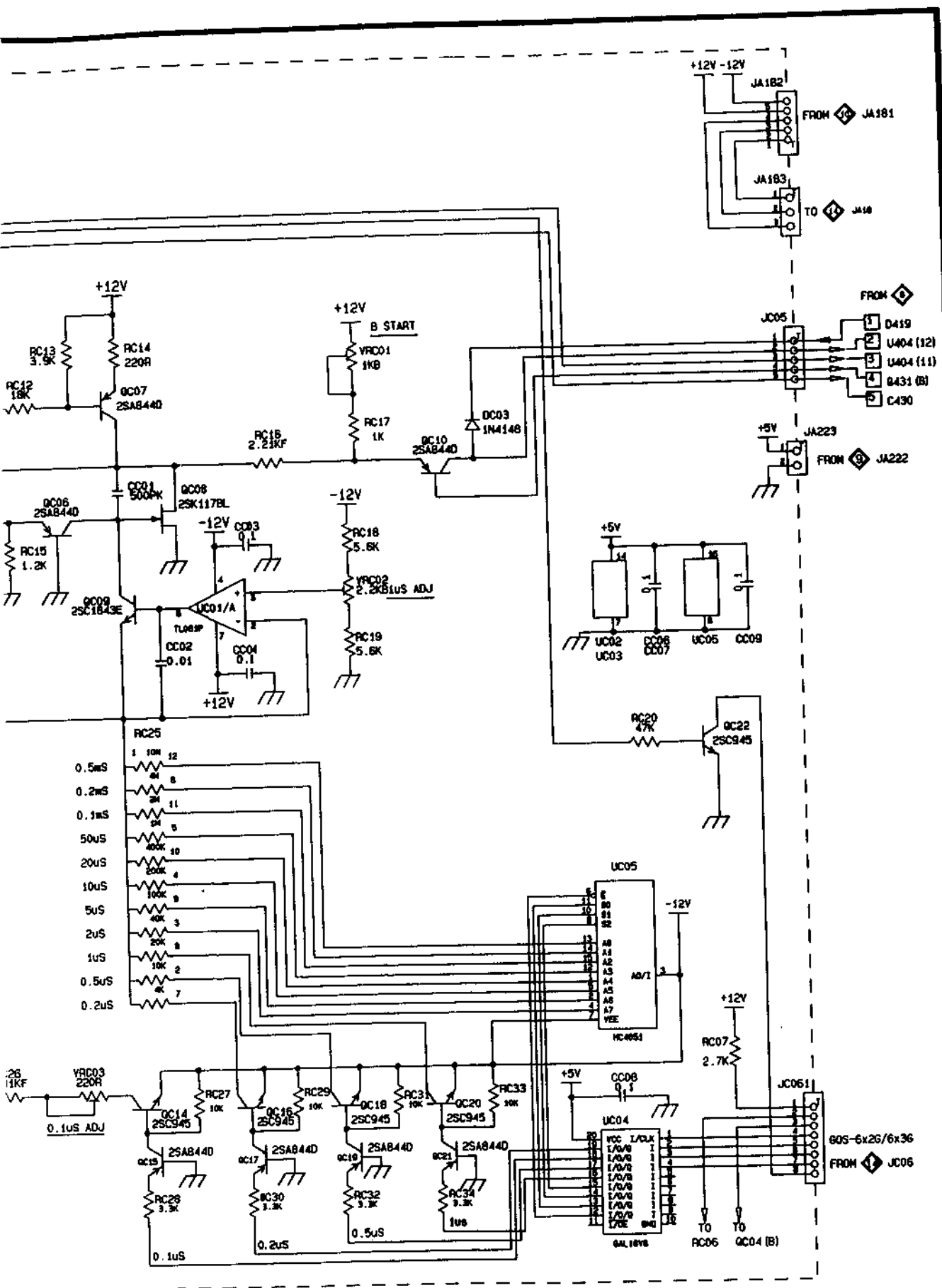







DS03P05D.PCB

DRAWN BY  05.9.15 謝明	CHECKED BY  05.9.15 王浩	APPROVED BY  05.9.15 曾	MODEL NO GOS-6x8G	DESCRIPTION B SWP-GEN+READOUT
			DRAWING NO <19>	





OS03P06C.PCB

DRAWN BY  張明	CHECKED BY  張明	APPROVED BY  張明	MODEL NO GOS-6x3G	DESCRIPTION B SWP-GEN NO READOUT
DRAWING NO <20>				