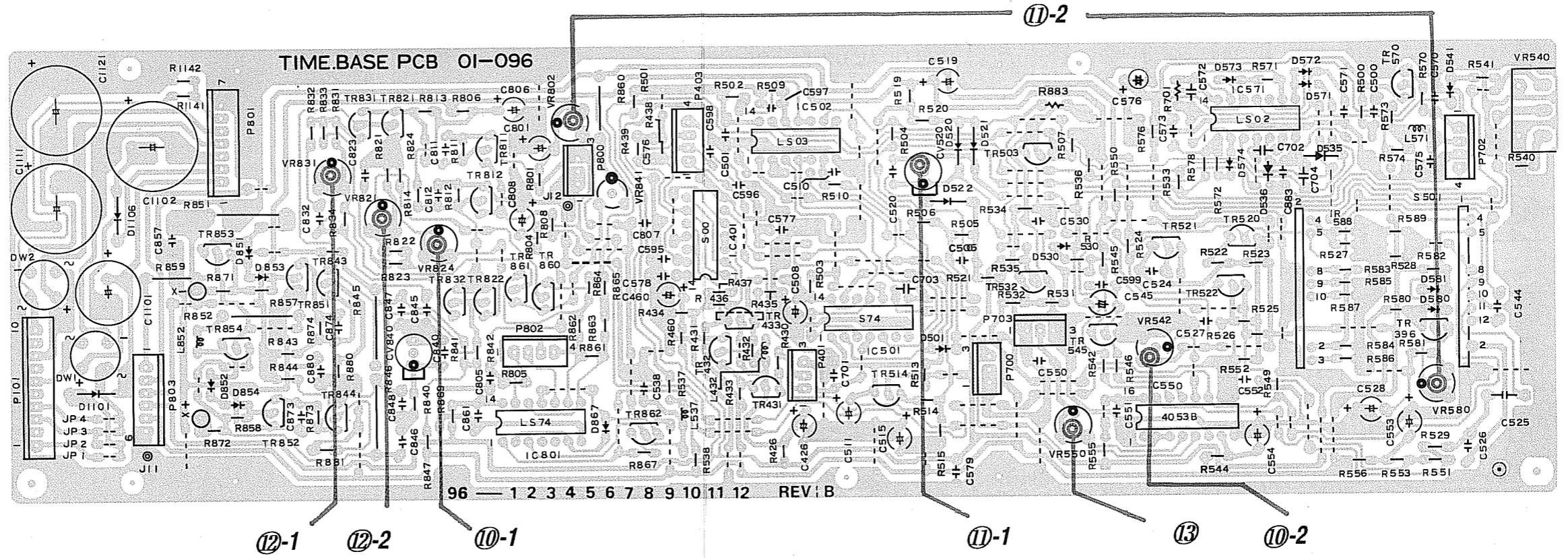
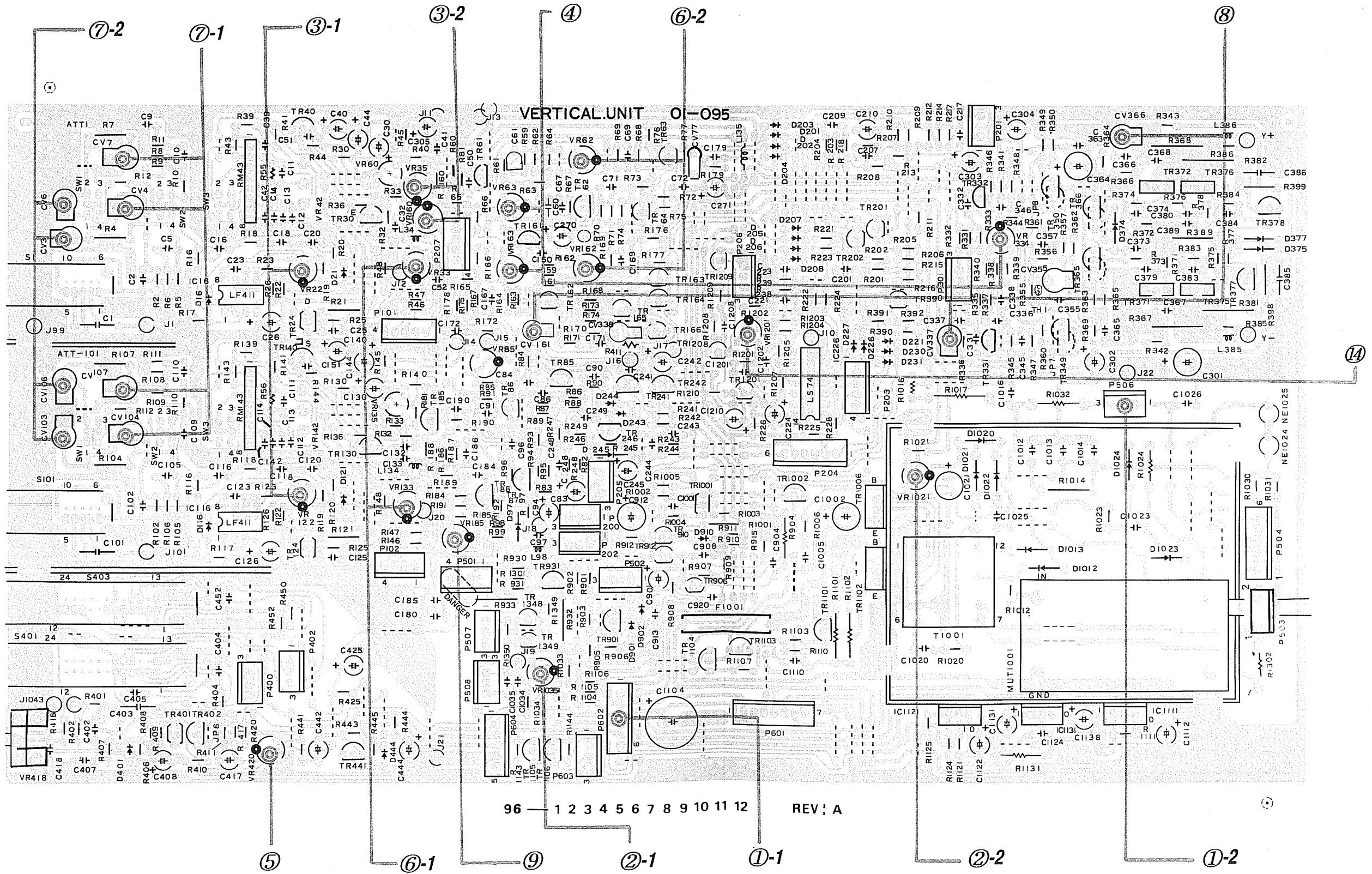


14 Block diagram



13. Electrical parts arrangement



A

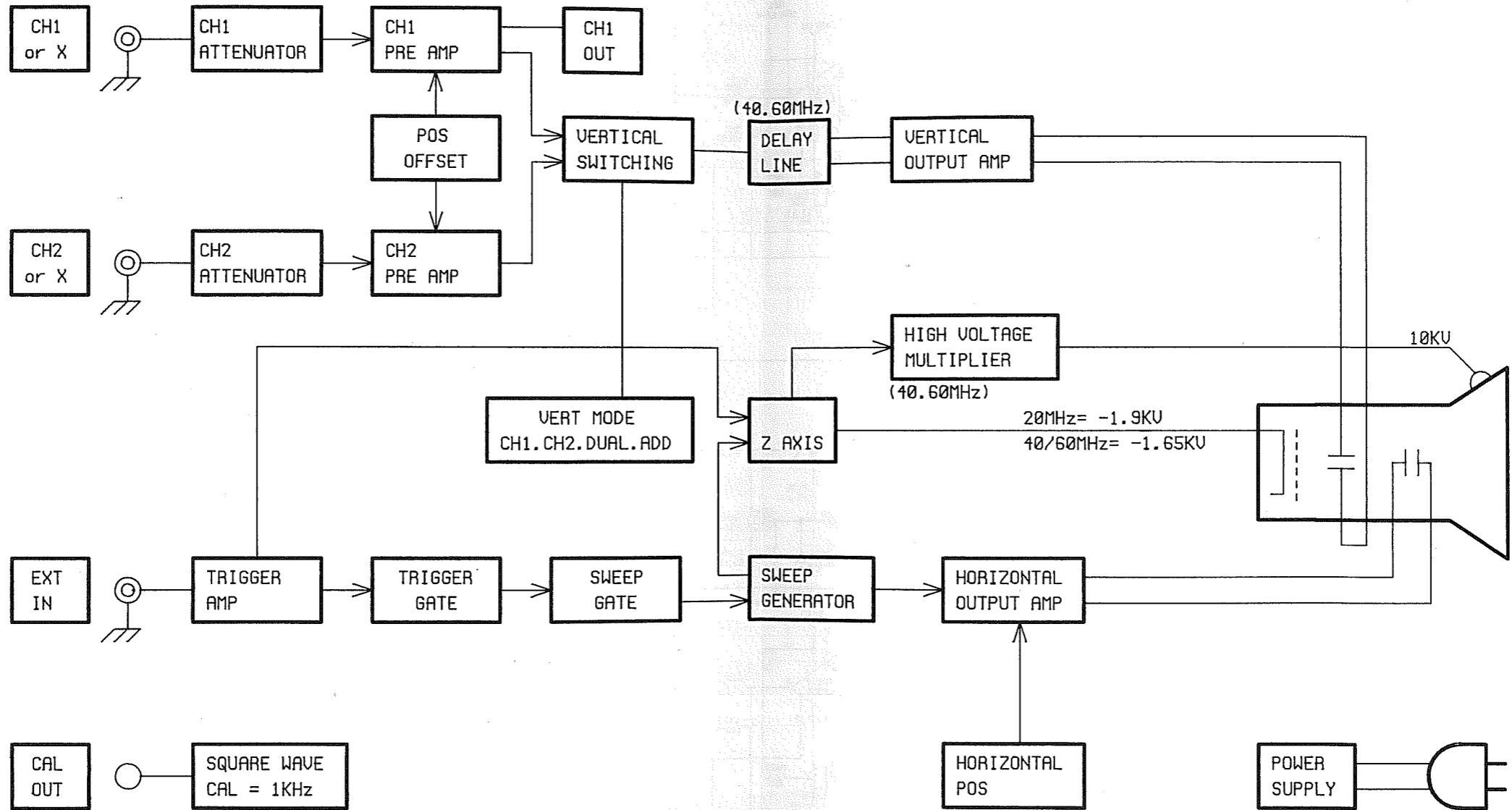
B

C

D

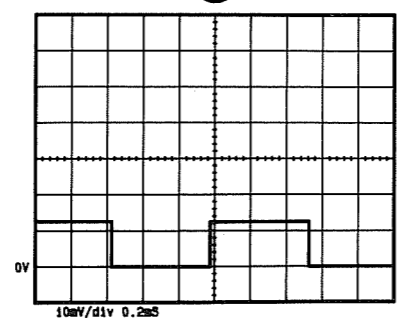
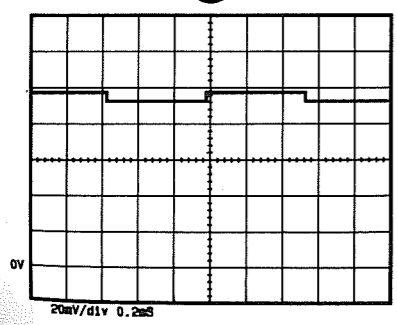
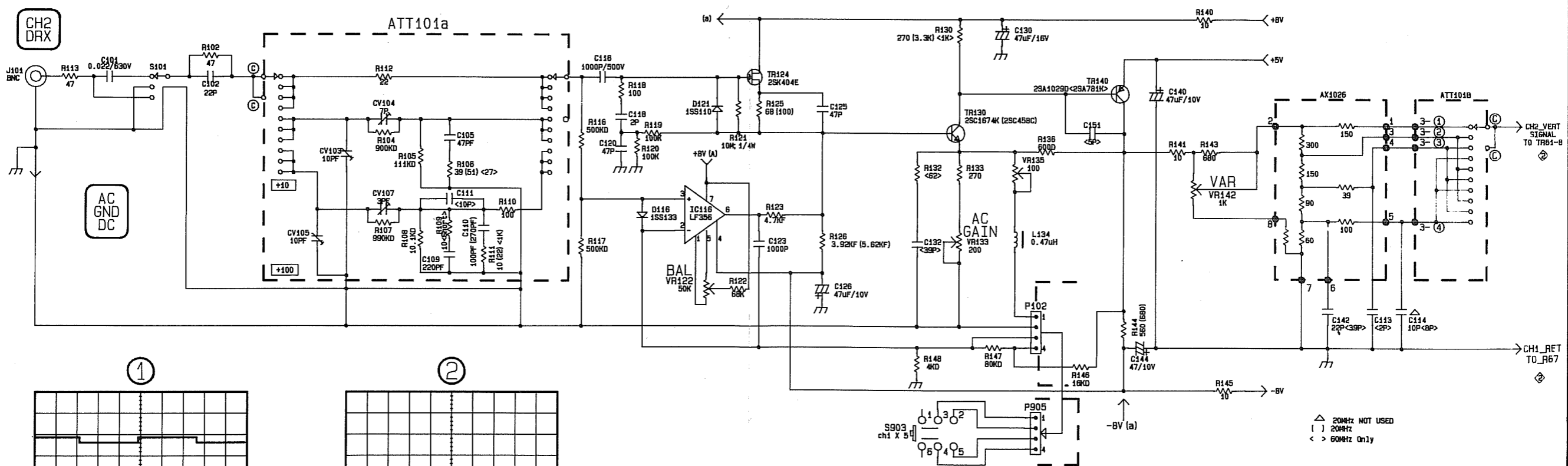
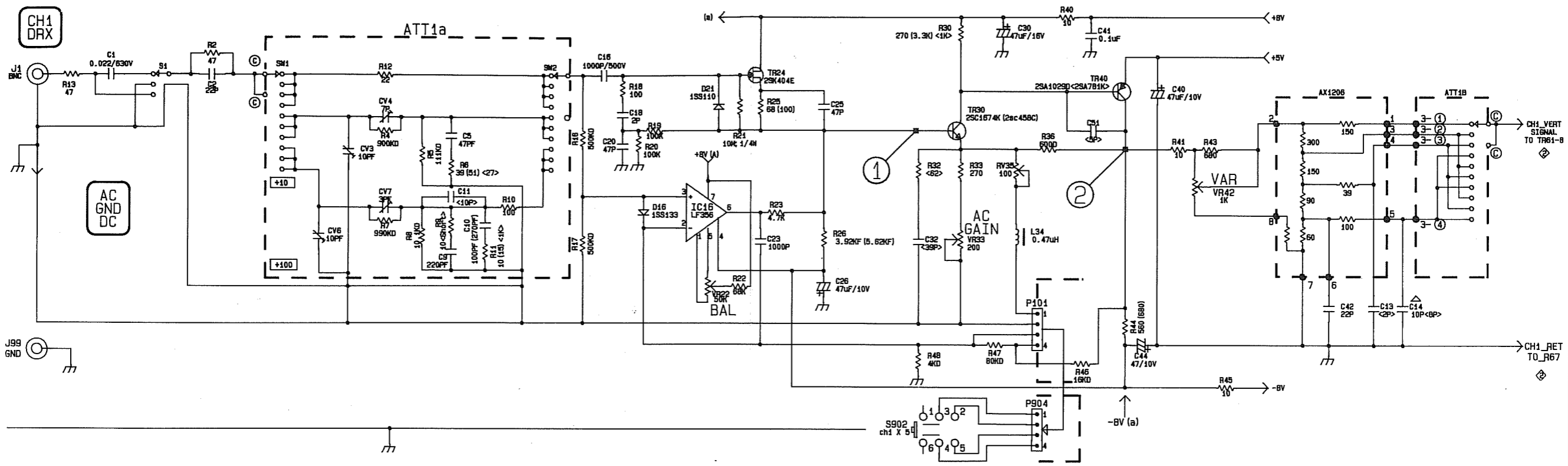
E

F



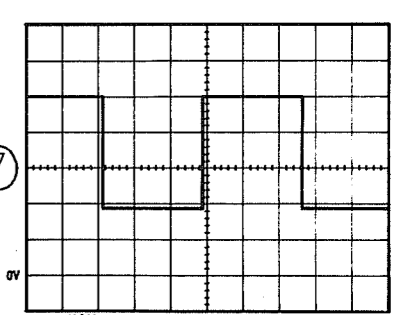
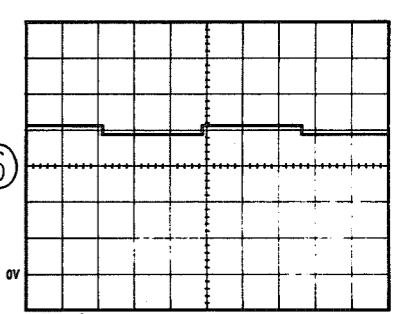
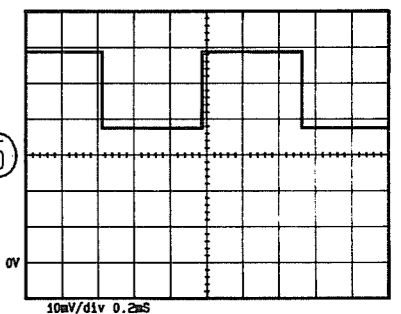
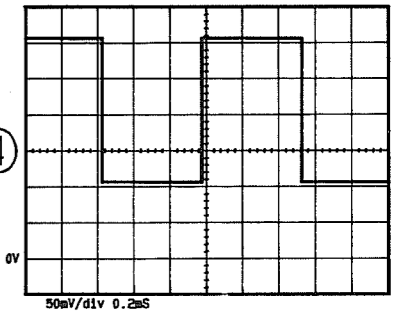
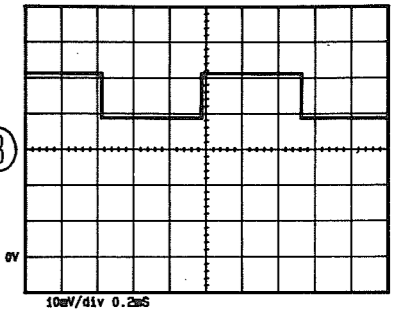
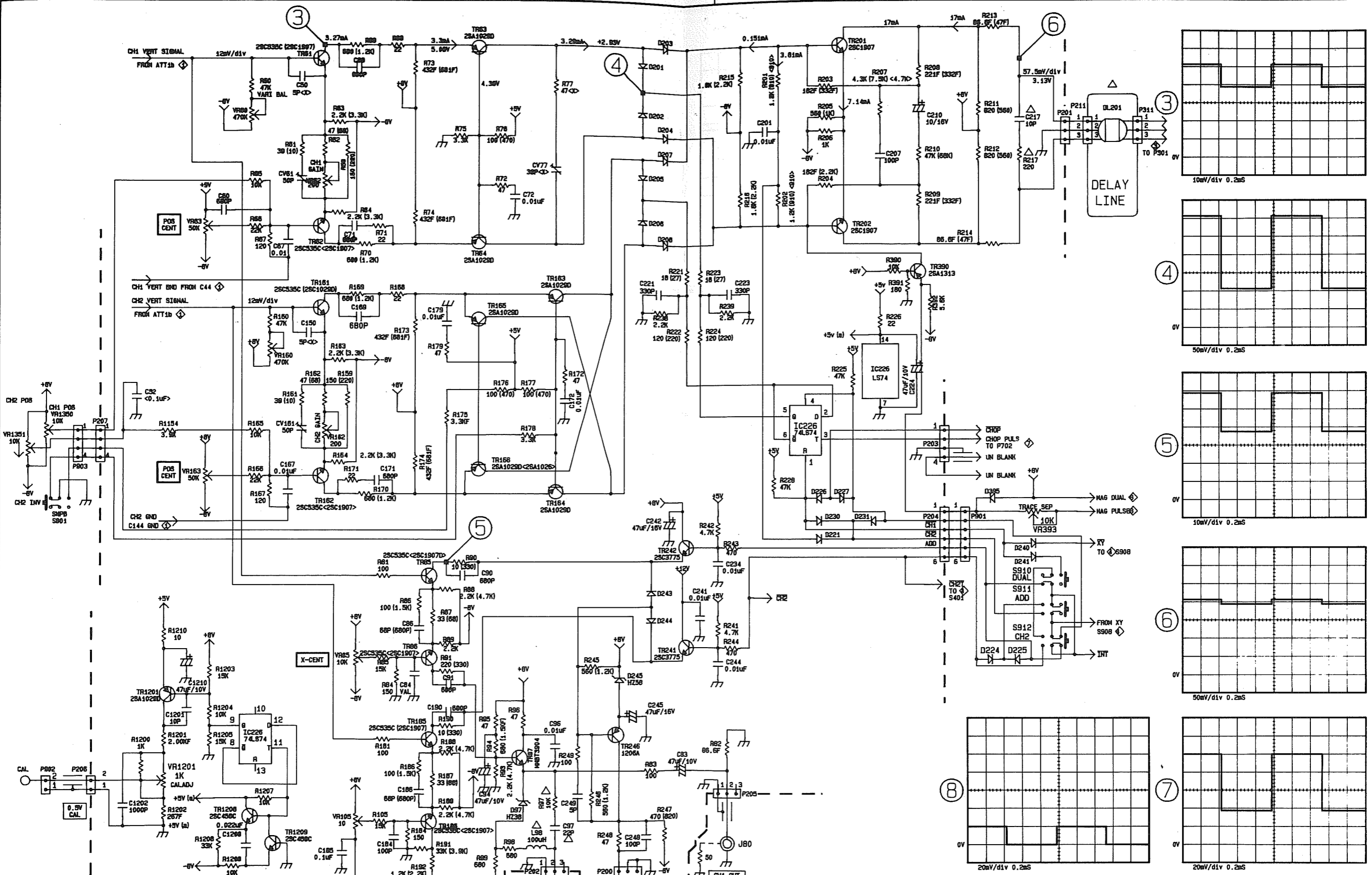
| | | | | | | |
|-------|----------|-------|----------|----------|----------------|----------|
| DRAWN | DESIGNED | CHECK | APPROVED | SCALE: / | SHEET | OF |
| ... | ... | ... | ... | UNIT: | SIZE | REVISION |
| | | | | TITLE | A3 | |
| | | | | | DRAWING NUMBER | |

15 Schematic diagrams



| | | | | | |
|---------|----------|-------|----------|------------------------------|--------------------|
| DRAWN | DESIGNED | CHECK | APPROVED | SCALE: 1 / 1 | SHEET 1 OF 9 |
| C.H.CHO | | | | UNIT: | SIZE A3 REVISION A |
| 5-02-96 | | | | TITLE 6500 VERTICAL UNIT (1) | DRAWING NUMBER |

A
B
C
D
E
F



D100=18B133 (18B176 TOSHIBA)
 Δ = 200Hz NOT USED
 () = 200Hz ONLY
 <-> = 800Hz ONLY
 ◊ = 800Hz NOT USED

| | | | |
|----------|----------|-------|----------|
| DRAWN | DESIGNED | CHECK | APPROVED |
| C.H. CHD | | | |
| 5-02-96 | | | |

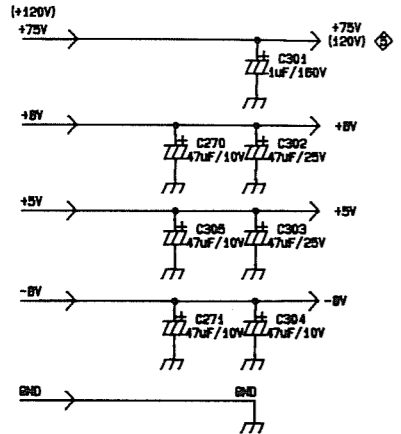
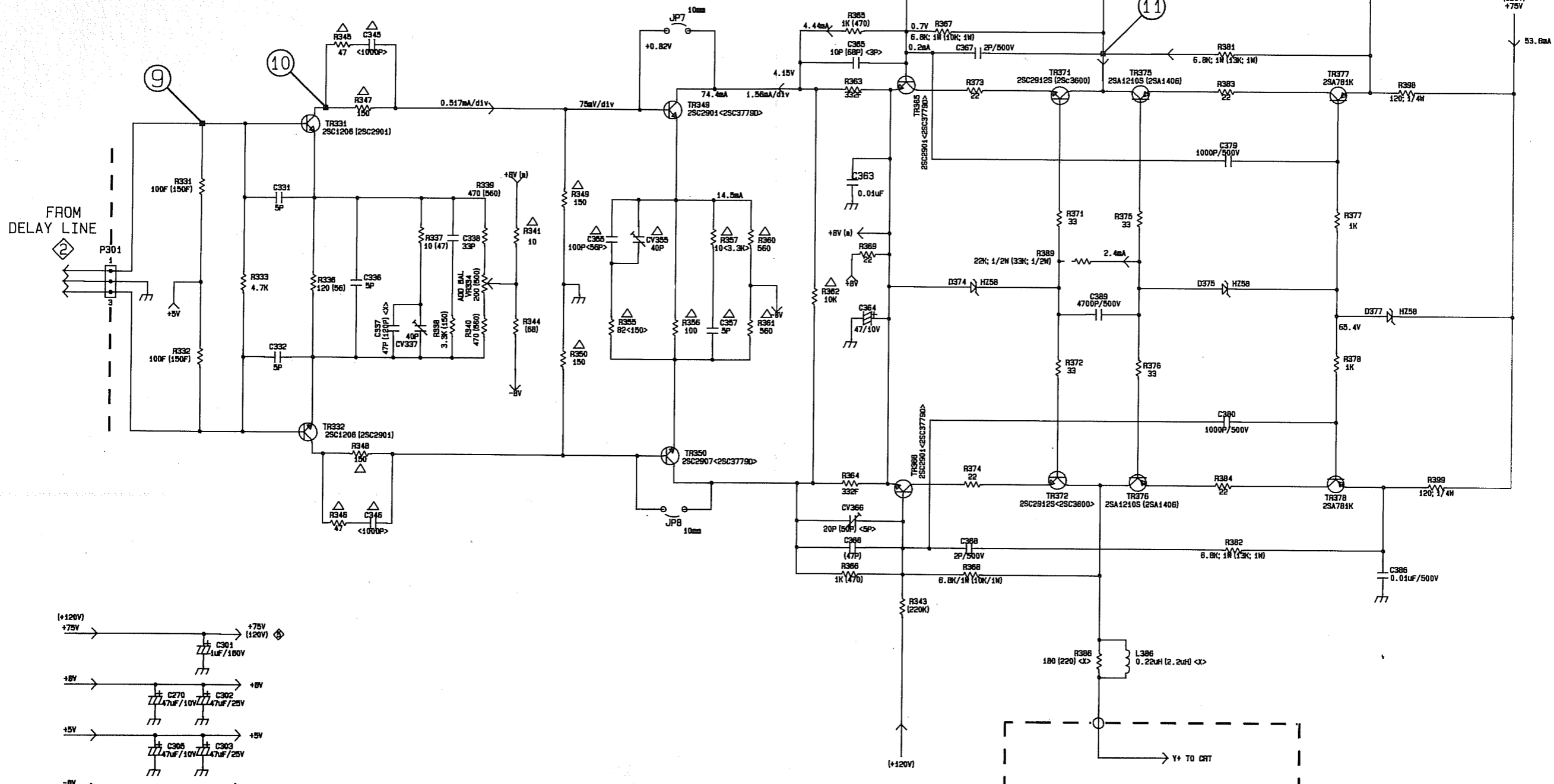
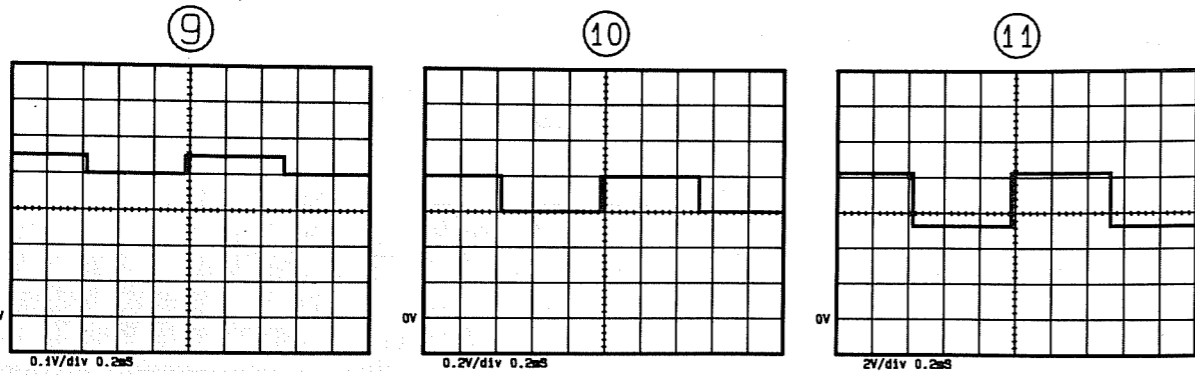
SCALE: 1 / 1
 UNIT:

SHEET 2 OF 9
 SIZE A3
 REVISION A

HUNG CHANG

TITLE
 6500 VERTICAL UNIT
 (2)

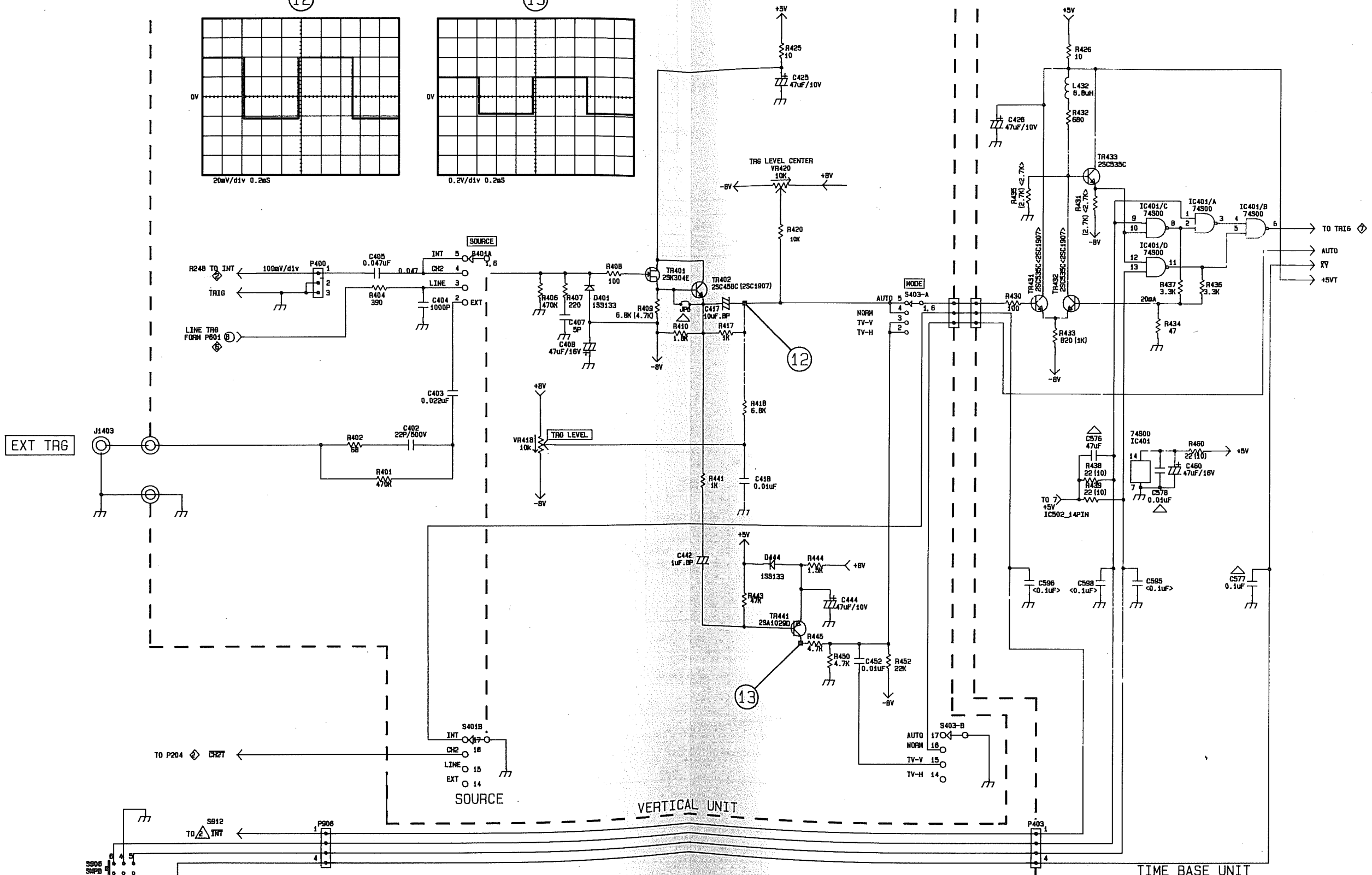
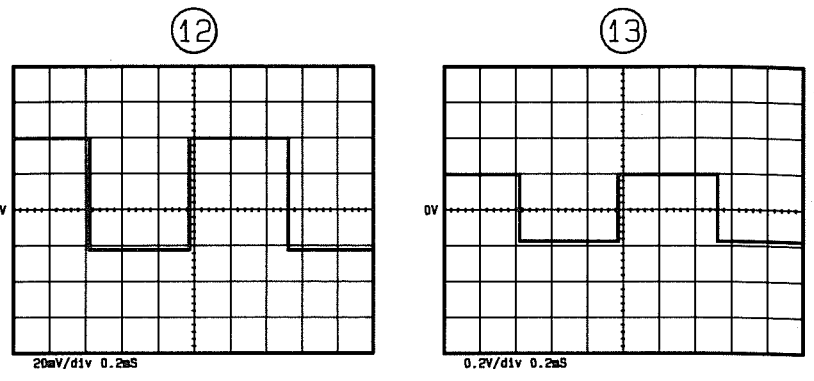
DRAWING NUMBER



20MHz : R347, 340, JP SHORT
JP7, 8 SHORT

△ 20MHz Not Used
() 20MHz Only
<> 60MHz Only
◇ 60MHz Not Used

| | | | | | |
|----------|----------|-------|----------|------------------------------|--------------|
| DRAWN | DESIGNED | CHECK | APPROVED | SCALE: 1 / 1 | SHEET 3 OF 9 |
| C.H. CHO | | | | UNIT: | SIZE A3 |
| 5-02-96 | | | | | REVISION A |
| | | | | TITLE 6500 VERTICAL UNIT (3) | |
| | | | | DRAWING NUMBER | |



△ 20MHz NOT USED
 () 20MHz
 <> 60MHz

| | | | |
|-----------|----------|-------|----------|
| DRAWN | DESIGNED | CHECK | APPROVED |
| C. H. CHO | | | |
| 5-02-96 | | | |

SCALE: 1 / 1
 UNIT:

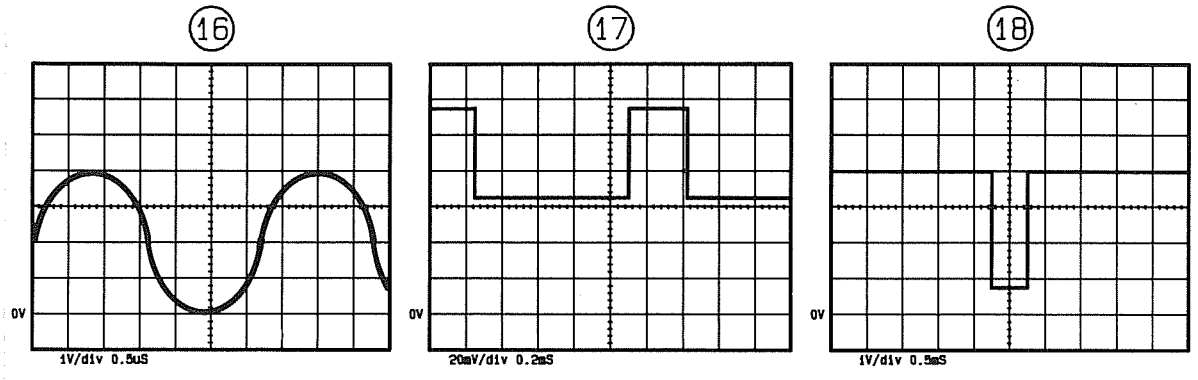
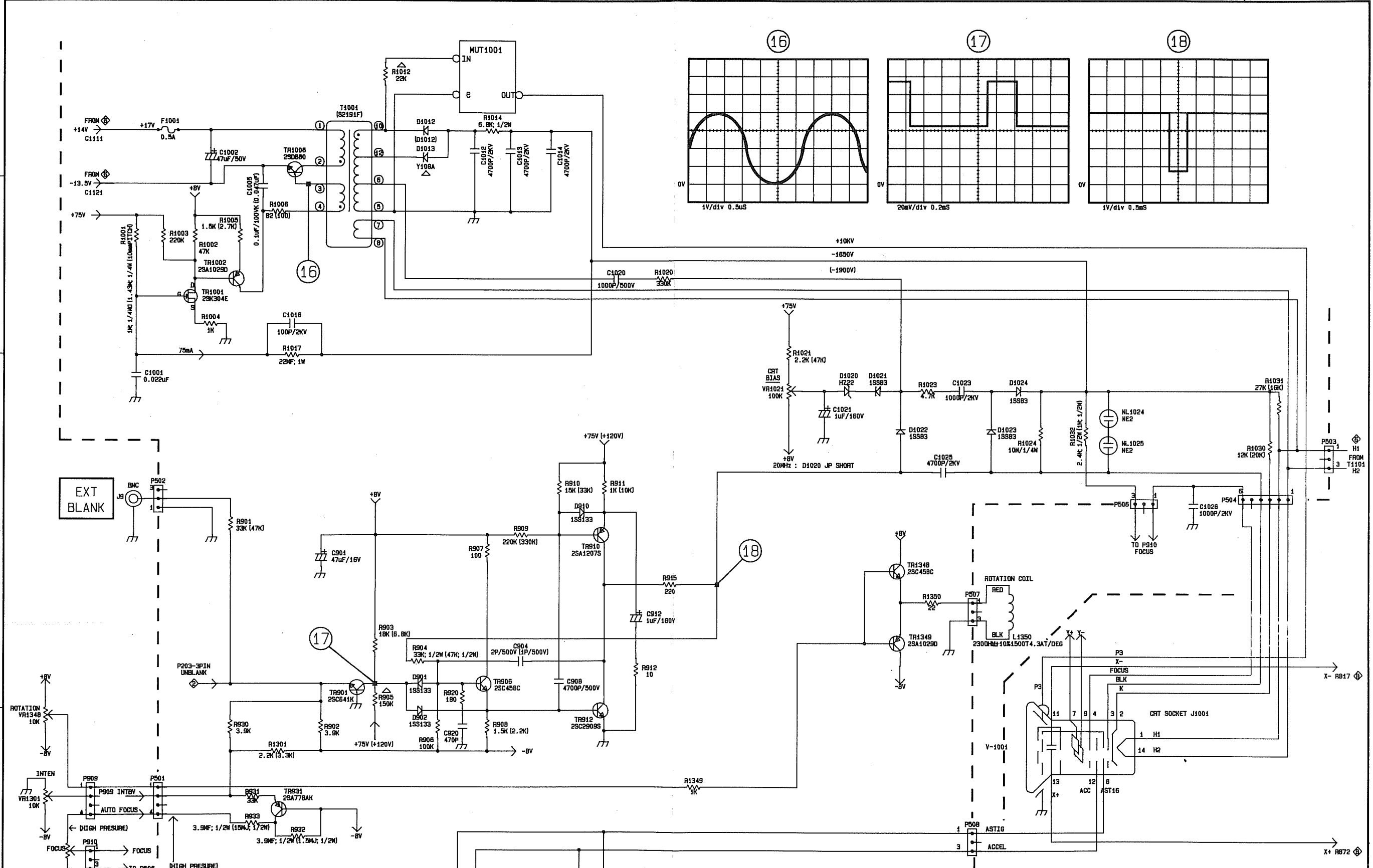
SHEET 4 OF 9

SIZE **A3** REVISION A

DRAWING NUMBER

HUNG CHANG

TITLE 6500 TIME BASE/
 VERTICAL UNIT
 (4)

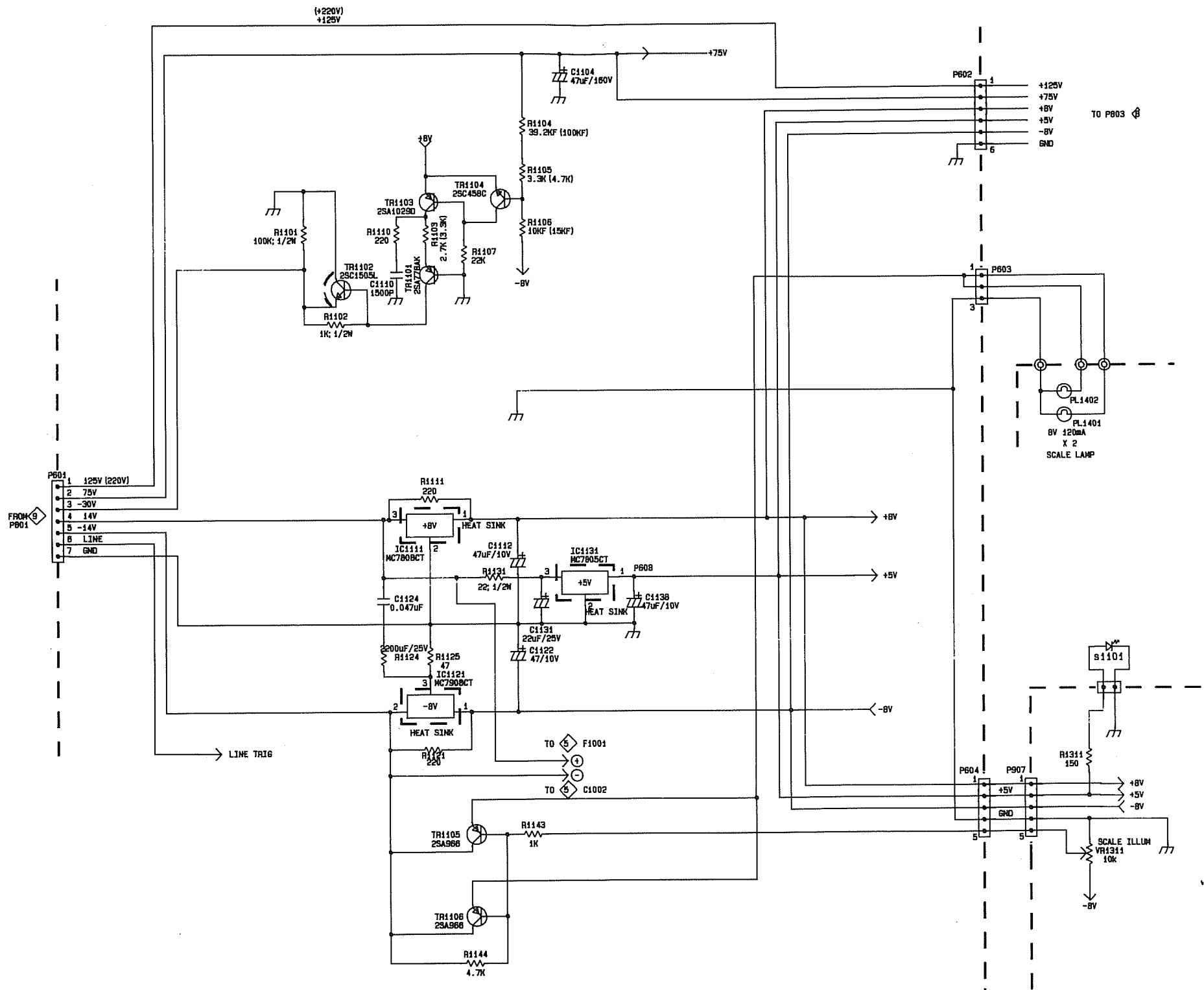


Δ : 20MHz NOT USED
 () : 20MHz ONLY 40, 60MHz NOT USED
 <> : 60MHz ONLY 20, 40MHz NOT USED

| | | | | | | |
|---------|----------|-------|----------|----------------|--------------|------------|
| DRAWN | DESIGNED | CHECK | APPROVED | SCALE: 1 / 2 | SHEET 5 OF 9 | |
| C.H.CHO | | | | UNIT: | SIZE A3 | REVISION A |
| 5-02-96 | | | | DRAWING NUMBER | | |



TITLE
 6500 VERTICAL UNIT
 (5)



△ : 20kHz NOT USED
 () : 20kHz ONLY
 <> : 60kHz

| DRAWN | DESIGNED | CHECK | APPROVED |
|----------|----------|-------|----------|
| C.H. CHO | | | |
| 5-02-96 | | | |

SCALE: 1 / 1
UNIT:

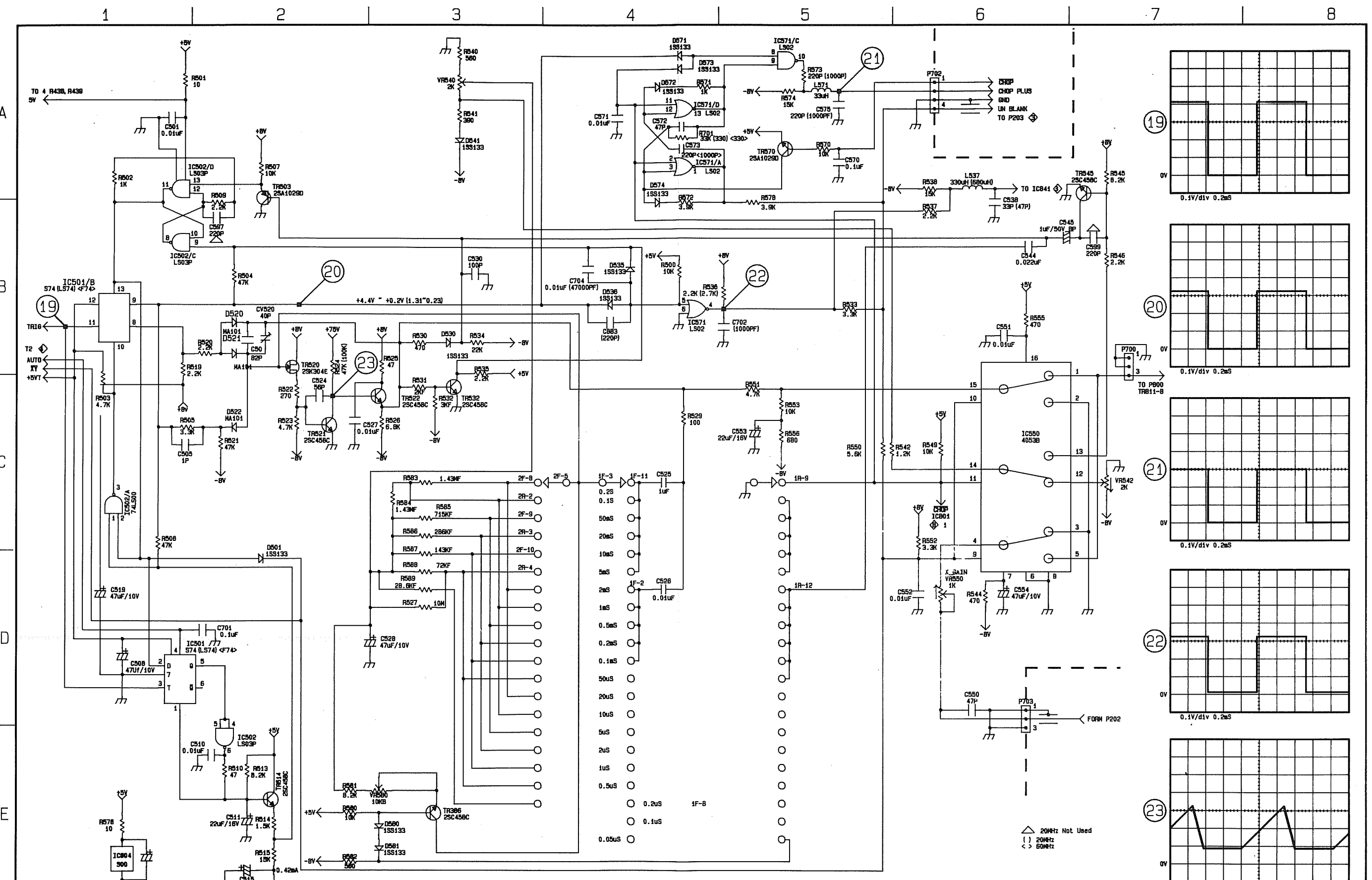
SHEET 6 OF 9

SIZE A3 REVISION A

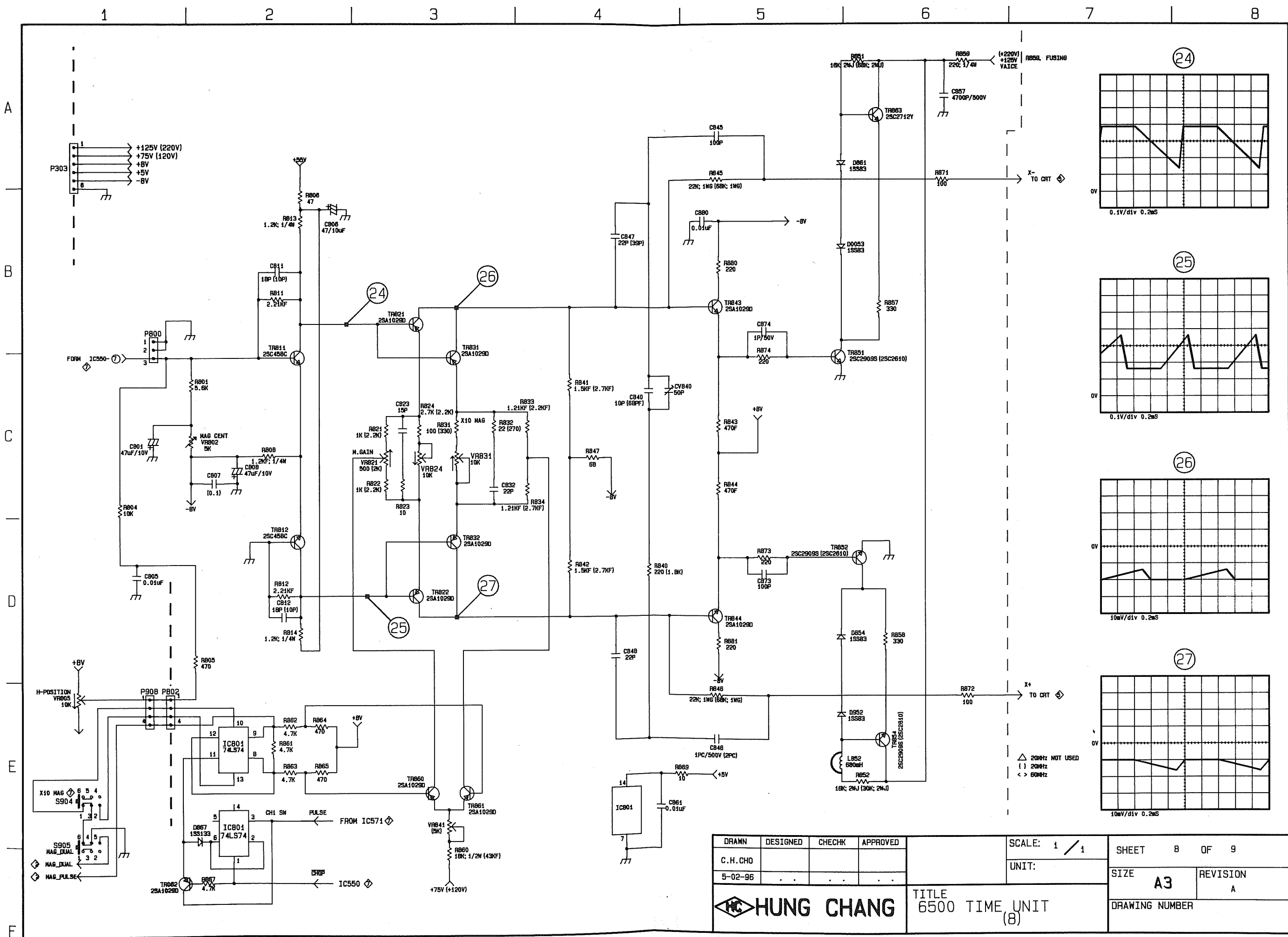
HUNG CHANG

TITLE 6500 VERTICAL UNIT (6)

DRAWING NUMBER



| | | | | | |
|-------------------|----------|-------|----------|-------------------------------|--------------------|
| DRAWN | DESIGNED | CHECK | APPROVED | SCALE: 1 / 1 | SHEET 7 OF 9 |
| C.H.CHO | | | | UNIT: | SIZE A3 REVISION A |
| 5-02-96 | | | | | DRAWING NUMBER |
| HUNG CHANG | | | | TITLE 6500 TIME BASE UNIT (7) | |



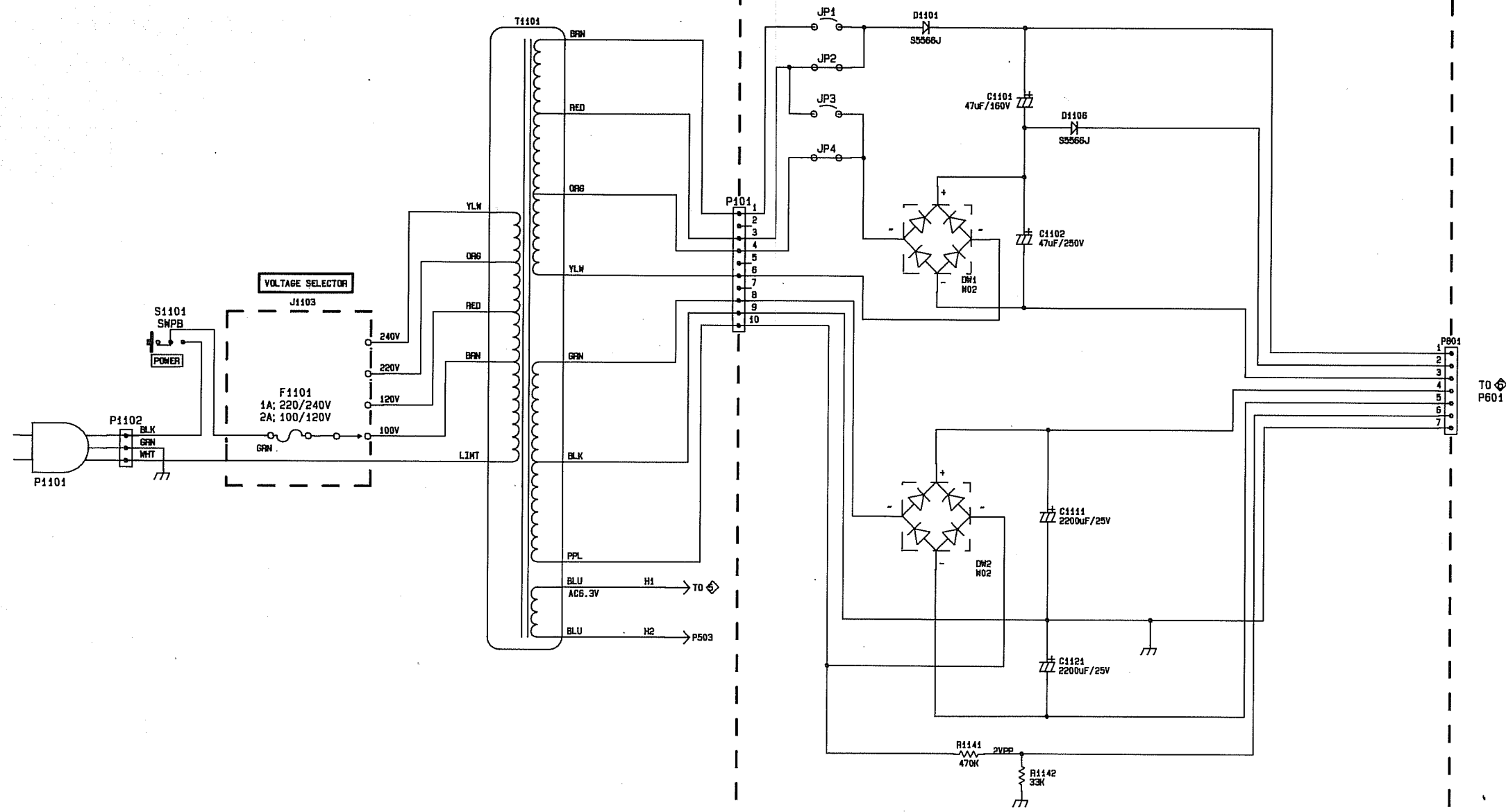
| | | | |
|----------|----------|---------|----------|
| DRAWN | DESIGNED | CHECKED | APPROVED |
| C.H. CHO | | | |
| 5-02-96 | | | |

| |
|--------------|
| SCALE: 1 / 1 |
| UNIT: |

| |
|--------------|
| SHEET 8 OF 9 |
| SIZE A3 |
| REVISION A |

HUNG CHANG
 TITLE 6500 TIME UNIT (8)

DRAWING NUMBER



| | | | | | |
|------------|----------|-------|----------|------------------------------|--------------|
| DRAWN | DESIGNED | CHECK | APPROVED | SCALE: 1 / 1 | SHEET 9 OF 9 |
| C. H. CHO | | | | UNIT: | SIZE A3 |
| 4-08-96 | | | | | REVISION A |
| HUNG CHANG | | | | TITLE 6500 VERTICAL UNIT (9) | |
| | | | | DRAWING NUMBER | |