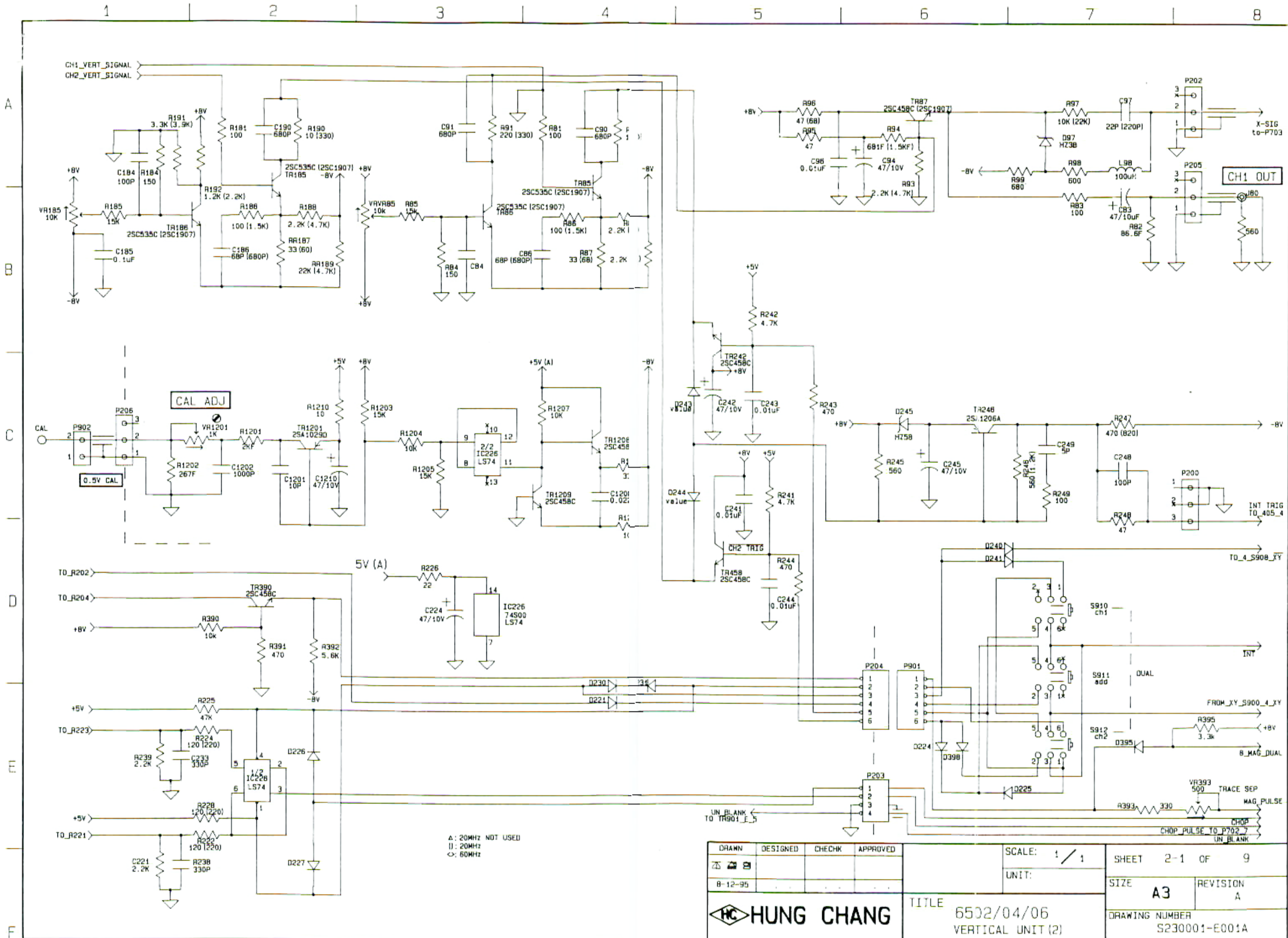


A: 20MHz NOT USED
 II: 20MHz
 <>: 60MHz

DRAWN	DESIGNED	CHECK	APPROVED	SCALE: 1/1	SHEET 1 OF 9
				UNIT:	SIZE A3
TITLE 6502/04/06 VER ICAL UNIT (1)				REVISION A	
				DRAWING NUMBER S230001-E001A	



DRANN	DESIGNED	CHECK	APPROVED
B-12-95			

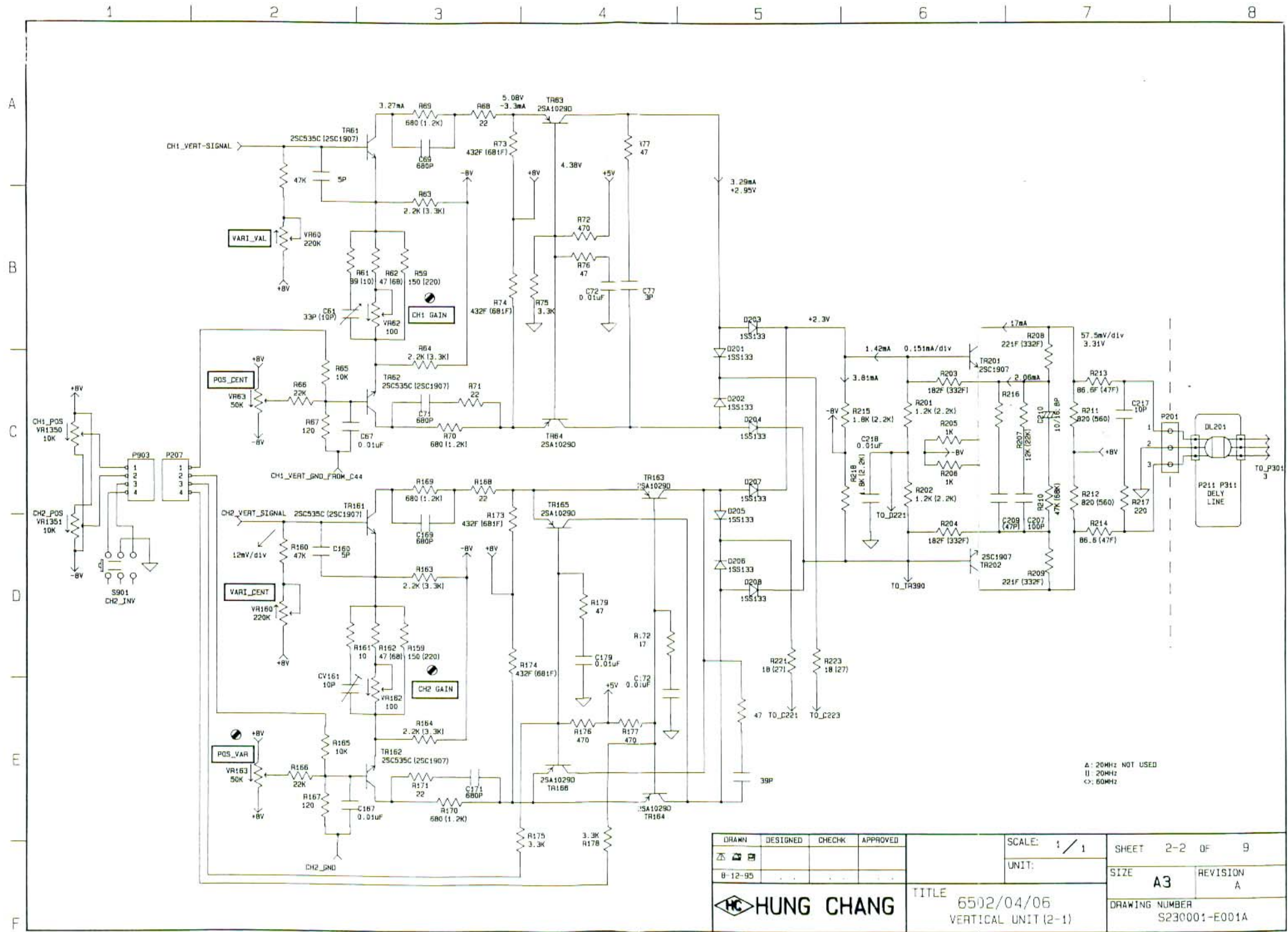
SCALE: 1 / 1
SHEET 2-1 OF 9

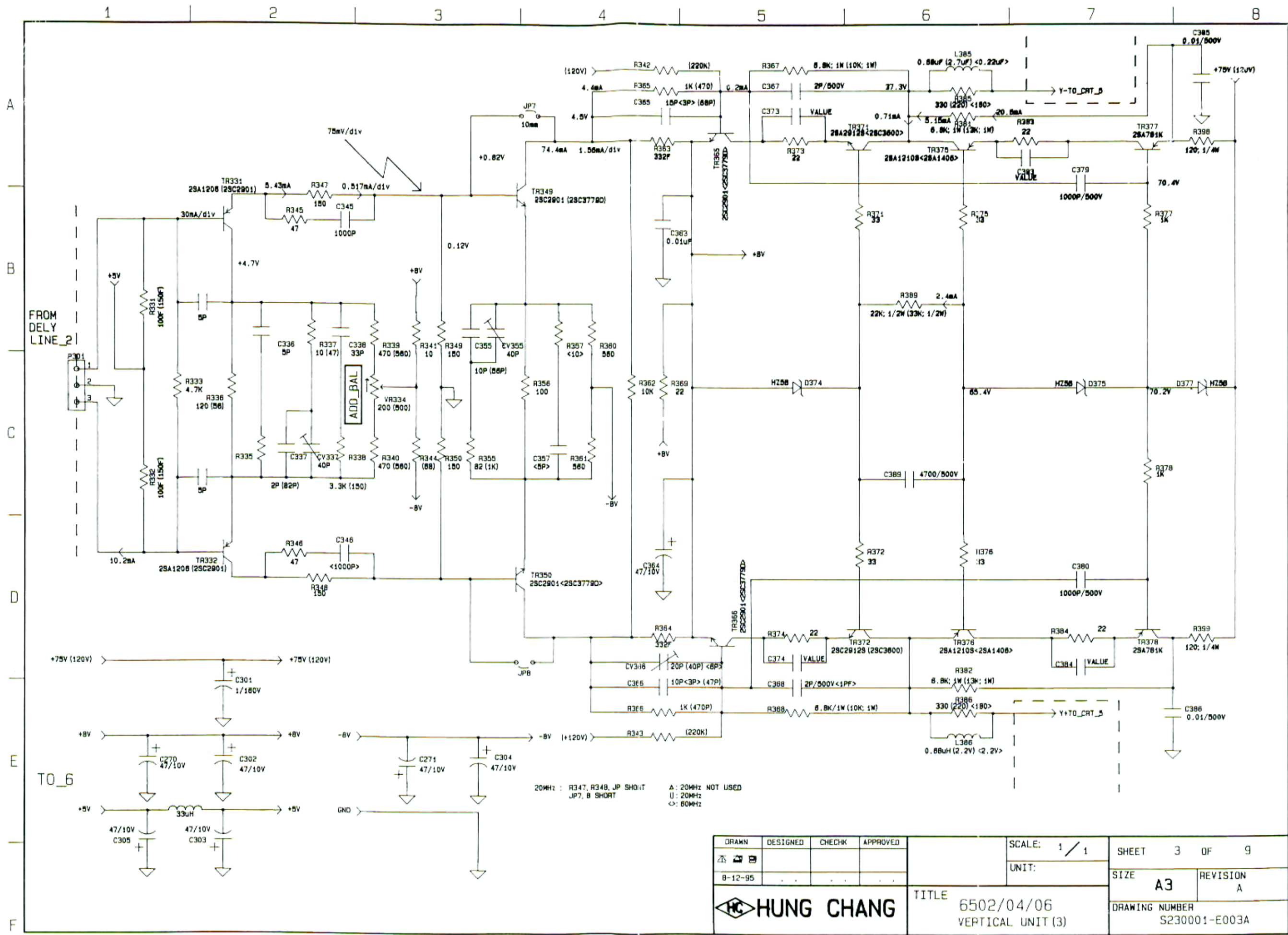
UNIT:
SIZE A3 REVISION A

HUNG CHANG

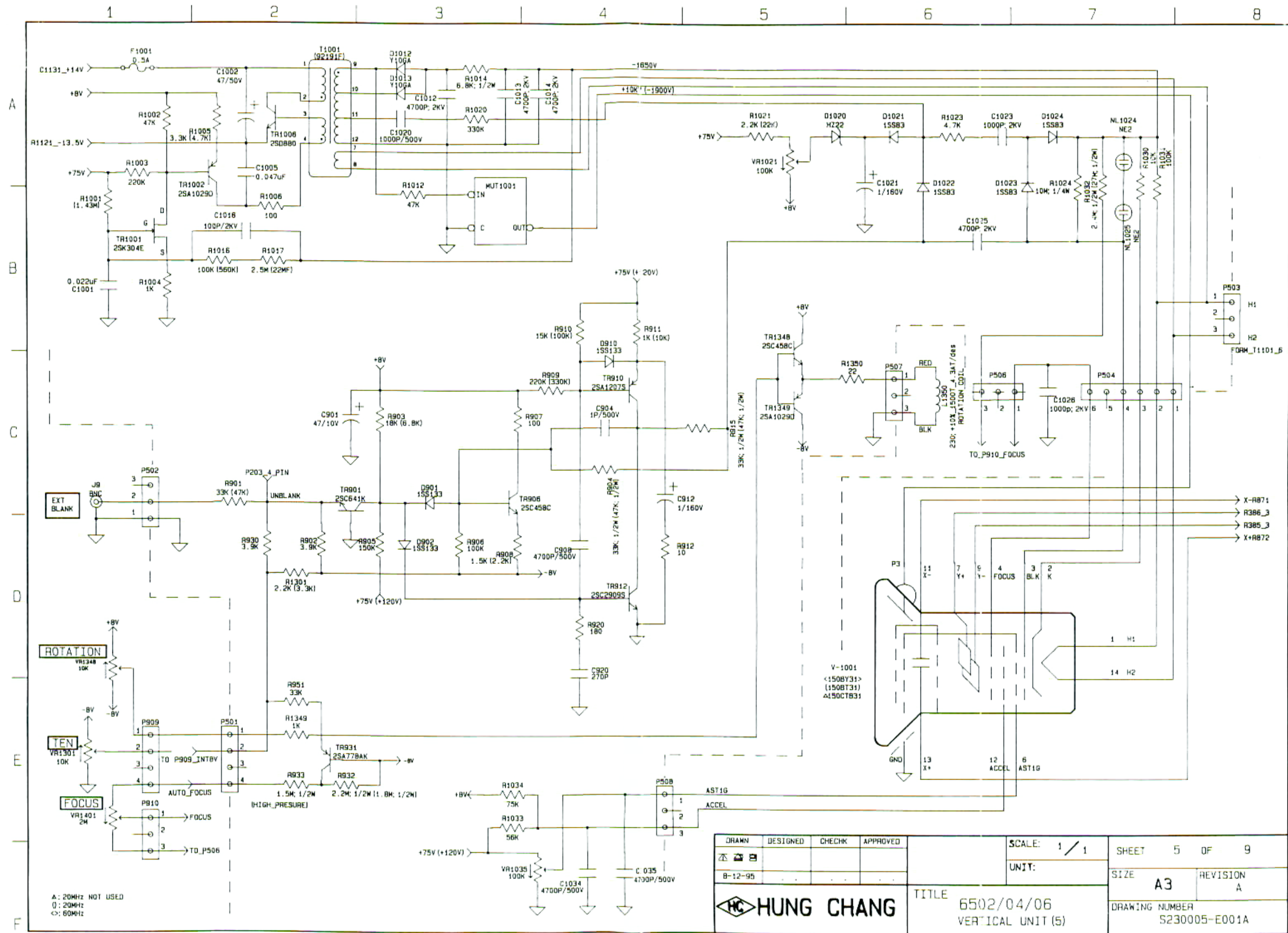
TITLE 6502/04/06
VERTICAL UNIT (2)

DRAWING NUMBER S230001-E001A





DRAWN	DESIGNED	CHECK	APPROVED	SCALE: 1 / 1	SHEET 3 OF 9
8-12-95				UNIT:	SIZE A3
				TITLE	REVISION
				6502/04/06 VERTICAL UNIT (3)	A
				DRAWING NUMBER	S230001-E003A



A: 20MHz NOT USED
 □: 20MHz
 ○: 60MHz

DRAWN	DESIGNED	CHECK	APPROVED
B-12-95			

SCALE: 1 / 1
 UNIT:

SHEET 5 OF 9

SIZE A3 REVISION A

DRAWING NUMBER S230005-E001A

HUNG CHANG

TITLE 6502/04/06
 VERTICAL UNIT (5)

