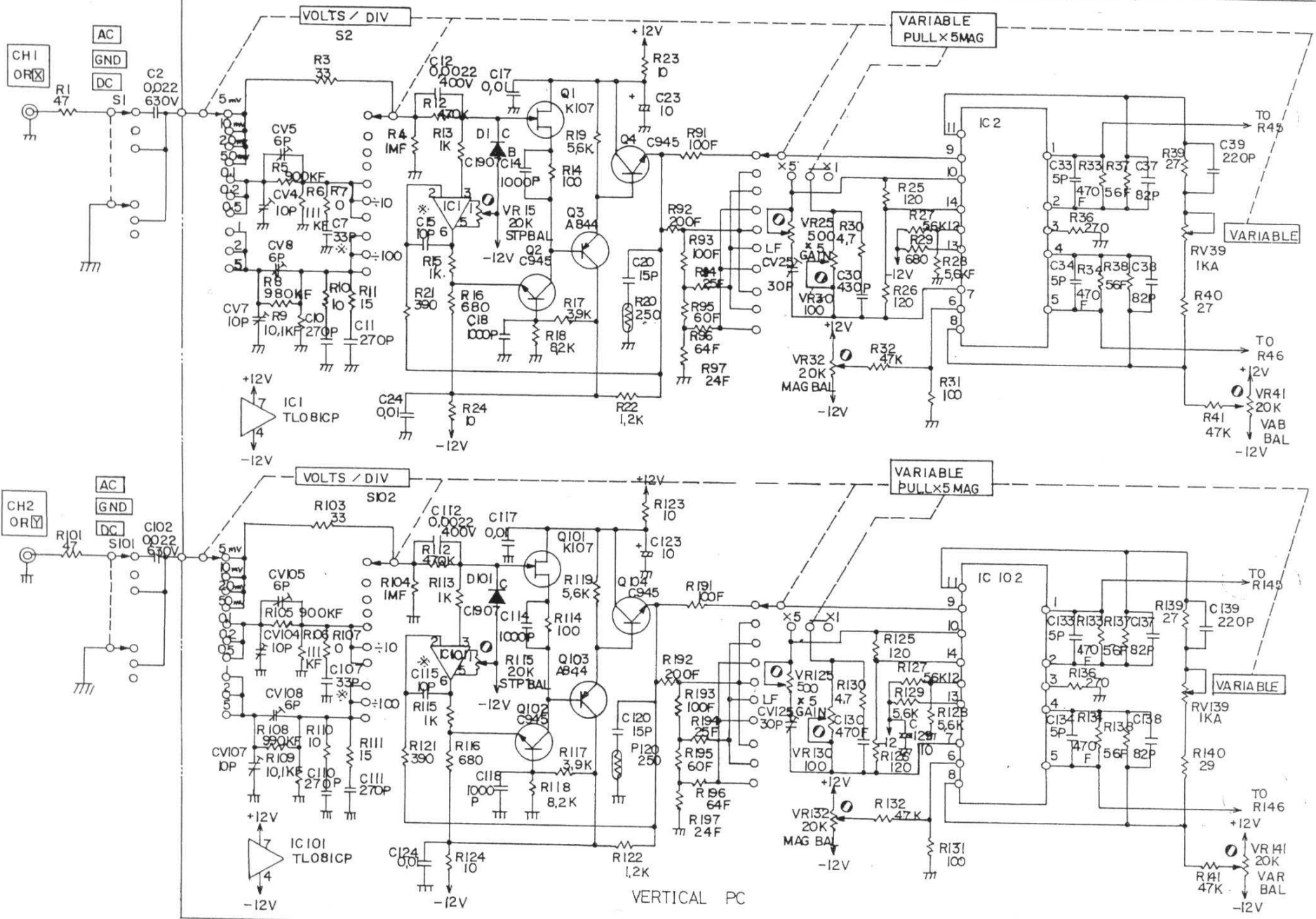
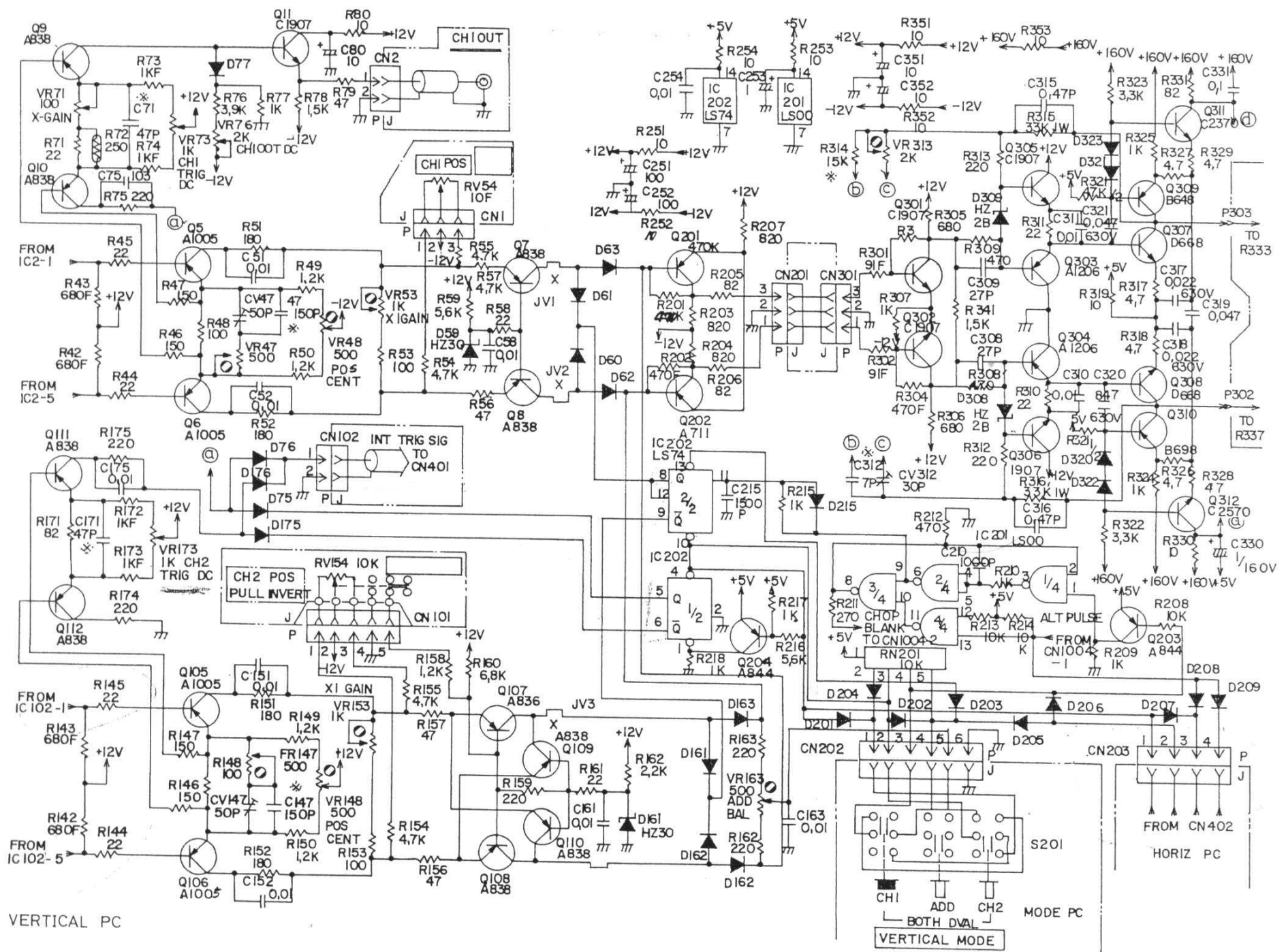


SECTION 7: CIRCUIT DIAGRAM





VERTICAL PC



VERTICAL PC



