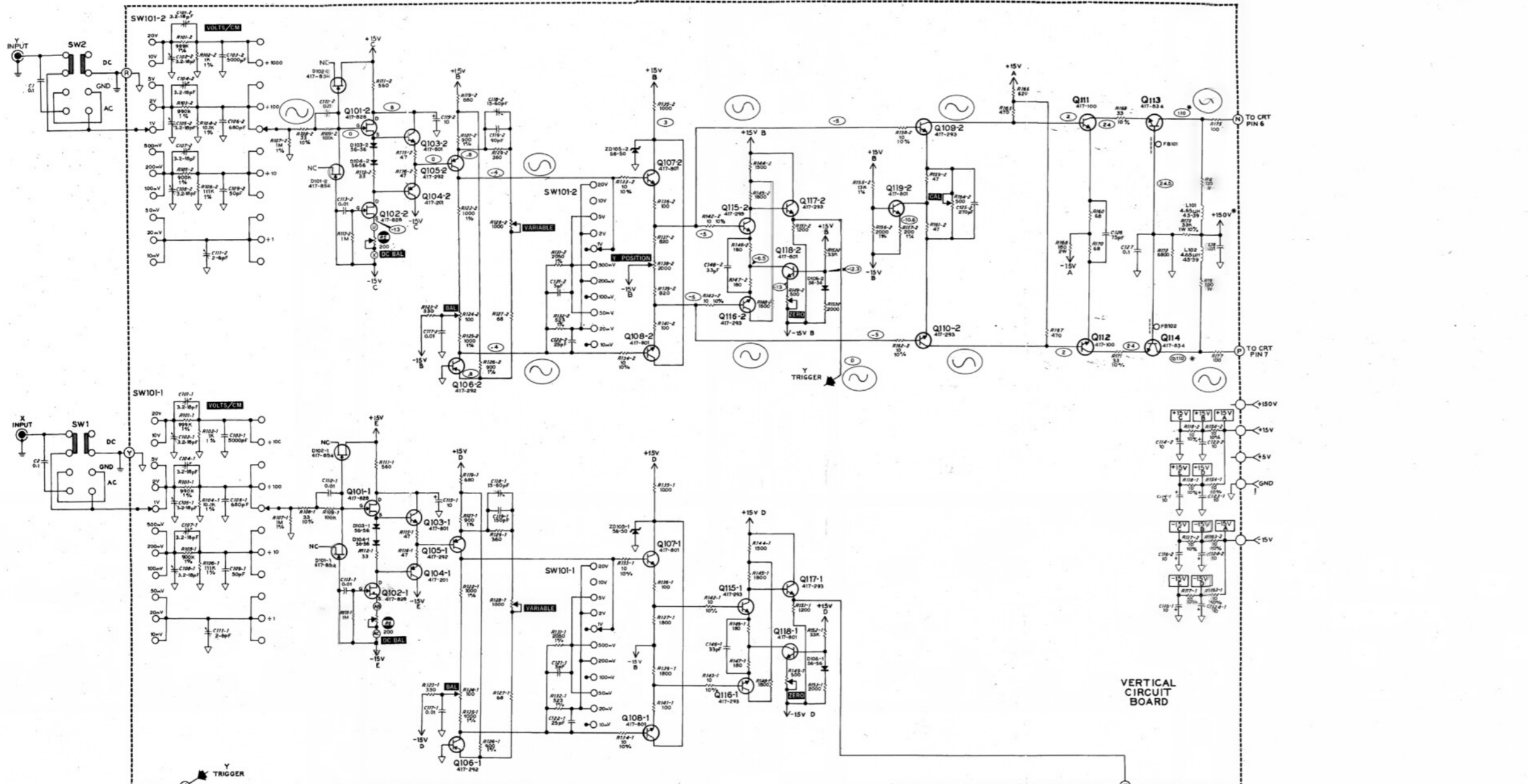


**SCHEMATIC OF THE
HEATHKIT®
SINGLE TRACE OSCILLOSCOPE
MODEL 10-4555/SO-4555**

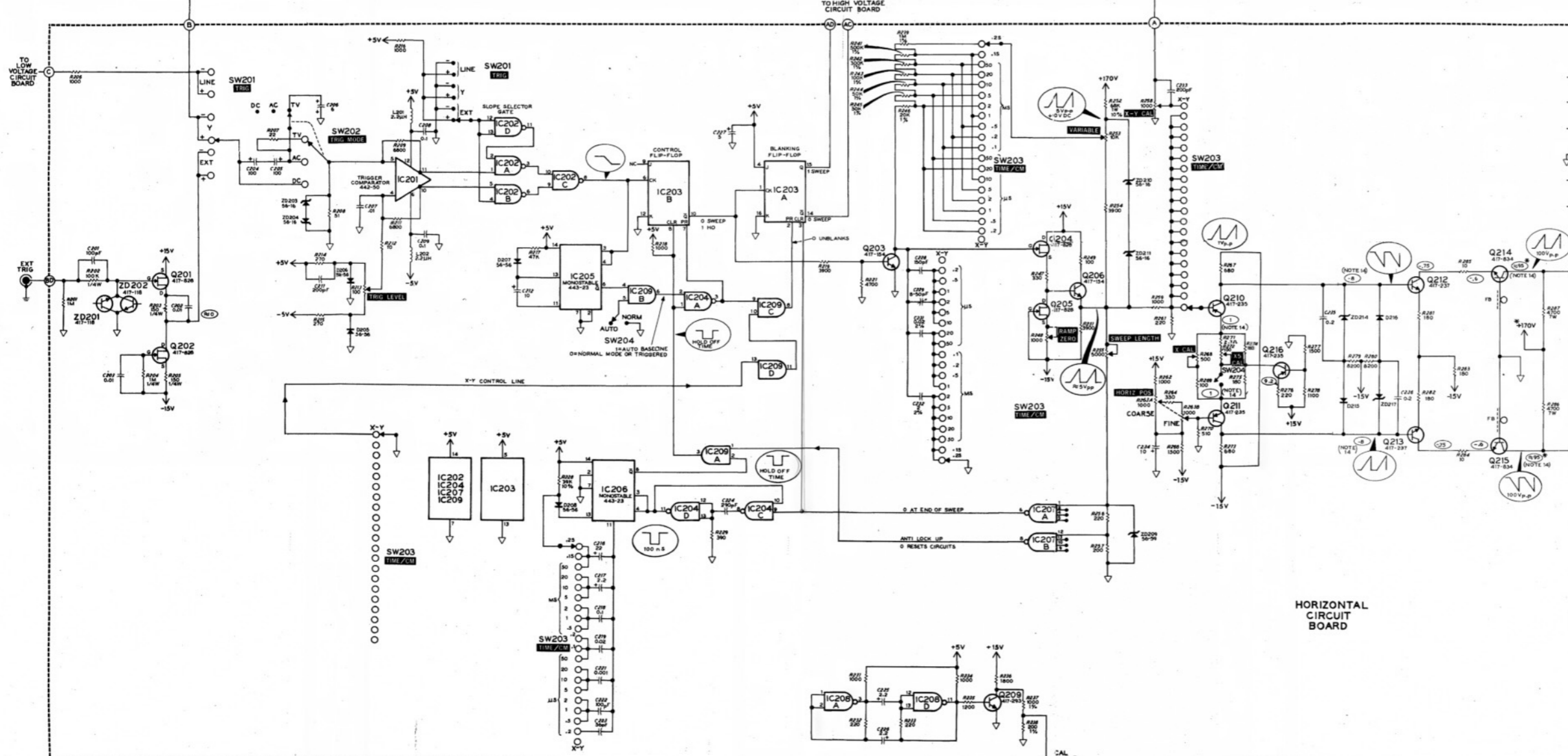
- NOTES:
1. ALL CAPACITOR VALUES ARE IN μ F UNLESS OTHERWISE SPECIFIED.
 2. ON THE VERTICAL CIRCUIT BOARD, THE WATTAGE VALUES OF 1/8-WATT AND 1/4-WATT RESISTORS ARE NOT MARKED. ALL OTHER RESISTORS ARE 1/2 WATT, 5% UNLESS MARKED OTHERWISE. RESISTOR VALUES ARE IN OHMS (K-1000; M-1,000,000).
 3. ○ INDICATES A LETTERED WIRE CONNECTION ON A CIRCUIT BOARD.
 4. ⊕ INDICATES CHASSIS GROUND.
 5. ⊖ INDICATES CIRCUIT BOARD GROUND.
 6. ● INDICATES A PART MOUNTED ON THE CHASSIS, ALTHOUGH ITS LOCATION IN THE SCHEMATIC SUGGESTS ANOTHER LOCATION.
 7. CIRCUIT COMPONENT NUMBERS ARE IN THE FOLLOWING GROUPS:
1-99 PARTS ON CHASSIS.
100-199 PARTS ON THE VERTICAL CIRCUIT BOARD.
200-299 PARTS ON THE HORIZONTAL CIRCUIT BOARD.
300-399 PARTS ON THE LOW VOLTAGE CIRCUIT BOARD.
400-499 PARTS ON THE HIGH VOLTAGE CIRCUIT BOARD.
 8. ○ INDICATES A DC VOLTAGE MEASURED FROM THE POINT INDICATED TO GROUND WITH THE VERTICAL AMPLIFIERS BALANCED, THE TIME/CUR SWITCH IN THE EXT POSITION, AND THE HORIZONTAL POSITION CONTROL CENTERED. VOLTAGE MAY VARY $\pm 20\%$.
 9. TRANSISTOR TRANSISTOR LOGIC (TTL) LEVELS ARE AS FOLLOWS: A LOGIC 0, OR LOW, IS < 0.8 VOLTS. A LOGIC 1, OR HIGH, IS > 2.0 VOLTS BUT < 3.9 VOLTS.
 10. ● THIS SYMBOL INDICATES A LINE THAT CONTINUES. TO FIND THE CONTINUED PORTION, FOLLOW A STRAIGHT EDGE ON THE LINE THAT THE SYMBOL IS ON.
 11. CRT UNBLANKED - DEPENDS ON POSITION OF INTENSITY CONTROL.
 12. CRT BLANKED.
 13. UNIT NOT SWEEPING. SPOT CENTERED HORIZONTALLY.
HO = HOLD OFF INCLUDES RETRACE.

Copyright © 1977
Heath Company
All Rights Reserved
Printed in the United States of America

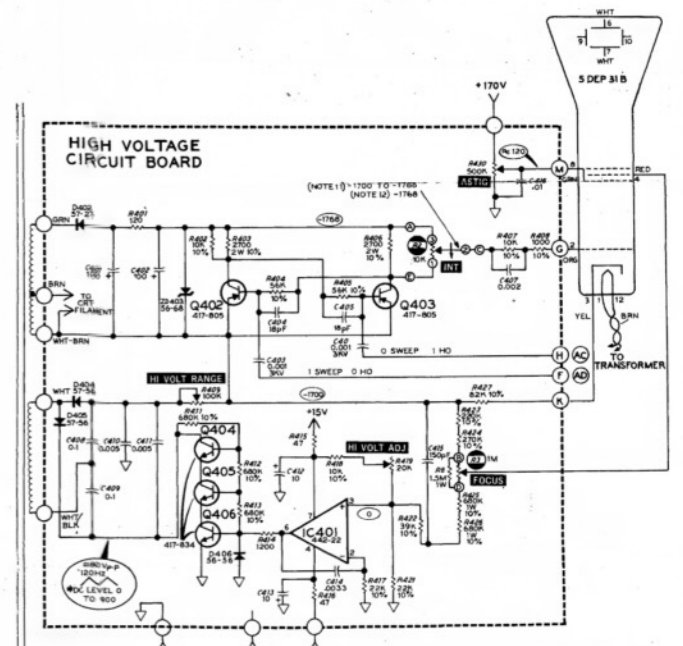
Part of 595-2027



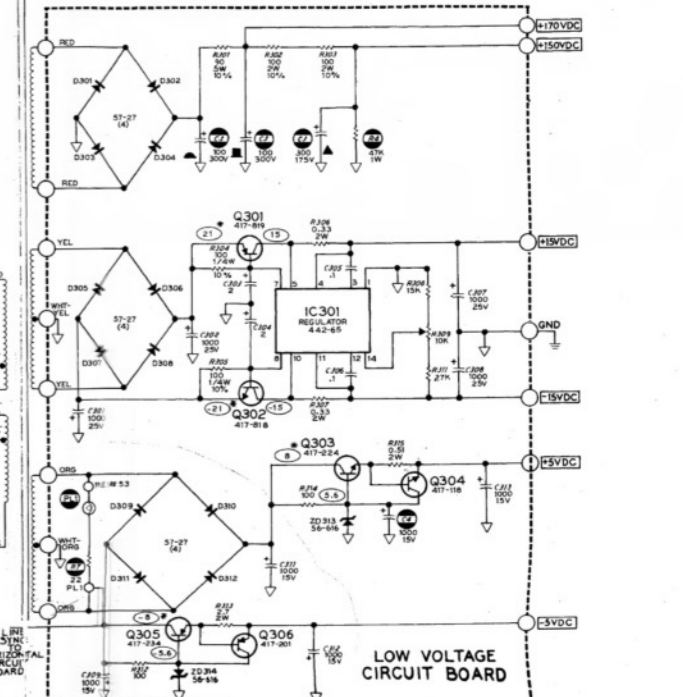
VERTICAL CIRCUIT BOARD



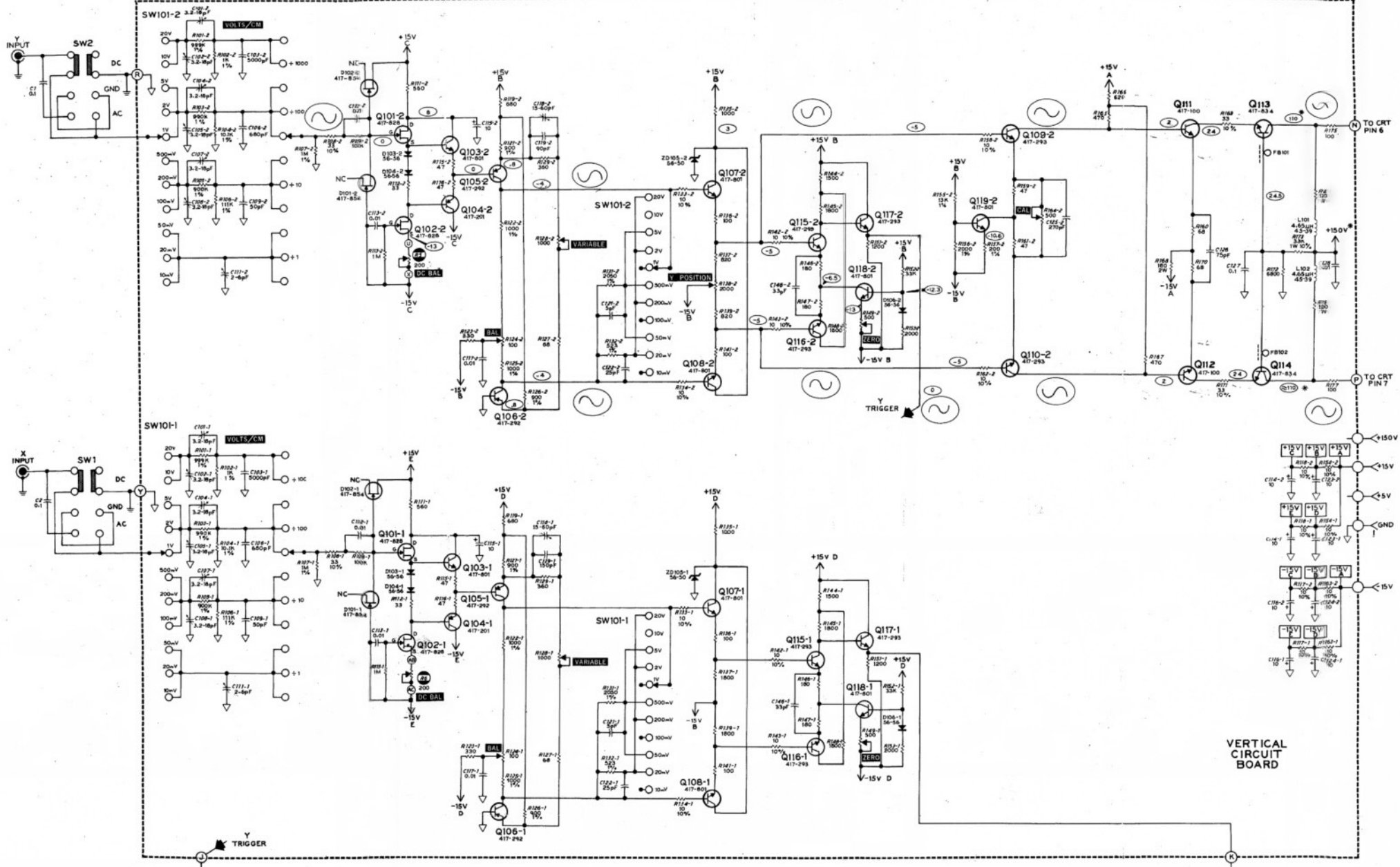
HORIZONTAL CIRCUIT BOARD



HIGH VOLTAGE CIRCUIT BOARD



LOW VOLTAGE CIRCUIT BOARD



VERTICAL
CIRCUIT
BOARD

HIGH VOLTAGE CIRCUIT BOARD

