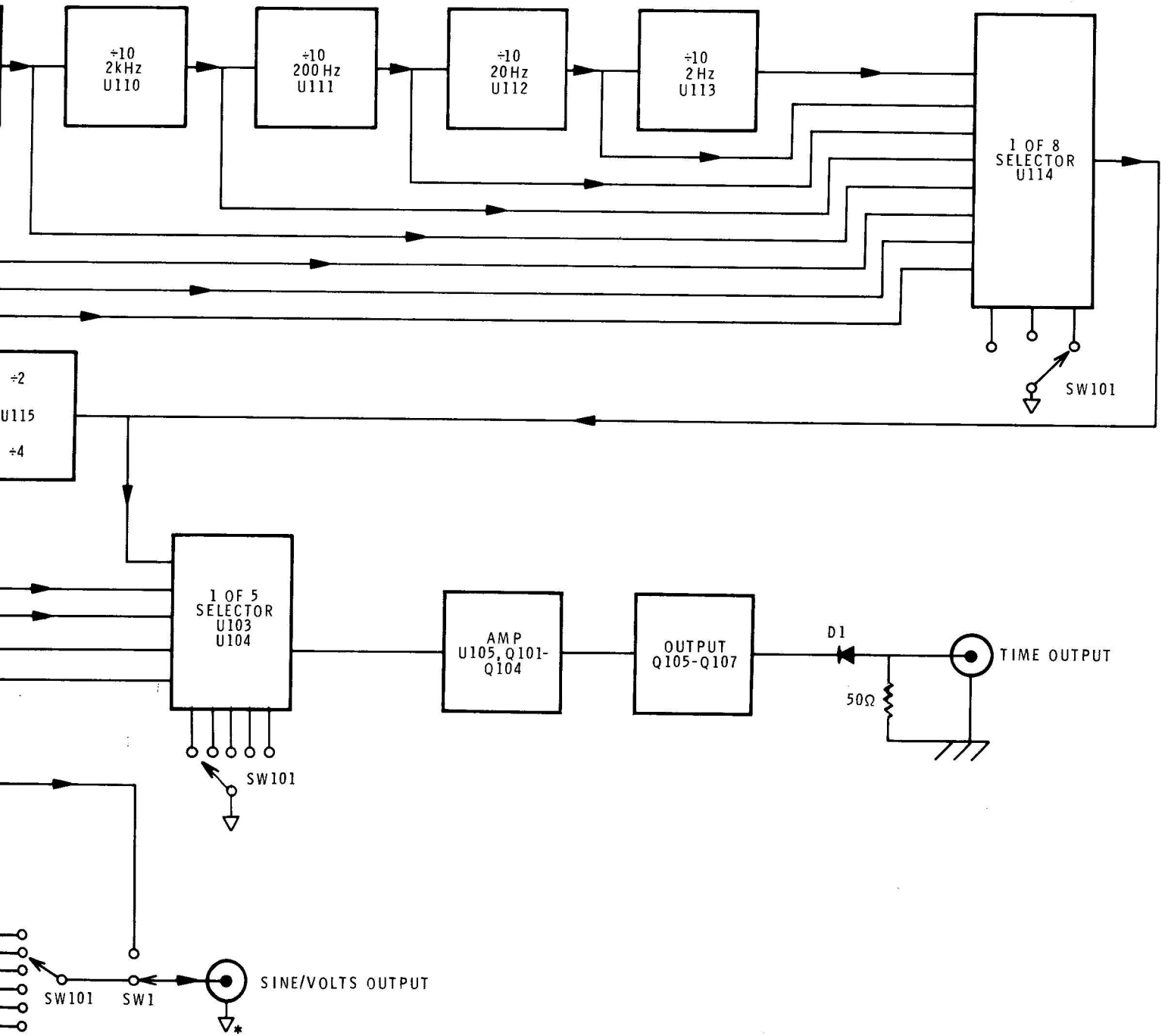


*INDICATES FLOATING GROUND.

BLOCK DIAGRAM



BLOCK DIAGRAM