

UTC TA7342P LINEAR INTEGRATED CIRCUIT

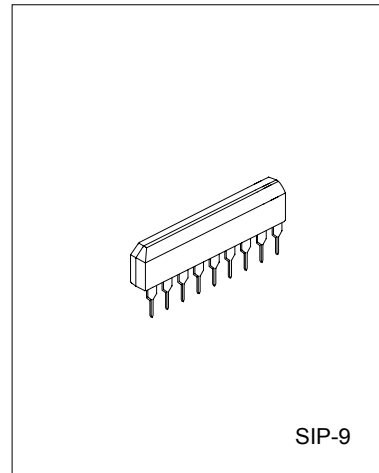
PLL FM STEREO MULTIPLEX

DESCRIPTION

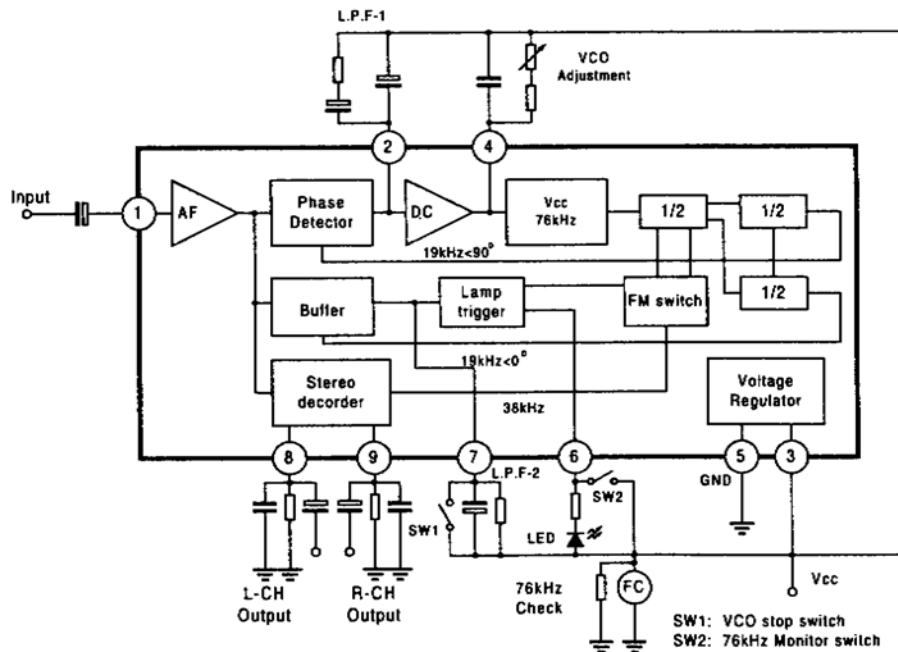
The UTC TA7342P is a PLL FM stereo multiplex integrated circuit, designed for portable radio applications.

FEATURES

- *Wide operating supply voltage : $V_{cc}=1.8V-5V$
- *Suitable for LED driving : $I_{lamp}=8mA(max.)$
- *VCO stop capability (The VCO is stopped when the LPF2 terminal is connected to the power supply line, and the stereo indicator is turn off.)
- *Easy Adjustment (The monitored free running frequency of VCO is 76kHz at stereo Lamp terminal)



BLOCK DIAGRAM



UTC TA7342P LINEAR INTEGRATED CIRCUIT

ABSOLUTE MAXIMUM RATINGS(Ta=25°C)

PARAMETER	SYMBOL	VALUE	UNIT
Supply Voltage	V _{CC}	6	V
Lamp Voltage	V _{LAMP}	8	V
Lamp Current (continuous)	I _{LAMP}	8	mA
Power Dissipation	P _D	500	mW
Operating Temperature Range	T _{OPR}	-25 - +75	°C
Storage Temperature Range	T _{STG}	-55 +150	°C

ELECTRICAL CHARACTERISTICS

(Ta=25°C ,V_{CC}=3V, f=1kHz, unless otherwise specified)

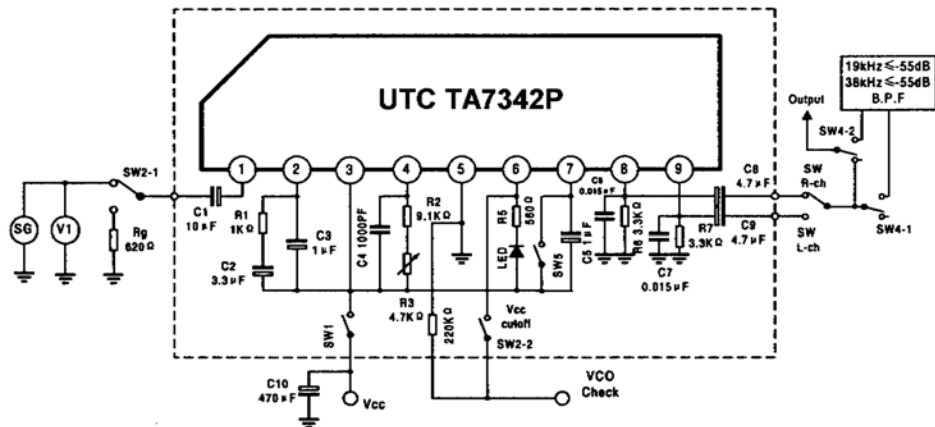
PARAMETER	SYMBOL	TEST CONDITIONS	MIN	TYP	MAX	UNIT
Quiescent Circuit Current	I _{CCQ}	At Lamp off		4.5	8	mA
Input Resistance	R _{IN}			10		kΩ
Output Resistance	R _{OUT}		4	5	6	kΩ
Maximum Input Voltage	V _{i(max)}	Lj+R=90%, P=10% THD=5%, fm=1kHz		400		mVrms
Channel Separation	CS	L+R=180mV, P=20mV, fm=1kHz	30	35		dB
Total Harmonic Distortion(mono)	THD1	Vi=200mVrms (Monaural)		0.4	1	%
Total Harmonic Distortion (stereo)	THD2	L+R=180mVrms, p=20mVrms, fm=1kHz		0.5		%
Voltage Gain	G _V	Vi=200mVrms	-6.5	-5	-3.5	dB
Channel Balance	C _B	Vi=200mVrms		0	1.5	dB
Lamp ON Level	V _{L(ON)}	pilot only		9	15	mV
Lamp OFF Level	V _{L(OFF)}	pilot only	2	6		mV
Stereo Lamp Hysteresis	V _H	From ON to OFF		3		mVrms
Carrier Leakage	C.L.	19kHz, L+R=180mV, P=20mVrms		31		dB
		38kHz, L+R=180mV, P=20mVrms		60		dB
Capture range	C.R.	P=20mVrms		+3		%
SCA Rejection Ratio	SCA Rej.	P=20mVrms, L+R=160mVrms, SCA=200mVrms, fSCA=67kHz		80		dB
Signal to Noise Ratio	S/N	Vi=200mVrms, Rg=620Ω		82		dB

DC ELECTRICAL CHARACTERISTICS

TERMINAL	ITEM DESCRIPTION	VALUE	UNIT
1	INPUT	0.7	V
2	LPF-1	2.4	V
3	VCC	3.0	V
4	VO	2.5	V
5	GND	0	V
6	ST. LAMP	-	V
7	LPF-2	2.4	V
8	L-CH OUTPUT	1.0	V
9	R-CH OUTPUT	1.0	V

UTC TA7342P LINEAR INTEGRATED CIRCUIT

TEST CIRCUIT



UTC assumes no responsibility for equipment failures that result from using products at values that exceed, even momentarily, rated values (such as maximum ratings, operating condition ranges, or other parameters) listed in products specifications of any and all UTC products described or contained herein. UTC products are not designed for use in life support appliances, devices or systems where malfunction of these products can be reasonably expected to result in personal injury. Reproduction in whole or in part is prohibited without the prior written consent of the copyright owner. The information presented in this document does not form part of any quotation or contract, is believed to be accurate and reliable and may be changed without notice.