

REVISION RECORD			
LTR	ECO NO.	APPROVED:	DATE:

COMPANY: Plastoform			
TITLE: PF305			
DRWNS: Hank	DATED: 20100916	CODE:	SIZE:
CHECKED:	DATED:	DRAWING NO:	REV:
QUALITY CONTROL:	DATED:	SCALE:	SHEET: OF
RELEASED:	DATED:		

6

5

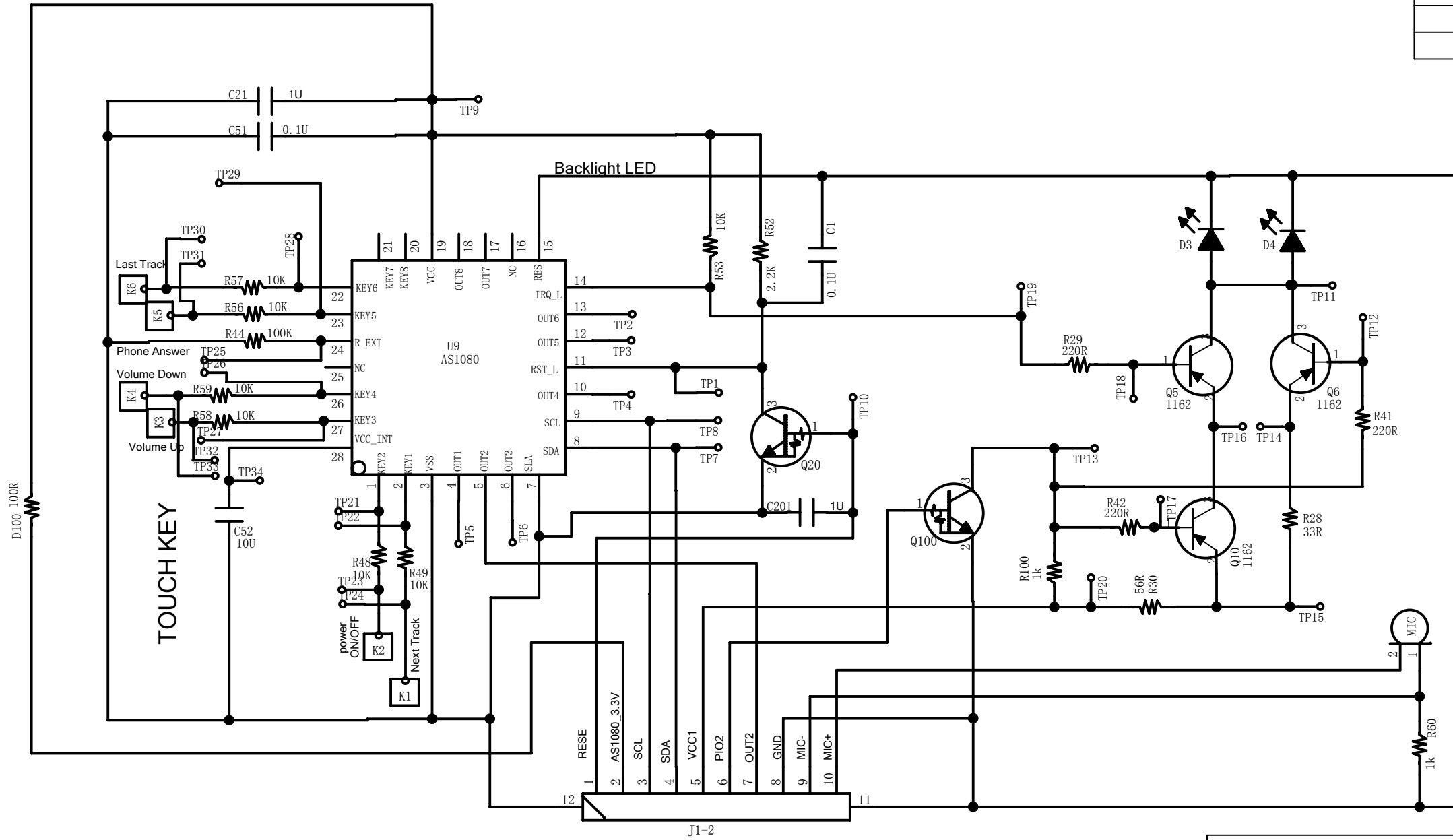
4

3

2

1

REVISION RECORD			
LTR	ECO NO:	APPROVED:	DATE:



COMPANY:		Plastoform	
TITLE:		PF305	
DRAWN:		DATED:	
CHECKED:		DATED:	
QUALITY CONTROL:		DATED:	
RELEASED:		DATED:	
SCALE:		SHEET: OF	
Hank		20100916	
CODE:	SIZE:	DRAWING NO:	REV:

DRAWN:	DATED:
CHECKED:	DATED:
QUALITY CONTROL:	DATED:
RELEASED:	DATED:

D

D

C

C

B

B

A

A