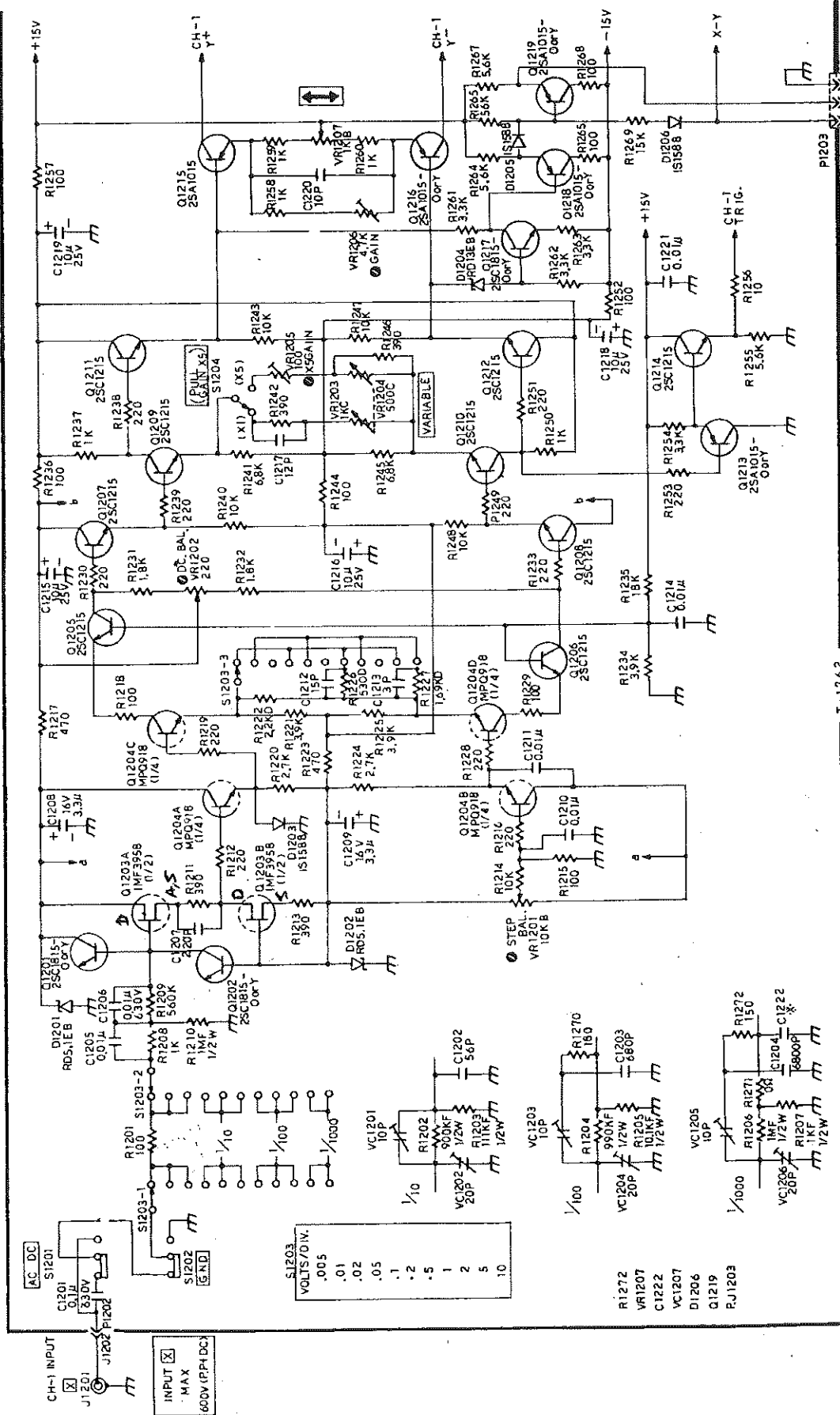
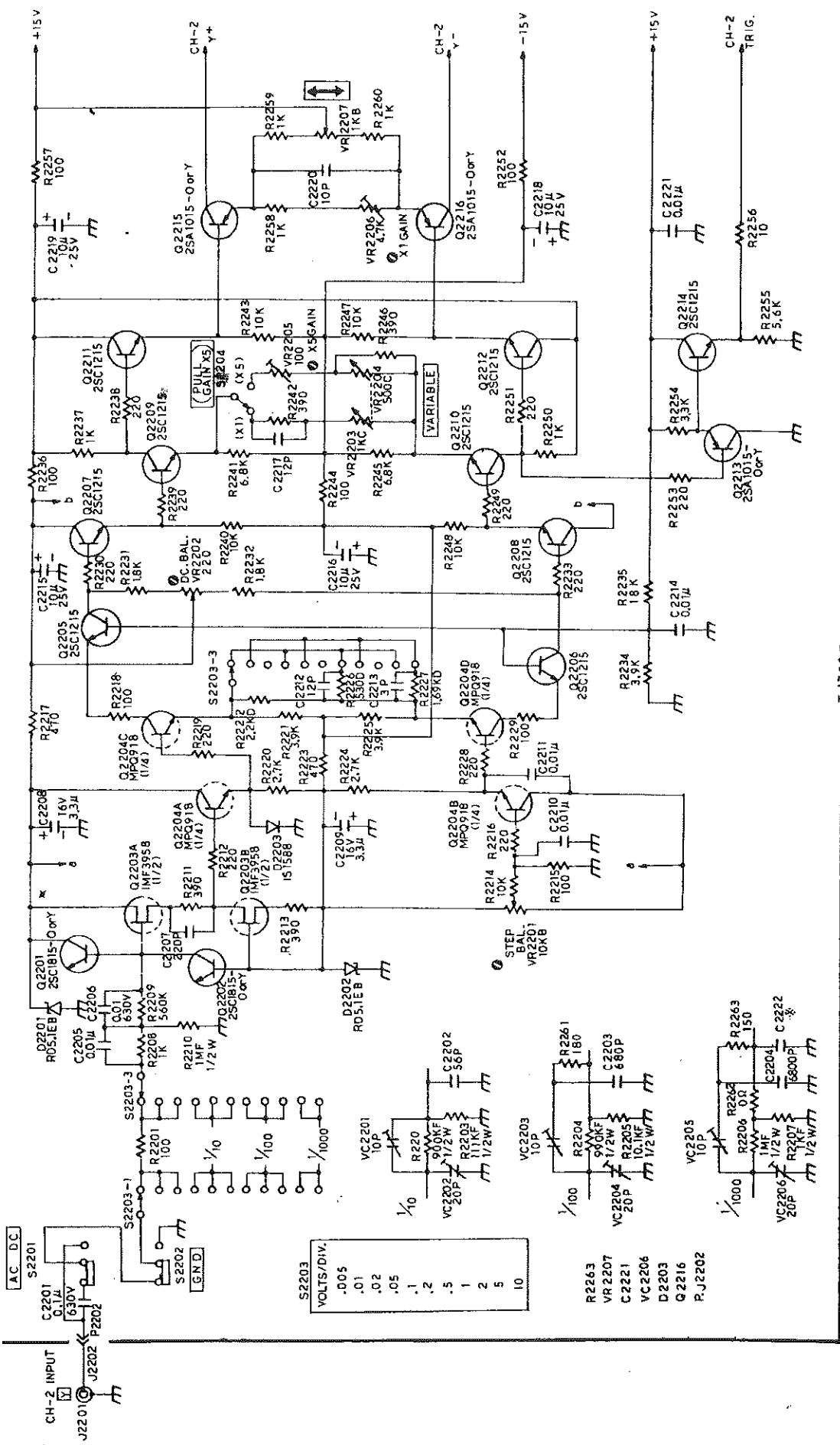


SCHEMATIC OSCILLOSCOPE Model L BO-514 BLOCK DIAGRAM O-1164 (1/7) LEADER ELECTRONICS CORP.



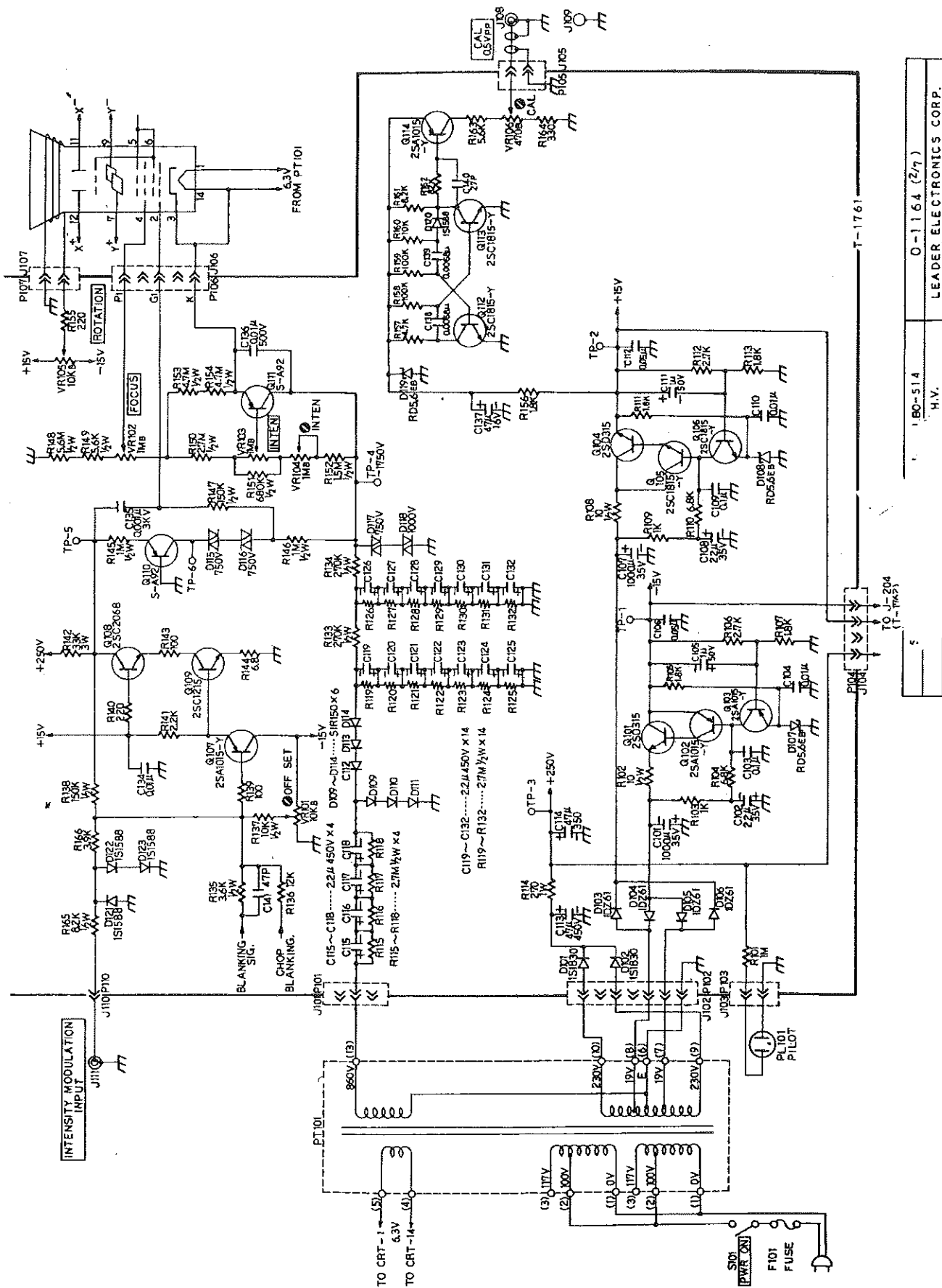
T-1762

SCHMATIC	Model LBO-514	O-1164 (3/7)
OSCILLOSCOPE	V. PREAMP CH-1	LEADER ELECTRONICS CORP.

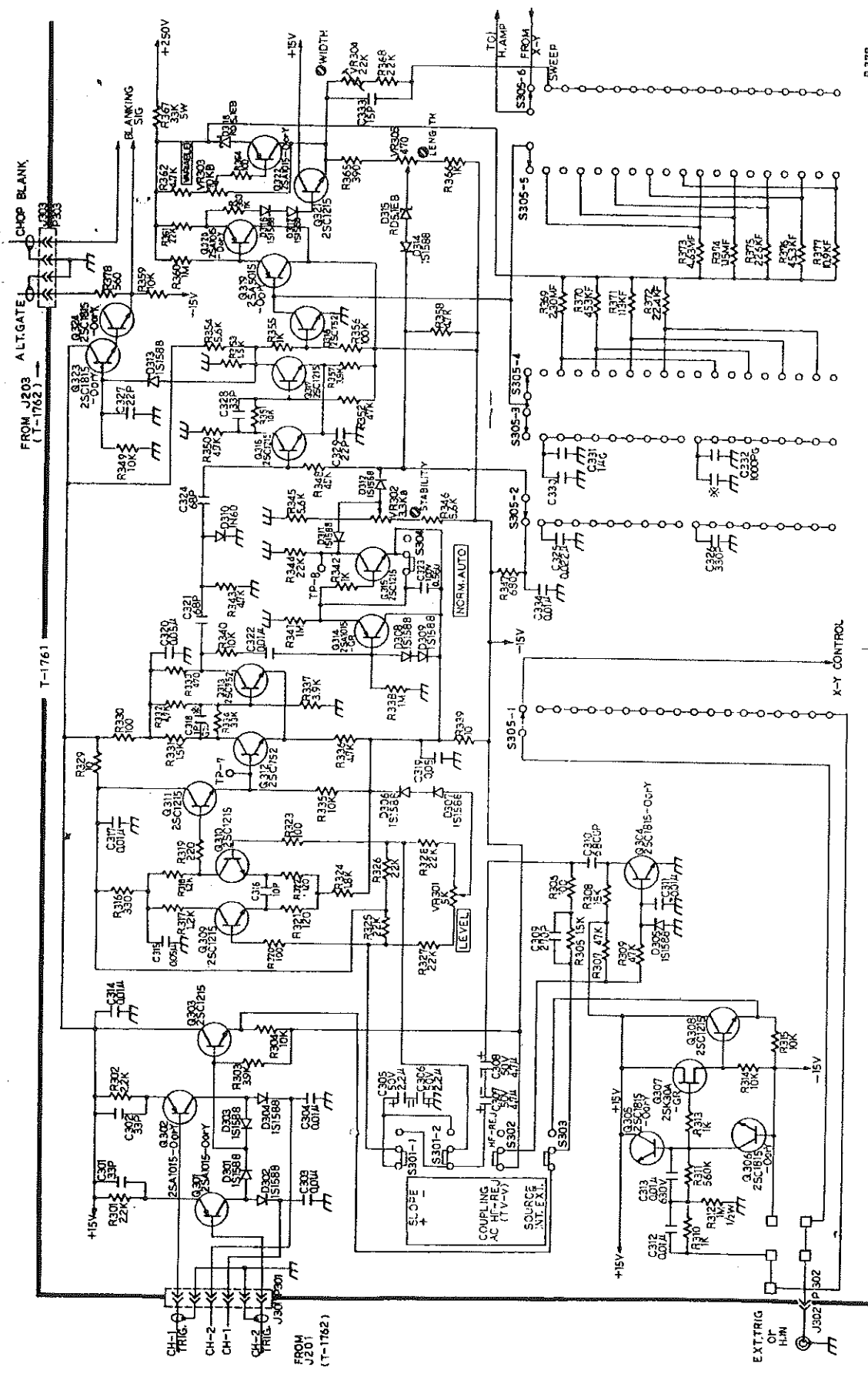


T-1762

SCHEMATIC	Model LBO-514	O-1164 (4/7)
OSCILLOSCOPE	V. PREAMP. CH-2	LEADER ELECTRONICS CORP.



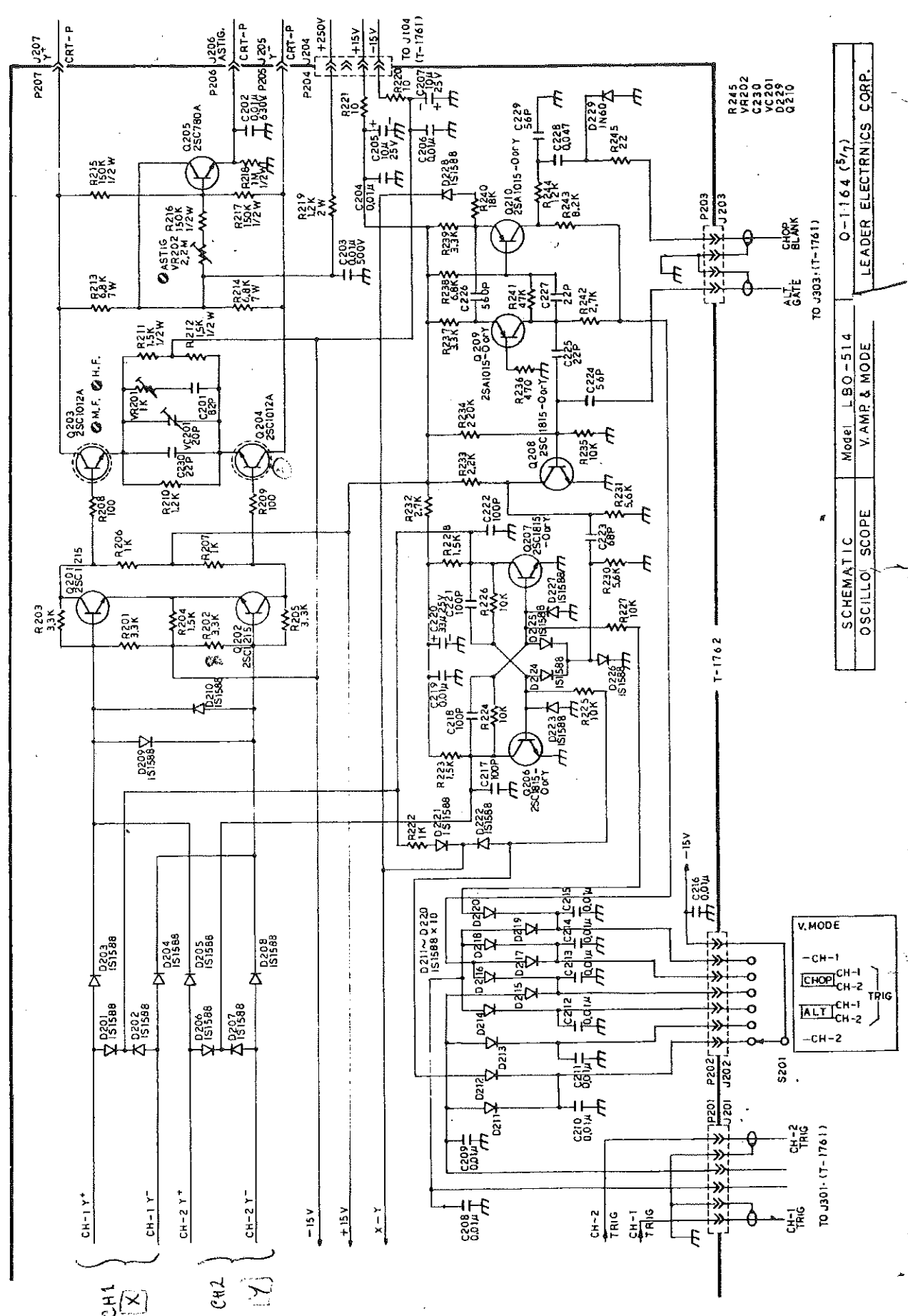
180-514
H.V.
O-1164 (2/7)
LEADER ELECTRONICS CORP.



- R378
- VR305
- C334
- D318
- Q324
- PJ303

SCHEMATIC	MOdBI	LBO-514	TRIG & SWEEP	0-1164 (6/7)	LEADER ELECTRONICS CORP.
OSCILLOSCOPE					

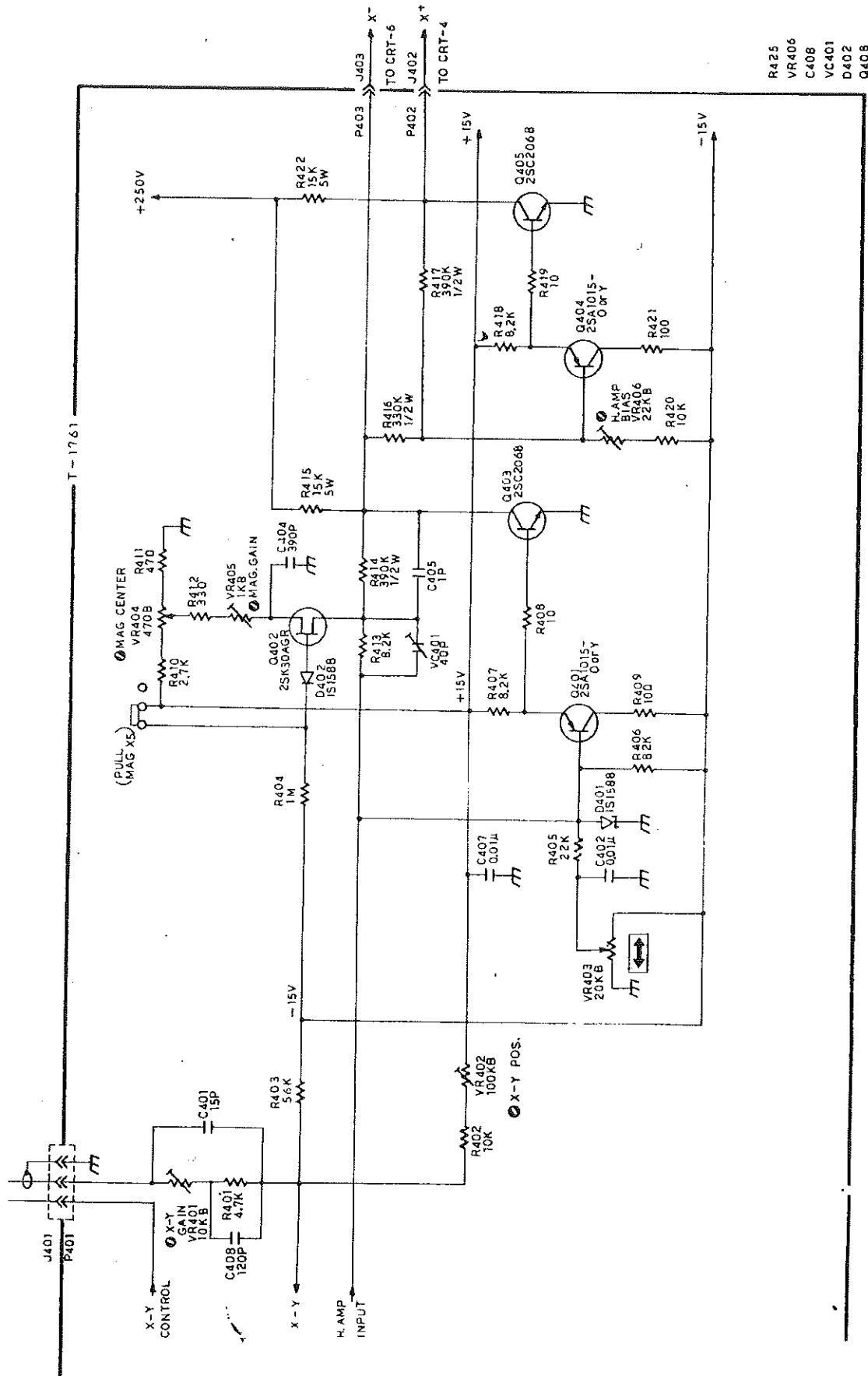
AVARIADO = 0 3 2 1 2 3 4 5 6 7 8 9 10 11 12 13 14 15 16 17 18 19 20 21 22 23 24 25 26 27 28 29 30 31 32 33 34 35 36 37 38 39 40 41 42 43 44 45 46 47 48 49 50 51 52 53 54 55 56 57 58 59 60 61 62 63 64 65 66 67 68 69 70 71 72 73 74 75 76 77 78 79 80 81 82 83 84 85 86 87 88 89 90 91 92 93 94 95 96 97 98 99 100



SCHEMATIC	Model LBO-514	O-1164 (5/7)
OSCILLOSCOPE	V.A.M.P. & MODE	LEADER ELECTRONICS CORP.

FROM J1203 (T-1762)

X-Y
X-Y SIG



T-1761

- R425
- VR406
- C408
- VC401
- D402
- Q408

SCHEMATIC	Model LBO-51.4	O-1164 (7/7)
OSCILLOSCOPE	HORIZONTAL AMP.	LEADER ELECTRONICS CORP.