

HCD-H881/H881D


SERVICE MANUAL



US Model
 Canadian Model
 HCD-H881/H881D
 AEP Model
 UK Model
 E Model
 Australian Model
 Tourist Model
 HCD-H881

- HCD-H881/H881D is the tuner, deck, CD and amplifier section in MHC-811, MHC-D7 and MHC-G88.

Photo : HCD-H881

Dolby noise reduction manufactured under license from Dolby Laboratories Licensing Corporation. "DOLBY" and the double-D symbol  are trademarks of Dolby Laboratories Licensing Corporation.

CD Section	Model Name Using Similar Mechanism	NEW
	CD Mechanism Type	CDM38-5BD19
	Base Unit Name	BU-5BD19
Tape deck Section	Model Name Using Similar Mechanism	NEW
	Tape Transport Mechanism Type	TCM-220WR2E

www.shareline.net

SPECIFICATIONS

for the U.S. model
AUDIO POWER SPECIFICATIONS
POWER OUTPUT AND TOTAL HARMONIC DISTORTION :
 with 8 ohm loads, both channels driven, from 40 - 20kHz ; rated 100 watts per channel minimum RMS power, with no more than 0.9 % total harmonic distortion from 250 milliwatts to rated output.

CD player section

System Compact disc and digital audio system
Laser Semiconductor laser
Wavelength 780 - 790 nm
Frequency response 2 Hz - 20 kHz (±0.5 dB)
Signal-to-noise ratio More than 90 dB
Dynamic range More than 90 dB
CD DIGITAL OUT OPTICAL
 (Square optical connector jack, rear panel)
Wavelength 600 nm
Output Level -18 dBm

Tuner section

FM stereo, FM/AM superheterodyne tuner

FM tuner section

Tuning range US, Canadian model :
 87.5 - 108MHz (100kHz step)
 EXCEPT US, Canadian, East European model :
 87.5 - 108MHz (50kHz step)
 East European model :
 FM 1 : 65 - 74MHz (10kHz step)
 FM 2 : 87.5 - 108MHz (50kHz step)

Antenna FM lead antenna
Antenna terminals 75 ohm unbalanced
Intermediate frequency 10.7 MHz

AM tuner section

Tuning range US, Canadian model :
 531 - 1,710kHz (with the tuning interval set at 9kHz)
 530 - 1,710kHz (with the tuning interval set at 10kHz)
 AEP, UK, East European, German model :
 MW : 531 - 1,602kHz (with the tuning interval set at 9kHz step)
 LW : 153 - 279kHz
 Italian model :
 MW : 522 - 1,611kHz (with the tuning interval set at 9kHz step)
 LW : 153 - 279kHz
 E, Saudi Arabia, Argentine, Hong Kong, Malaysia, Taiwan, Singapore, Australian, Tourist, Indonesia, CIS, Mexican, Thailand model :
 531 - 1,602 kHz (with the tuning interval set at 9 kHz)
 530 - 1,710 kHz (with the tuning interval set at 10 kHz)
 SW : 5.95 - 17.90MHz
 (E3, Saudi Arabia, Hong Kong, Tourist, Malaysia, Singapore, Indonesia, CIS model)

Antenna AM loop antenna, External antenna terminals
Intermediate frequency 450 kHz

Amplifier section

AEP, UK, German, Italian, East European, CIS model :
 DIN 50W+50W (8 ohm, 1kHz, 0.8% THD)
 RMS 60W+60W (8 ohm, 1kHz, 10% THD)
 MUSIC power output 105W+105W (8 ohm, 1kHz, 10% THD)
 US, Canadian model :
 FTC 100W+100W (8 ohm, 40 - 20kHz, 0.9% THD)
 Continuous RMS power output 120W+120W (8 ohm, 1kHz, 5% THD)
 Other model
Peak music power output 1200 W
Continuous RMS power output 80 W + 80 W (8 ohm at 1 kHz, 5 % THD)
Inputs
 VIDEO/MD IN (phono jacks):
 voltage 450 mV,
 impedance 47 kilohm
 MIX MIC (phono jacks):
 sensitivity 1 mV,
 impedance 10 kilohm

- Continued on page 2 -



MINI Hi-Fi COMPONENT SYSTEM
SONY

Outputs
 VIDEO/MD OUT (phono jacks):
 voltage 250 mV
 impedance 1 kilohm
 PHONES (stereo phone jack):
 accepts headphones of
 8 ohm or more
 SPEAKER:
 accepts impedance of 8 to
 16 ohm
 SURROUND/SUB SPEAKER:
 accepts impedance of
 16 ohm
 SUPER WOOFER:
 Voltage 1 V, impedance
 1 kilohms

Tape player section
Recording system
 4-track 2-channel stereo

Frequency response
 (DOLBY NR OFF)
 40 – 13,000 Hz (±3 dB),
 using Sony TYPE I cassette
 40 – 14,000 Hz (±3 dB),
 using Sony TYPE II cassette

Wow and flutter
 ±0.15% W. Peak (IEC)
 0.1% W. RMS (NAB)
 ±0.2% W. Peak (DIN)

Supplied accessories
 AM loop antenna (1)
 Remote RM-SC100F (1) (HCD-H881 : US, Canadian model)
 Remote RM-SD50 (1) (EXCEPT HCD-H881 : US, Canadian model)
 Sony SUM-3 (NS) batteries (2)
 FM lead antenna (1)
 Speaker cords (4)

General
 Power requirements

Destination	Power requirements	Power consumption
US model	120V AC, 60Hz	275W
Canadian model		300VA
Mexican model		190W
Malaysia, Thailand model	220 – 240V AC, 50/60Hz	190W
AEP, German, Italian, CIS, East European model	220 – 230V AC, 50/60Hz	145W
UK model	240V AC, 50/60Hz	145W
Australian model		190W
E, Saudi Arabia, Hong Kong, Tourist, Singapore, Argentine, Indonesia, Taiwan model	110 – 120V/220V – 240V AC, 50/60Hz Adjustable with the Voltage Selector	190W

Dimensions Approx. 280 × 325 × 360 mm
 (11 1/8 × 12 7/8 × 14 1/4 in)
 (w/h/d)
 incl. projecting parts and controls

Mass US, Canadian model
 Approx. 10kg (22 lb)
 AEP, UK, German, Italian, East European, CIS model
 Approx. 9.5kg (20 lb 15 oz)
 Other model
 Approx. 9.0kg (19 lb 14 oz)

Design and specifications are subject to change without notice.

TABLE OF CONTENTS

Section	Title	Page
	Specifications	1
1. SERVICING NOTES		5
2. GENERAL		
	Index to Parts and Controls	6
3. DISASSEMBLY		
	3-1. Front Panel Removal	7
	3-2. CD Block Removal	8
	3-3. Lid (A)/(B) Assy, Cassette, Mechanism Deck Block and HP/MIC Board Removal	8
4. ADJUSTMENTS		
	4-1. Mechanical Adjustments	9
	4-2. Electrical Adjustments	9
5. EXPLANATION OF IC TERMINALS		17
6. DIAGRAMS		
	6-1. Block Diagram – CD Section –	22
	6-2. Block Diagram – Main Section (1) –	24
	6-3. Block Diagram – Main Section (2) –	27
	6-4. Circuit Boards Location	31
	6-5. Printed Wiring Boards – Main Section –	33
	6-6. Schematic Diagram – Main Section (2/2) –	35
	6-7. Schematic Diagram – Main Section (1/2) –	37
	6-8. Schematic Diagram – Panel Section –	42
	6-9. Printed Wiring Boards – Panel Section –	44
	6-10. Printed Wiring Boards – BD Section –	47
	6-11. Schematic Diagram – BD Section –	49
	6-12. Schematic Diagram – TCB Section –	53
	6-13. Printed Wiring Boards – TCB Section –	57
	6-14. Printed Wiring Boards – Power Section –	60
	6-15. Schematic Diagram – Power Section –	63
	6-16. Schematic Diagram – Audio Section –	66
	6-17. Printed Wiring Boards – Audio Section –	69
	6-18. Printed Wiring Boards – Polar Section –	71
	6-19. Schematic Diagram – Polar Section –	71
7. EXPLODED VIEWS		
	7-1. Chassis Section	75
	7-2. Front Panel Section	77
	7-3. Mechanism Deck Section-1	78
	(TCM-220WR2E)	
	7-4. Mechanism Deck Section-2	79
	(TCM-220WR2E)	
	7-5. Disc Table Assy Section	80
	(CDM38-5BD19)	
	7-6. CDM Chassis Section	81
	(CDM38-5BD19)	
	7-7. Base Unit Section	82
	(BU-5BD19)	
8. ELECTRICAL PARTS LIST		83

Laser component in this product is capable of emitting radiation exceeding the limit for Class 1.

CLASS 1 LASER PRODUCT
LUOKAN 1 LASERLAITE
KLASS 1 LASERAPPARAT

This appliance is classified as a CLASS 1 LASER product. The CLASS 1 LASER PRODUCT MARKING is located on the rear exterior.



CAUTION ; INVISIBLE LASER RADIATION WHEN OPEN.
 AVOID EXPOSURE TO BEAM.
ADVARSEL ; USYNLIG LASERSTRÅLING VED ÅBNING NÅR
 SIKKERHEDSÅFBRYDERE ER UDE AF FUNKTION.
 UNDGÅ UDSÆTTELSE FOR STRÅLING.
VARO! ; AVATTAESSA JA SUOJALUKITUS OHITETTAESSA
 DLET ALTIINA LASERSATEILYLLE.
WARNING ; LASERSTRÅLING NÅR DENNA DEL ÅR ÖPPNÅD
 OCH SPARREN ÅR URKÖPPLAD.
ADVARSEL ; USYNLIG LASERSTRÅLING NÅR DEKSEL ÅPNES
 UNNGÅ EKSPONERING FOR STRÅLEN.

This caution label is located inside the unit.


CAUTION

Use of controls or adjustments or performance of procedures other than those specified herein may result in hazardous radiation exposure.

SAFETY-RELATED COMPONENT WARNING!!

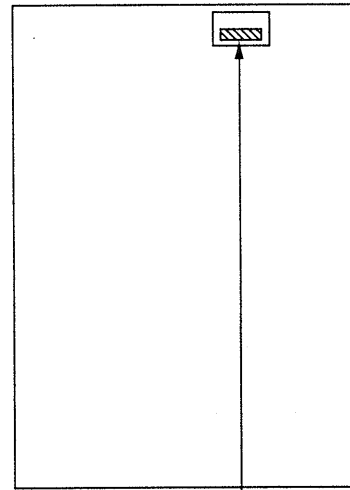
COMPONENTS IDENTIFIED BY MARK  OR DOTTED LINE WITH MARK  ON THE SCHEMATIC DIAGRAMS AND IN THE PARTS LIST ARE CRITICAL TO SAFE OPERATION. REPLACE THESE COMPONENTS WITH SONY PARTS WHOSE PART NUMBERS APPEAR AS SHOWN IN THIS MANUAL OR IN SUPPLEMENTS PUBLISHED BY SONY.

ATTENTION AU COMPOSANT AYANT RAPPORT À LA SÉCURITÉ!

LES COMPOSANTS IDENTIFIÉS PAR UNE MARQUE  SUR LES DIAGRAMMES SCHÉMATIQUES ET LA LISTE DES PIÈCES SONT CRITIQUES POUR LA SÉCURITÉ DE FONCTIONNEMENT. NE REMPLACER CES COMPOSANTS QUE PAR DES PIÈCES SONY DONT LES NUMÉROS SONT DONNÉS DANS CE MANUEL OU DANS LES SUPPLÉMENTS PUBLIÉS PAR SONY.

MODEL IDENTIFICATION

– BACK PANEL –



made in Malaysia

- 4-978-749-0 : US model (H881)
- 4-978-749-1 : Canadian model (H881)
- 4-979-269-0 : US model (H881D)
- 4-979-269-1 : Canadian model (H881D)
- 4-978-749-2 : AEP model
- 4-978-749-3 : UK model
- 4-978-749-4 : German model
- 4-978-749-5 : Italian model
- 4-978-749-6 : East European model
- 4-978-749-7 : CIS model
- 4-979-268-0 : E model
- 4-979-268-1 : Saudi Arabia, Taiwan model
- 4-979-268-2 : Australian model
- 4-978-268-3 : Mexican model
- 4-979-268-4 : Malaysia model
- 4-979-268-5 : Singapore model
- 4-979-268-6 : Argentine model
- 4-979-268-7 : Hong Kong model
- 4-979-268-8 : Tourist model

made in Indonesia

- 4-979-268-9 : Thailand, Saudi Arabia model

made in Thailand

- 4-979-277-0 : US model (H881)
- 4-979-277-1 : Canadian model (H881)
- 4-979-279-0 : US model (H881D)
- 4-979-279-1 : Canadian model (H881D)
- 4-979-277-2 : AEP model
- 4-979-277-3 : UK model
- 4-979-277-4 : German model
- 4-979-277-5 : Italian model
- 4-979-277-6 : East European model
- 4-979-277-7 : CIS model
- 4-979-278-0 : E, Indonesia model
- 4-979-278-2 : Australian model
- 4-979-278-3 : Mexican model
- 4-979-278-5 : Singapore model
- 4-979-278-6 : Argentine model
- 4-979-278-7 : Hong Kong model

SAFETY CHECK-OUT

After correcting the original service problem, perform the following safety check before releasing the set to the customer:

Check the antenna terminals, metal trim, "metallized" knobs, screws, and all other exposed metal parts for AC leakage. Check leakage as described below.

LEAKAGE TEST

The AC leakage from any exposed metal part to earth ground and from all exposed metal parts to any exposed metal part having a return to chassis, must not exceed 0.5 mA (500 microampers). Leakage current can be measured by any one of three methods.

1. A commercial leakage tester, such as the Simpson 229 or RCA WT-540A. Follow the manufacturers' instructions to use these instruments.
2. A battery-operated AC milliammeter. The Data Precision 245 digital multimeter is suitable for this job.
3. Measuring the voltage drop across a resistor by means of a VOM or battery-operated AC voltmeter. The "limit" indication is 0.75 V, so analog meters must have an accurate low-voltage scale. The Simpson 250 and Sanwa SH-63Trd are examples of a passive VOM that is suitable. Nearly all battery operated digital multimeters that have a 2V AC range are suitable. (See Fig. A)

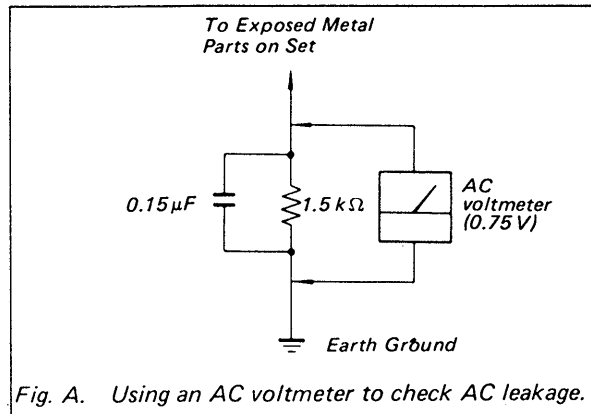


Fig. A. Using an AC voltmeter to check AC leakage.

SECTION 1 SERVICING NOTES

NOTES ON HANDLING THE OPTICAL PICK-UP BLOCK OR BASE UNIT

The laser diode in the optical pick-up block may suffer electrostatic breakdown because of the potential difference generated by the charged electrostatic load, etc. on clothing and the human body. During repair, pay attention to electrostatic breakdown and also use the procedure in the printed matter which is included in the repair parts. The flexible board is easily damaged and should be handled with care.

NOTES ON LASER DIODE EMISSION CHECK

The laser beam on this model is concentrated so as to be focused on the disc reflective surface by the objective lens in the optical pick-up block. Therefore, when checking the laser diode emission, observe more than 30cm away from the objective lens.

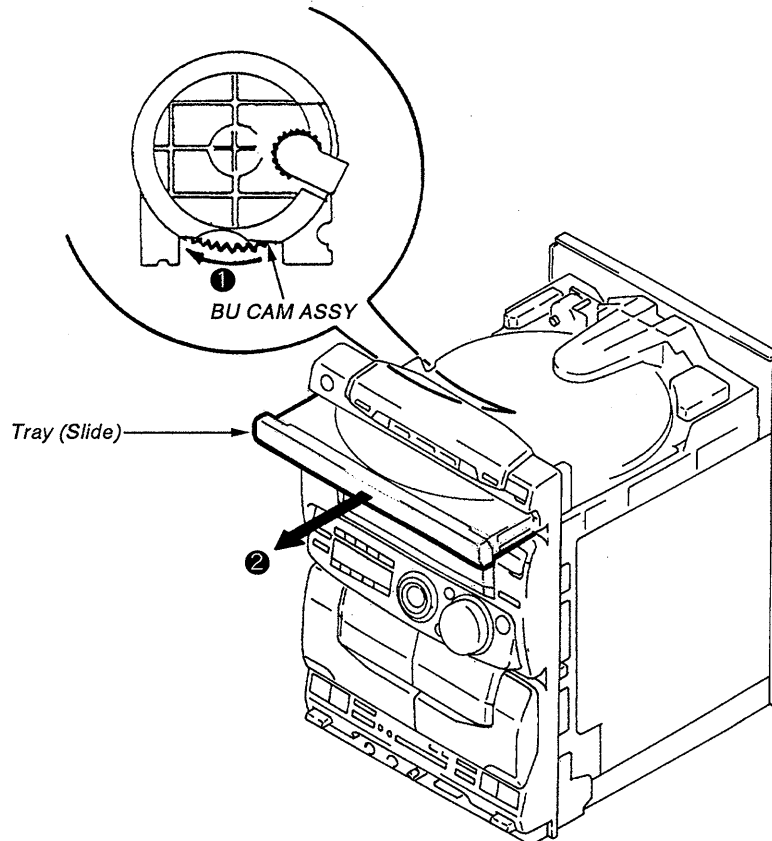
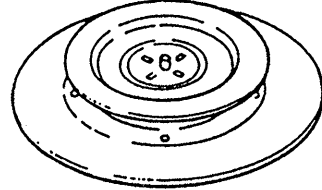
• Tray (Slide) getting out procedure on the power supply is OFF

Rotate the BU CAM assembly in the direction of the arrow and pull out the slide.

CHUCK PLATE JIG ON REPAIRING

On repairing CD section, playing a disc without the CD lid, use Chuck Plate Jig.

- Code number of Chuck Plate Jig : X-4918-255-1



SECTION 2 GENERAL

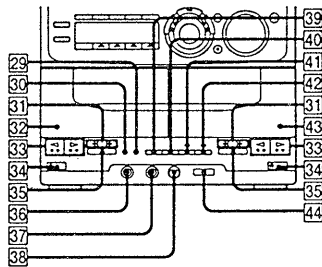
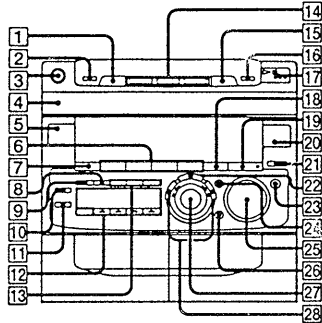
This section is extracted from instruction manual.

Index to Parts and Controls

Refer to the pages indicated in parentheses for details on how to use the controls. Controls with an asterisk have indicators on themselves.

Front Panel

Amplifier/Tuner section

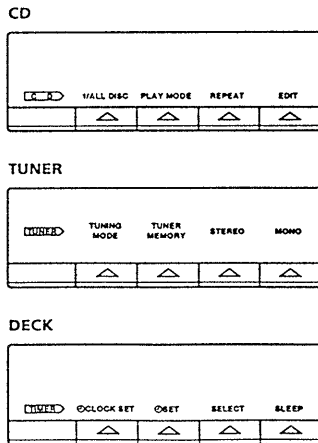


- 1 POWER switch
- 2 LOOP button
- 3 DISC SKIP button
- 4 Disc tray
- 5 TIMER button
- 6 MENU 1 - 4 button
- 7 DISPLAY/DEMO button
- 8 CLIP ERASE button
- 9 CLIP PLAY button
- 10 DSP button
- 11 DIGITAL ECHO button
- 12 MULTI FUNCTION CONTROL button
- 13 CLIP A - C button
- 14 DISC 1 - 3 button
- 15 OPEN/CLOSE EX-CHANGE button
- 16 ▷|| (play/pause) button*
- 17 ■ (stop) button
- 18 P FILE button
- 19 TUNER/BAND button*
- 20 EFFECT ON/OFF button*
- 21 FUNCTION button
- 22 ENTER/NEXT button
- 23 DBFB button
- 24 GROOVE button
- 25 VOLUME knob
- 26 SONIC FORMATION button
- 27 JOG dial
- 28 FREQUENCY +/- buttons
- 29 Deck A
- 30 DIRECTION button
- 31 DOLBY NR button
- 32 <</> (fast forward/rewind) button
- 33 ▷|| (play) button*
- 34 ■ (stop) button
- 35 EJECT button
- 36 PHONES jack
- 37 MIX MIC jack
- 38 Deck B

- 39 HIGH SPEED DUBBING button
- 40 CD SYNCHRO button
- 41 ● REC button
- 42 || PAUSE button
- 43 KARAOKE PON/MPX button
- 44 MIC LEVEL knob

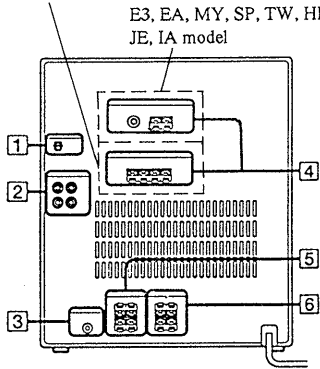
MULTI FUNCTION CONTROL buttons

The button you can operate the CD player, tuner and the tape player light up.



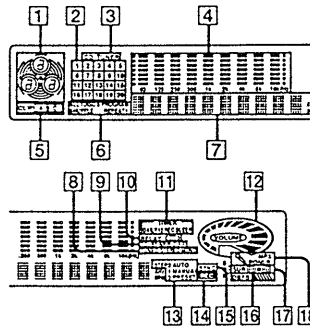
Rear panel

EXCEPT E3, EA, MY, SP, TW, HK, JE, IA model



- 1 CD DIGITAL OPTICAL OUT jack
- 2 VIDEO/MD in/out jacks
- 3 a super woofer jack (MHC-D7 only)
- 4 ANTENNA terminals
- 5 SURROUND SPEAKER L/R jacks
- 6 SPEAKER jacks

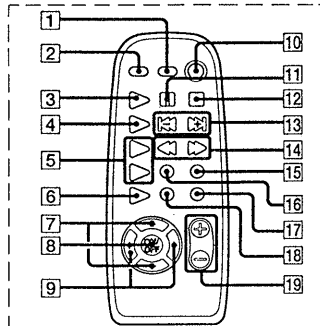
Display Window



- 1 Disc tray indicator
- 2 Music calendar
- 3 CD/TUNER indicator
- 4 Graphic Equalizer indicator
- 5 CLIP indicators
- 6 CD playback indicators
- 7 Multi display
- 8 Tuning indicator
- 9 DOLBY NR indicator
- 10 Timer indicators
- 11 Directon mode indicators
- 12 VOLUME indicators
- 13 Tuner indicators
- 14 SYNC REC indicator
- 15 DBFB indicator
- 16 SUR 1/2 indicators
- 17 Karaoke PON/MPX indicators

Remote

EXCEPT HCD-H881 : US, Canadian model

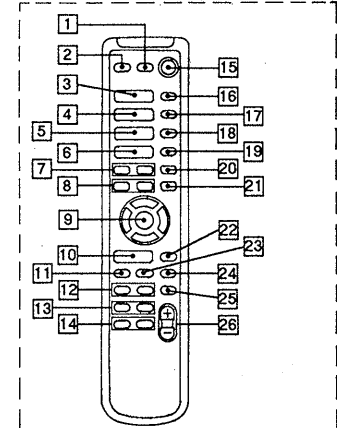


- 1 SLEEP button
- 2 LOOP button
- 3 CD ▷ button
- 4 TUNER/BAND button
- 5 DECK A ▷ / DECK B ▷ button
- 6 FUNCTION button
- 7 ∞ / ∞ button
- 8 MUSIC MENU ON/OFF button
- 9 ⏪ / ⏩ button
- 10 POWER switch
- 11 || (pause) button
- 12 □ (stop) button
- 13 ⏮ / ⏭ AMS* button
- 14 ⏮ / ⏭ (rewind/fast forward) button
- 15 EDIT button
- 16 CHECK button
- 17 DISC SKIP button
- 18 CLEAR button
- 19 VOL (+/-) button

* AMS=Auto Music Sensor

Remote

HCD-H881 : US, Canadian model



- 1 FUNCTION button
- 2 SLEEP button
- 3 CD ▷ (play) button
- 4 TUNER/BAND button
- 5 <</> (Deck A) button
- 6 <</> (Deck B) button
- 7 ⏪/⏩ (TUNING - / +) button
- 8 ⏮/⏭ (deck) button
- 9 MUSIC MENU SELECT ON/OFF button
- 10 ▷ (play) button
- 11 || button
- 12 ⏪/⏩ button } 100CD
- 13 ⏮/⏭ button
- 14 DISC SKIP - / + button
- 15 SYSTEM POWER switch
- 16 LOOP button
- 17 CHECK button
- 18 CLEAR button
- 19 D. SKIP button
- 20 ■ (stop) button
- 21 || (pause) button
- 22 REPEAT button
- 23 ■ (stop) button } 100CD
- 24 CHECK button
- 25 CLEAR button
- 26 VOLUME (+/-) button

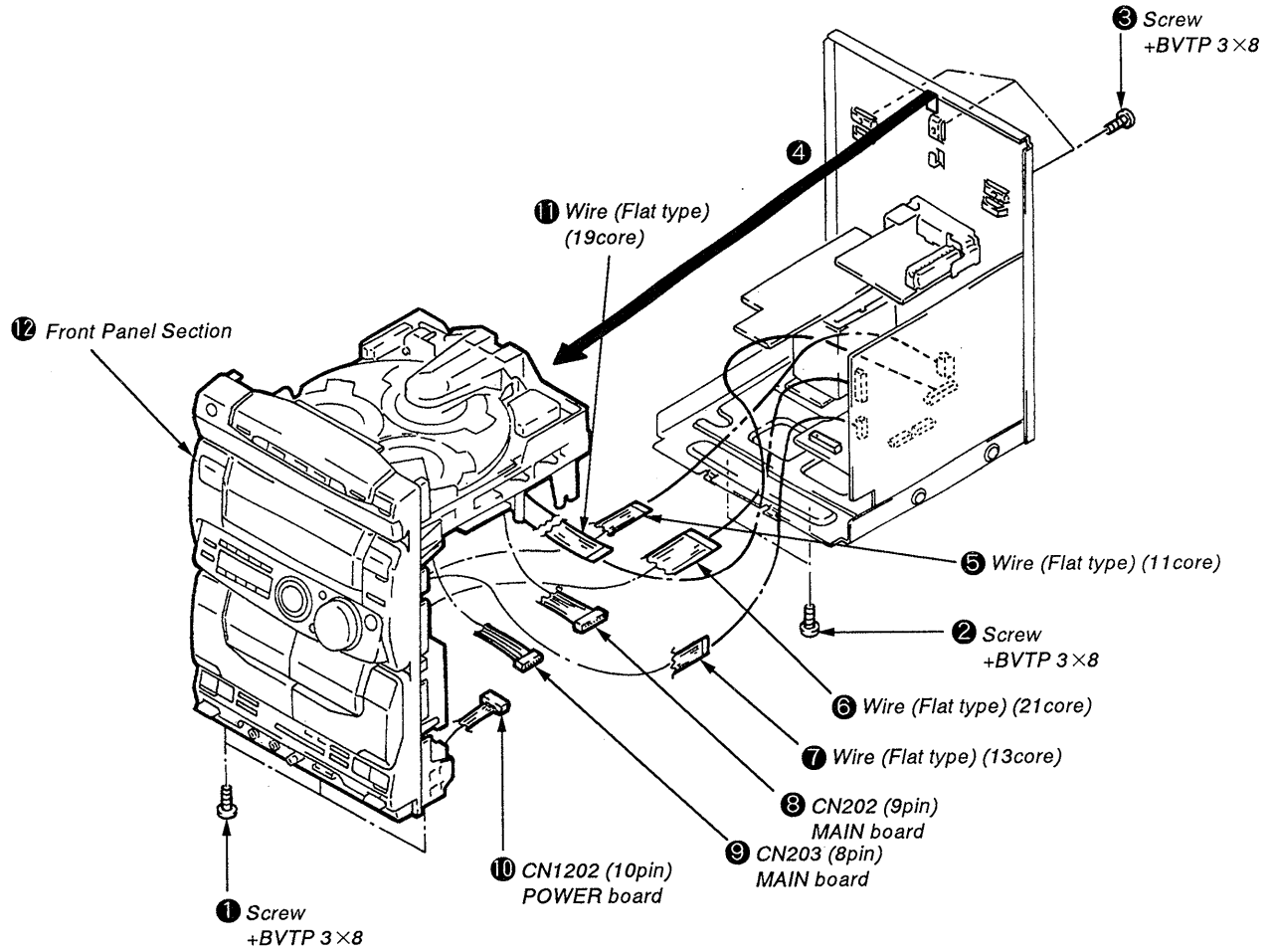
• Abbreviation

- E3 : Tuner sections SW BAND exist.
- EA : Saudi Arabia
- MY : Malaysia
- SP : Singapore
- TH : Thailand
- HK : Hong Kong
- JE : Tourist
- IA : Indonesia
- TW : Taiwan

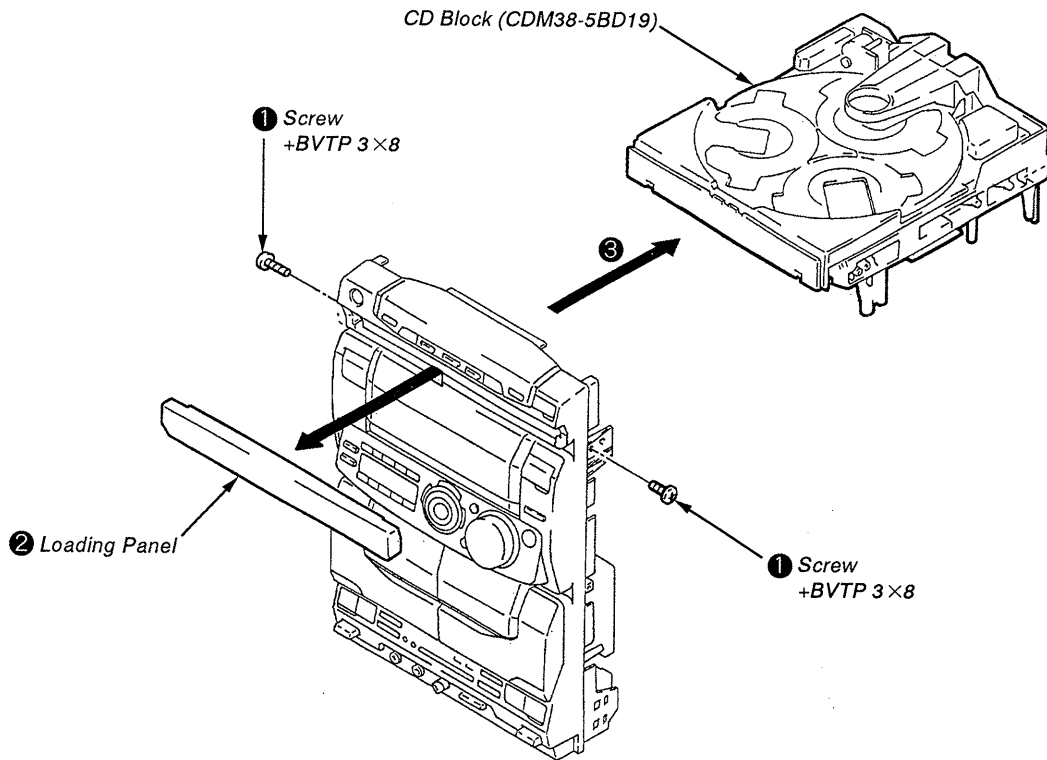
SECTION 3 DISASSEMBLY

Note : Follow the disassembly procedure in the numerical order given.

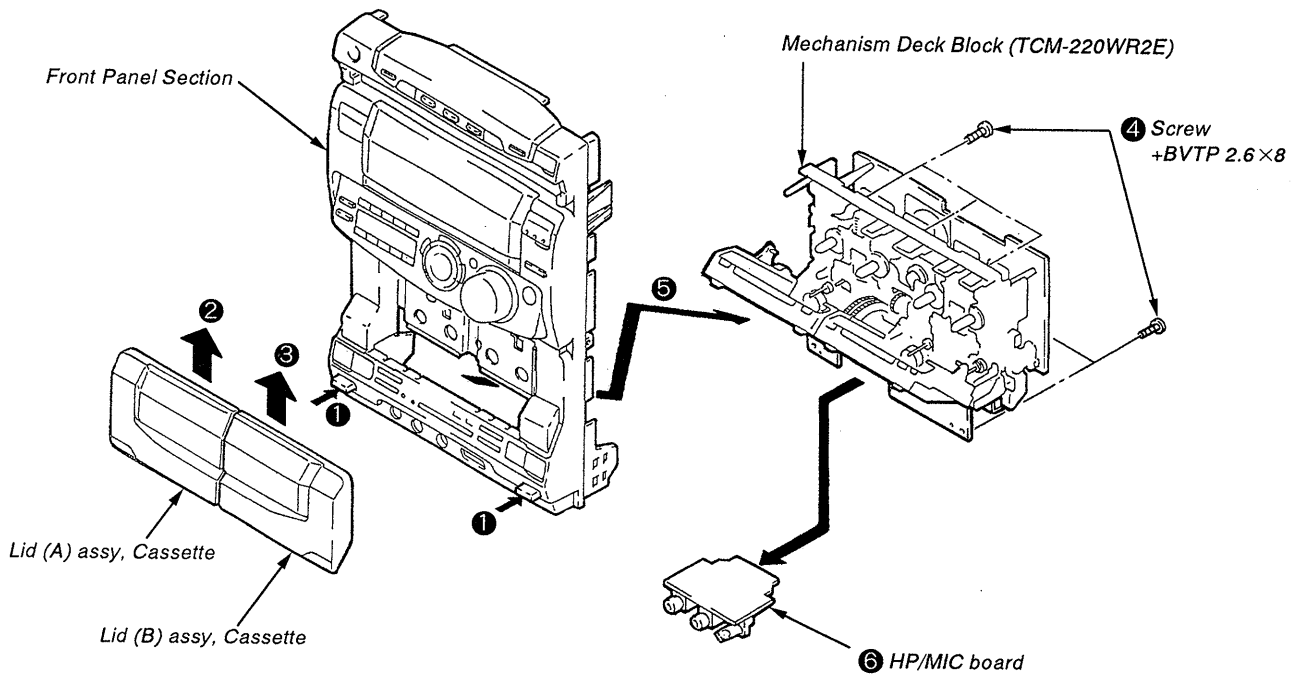
3-1. FRONT PANEL REMOVAL



3-2. CD BLOCK REMOVAL



3-3. LID (A)/(B) ASSY, CASSETTE, MECHANISM DECK BLOCK AND HP/MIC BOARD REMOVAL



SECTION 4 ADJUSTMENTS

4-1. MECHANICAL ADJUSTMENTS

PRECAUTION

1. Clean the following parts with a denatured-alcohol-moistened swab :

record/playback head	pinch roller
erase head	rubber belts
capstan	
2. Demagnetize the record/playback head with a head demagnetizer.
3. Do not use a magnetized screwdriver for the adjustments.
4. After the adjustments, apply suitable locking compound to the parts adjusted.
5. The adjustments should be performed with the rated power supply voltage unless otherwise noted.

• Torque Measurement

Mode	Torque Meter	Meter Reading
Forward	CQ-102C	36 to 61g•cm (0.50 – 0.84 oz•inch)
Forward Back Tension	CQ-102C	2 to 6g•cm (0.028 – 0.083 oz•inch)
Reverse	CQ-102RC	36 to 61g•cm (0.50 – 0.84 oz•inch)
Reverse Back Tension	CQ-102RC	2 to 6g•cm (0.028 – 0.083 oz•inch)
FF, REW	CQ-201B	61 to 143g•cm (0.85 – 1.99 oz•inch)

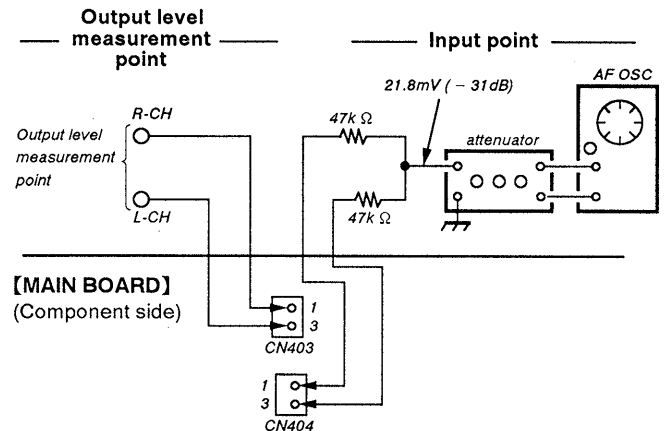
• Tape Tension Measurement

Mode	Tension Meter	Meter Reading
Forward	CQ-403A	more than 100g (3.53 oz)
Reverse	CQ-403R	more than 100g (3.53 oz)

4-2. ELECTRICAL ADJUSTMENTS

DECK SECTION

1. The adjustment should be performed in the publication.
(Be sure to make playback adjustment at first.)
2. The adjustment and measurement should be performed for both L-CH and R-CH.
 - Switch position
 - DOLBY NR switch : OFF
 - FUNCTION button : OFF
 - EFFECT switch : OFF
 - DBFB switch : OFF
3. Deck section electrical adjustments are made in test mode by pressing DISPLAY/DEMO, TUNER/BAND, MENU1 at the same time.
4. Input point and output level measurement point.



• Test Tape

Tape	Contents	Use
P-4-A100	10kHz, -10dB	Head Azimuth Adjustment
P-4-L300	315Hz, 0dB	Level Adjustment
WS-48B	3kHz, 0dB	Tape Speed Adjustment

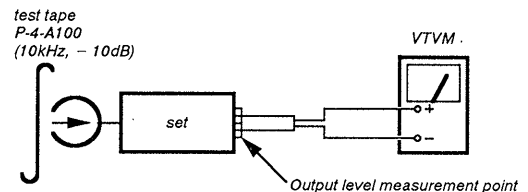
$$0 \text{ dB} = 0.775 \text{ V}$$

Record/Playback Head Azimuth Adjustment

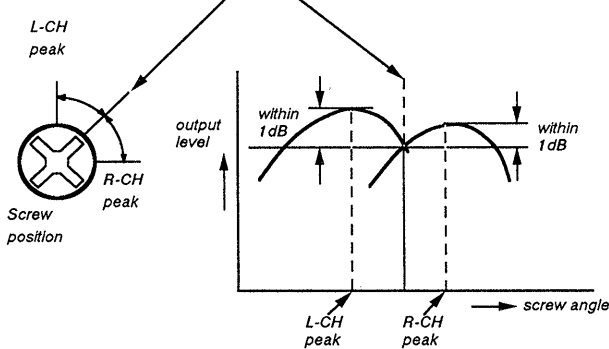
DECK A DECK B

Procedure :

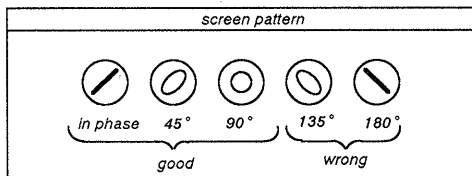
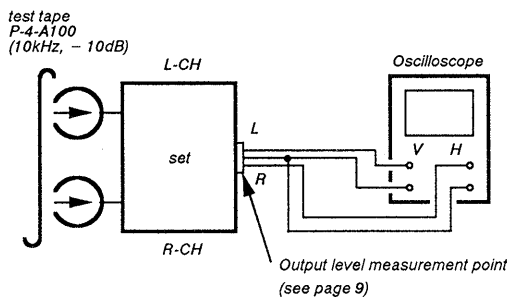
1. Forward Playback mode
- Reverse Playback mode



- Turn the adjustment screw for the maximum output levels. If these levels do not match, turn the adjustment screw until both of output levels match together within 1dB.



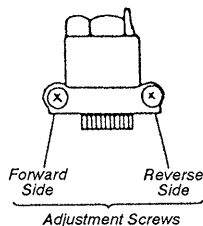
3. Playback Mode



- Change the review playback mode and repeat the steps 1 to 3.
- After the adjustment, lock the adjustment screw with suitable locking compound.

Adjustment Location :

– record/playback head (Deck A and B) –

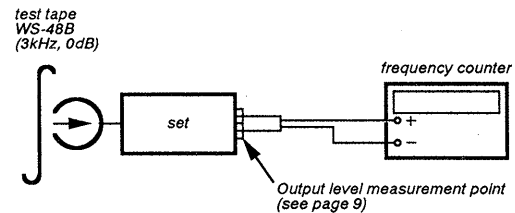


Tape Speed Adjustment DECK A DECK B

Procedure :

- Perform high speed adjustment before normal speed adjustment.

Mode : Playback



Speed	Deck	Adjustment	Frequency counter
* High	A	RV652	5,970 to 6,030Hz
	B	RV652	
Normal	A	RV651	2,940 to 3,090Hz
	B	RV651	

* Continue to press HIGH SPEED DUBBING switch (S545) in playback mode : High speed playback.

Frequency difference between the beginning and the end of the tape should be within $\pm 3\%$.

Frequency difference between deck A and deck B the beginning of the tape should be within 1.5%.

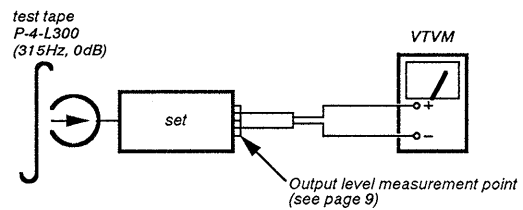
Adjustment Location : AUDIO board.

(see page 11)

Playback Level Adjustment DECK A DECK B

Procedure :

– FWD Playback Mode –



Deck A is RV311(L-CH) and RV411(R-CH), deck B is RV301 (L-CH) and RV401 (R-CH) so that adjustment within adjustment level as follows.

Adjustment Level :

LINE OUT level : $-7.5 \pm 0.5\text{dB}$ (0.31 to 0.35V)

Level Difference between Channels : within 0.5dB

Confirm the OUTPUT level does not change in playback mode while changing the mode from playback to stop several times.

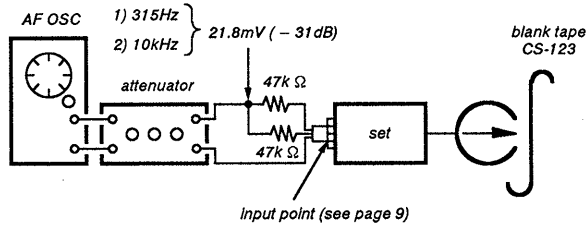
Adjustment Location : AUDIO board.

(see page 11)

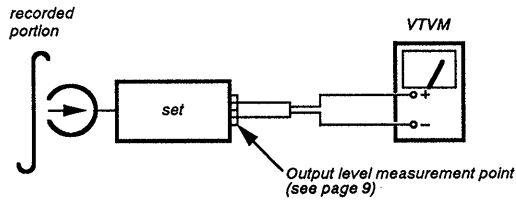
Record Bias Adjustment **DECK B**

Procedure :

1. Record mode



2. Playback mode



3. Confirm playback the signal recorded in step 1 become adjustment level as follows.
4. If these levels do not adjustment level, adjust the RV341 (L-CH) and RV441 (R-CH) to repeat step 1 and 4.

Adjustment level : Playback output of 315Hz to playback output of 10kHz : $\pm 0.5\text{dB}$ (- 1.3 to 1.3mV).

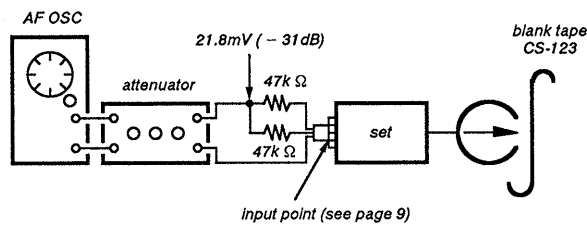
Adjustment Location : AUDIO board.

Record Level Adjustment **DECK B**

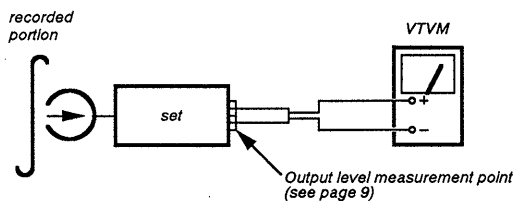
FUNCTION button : CD

Procedure :

1. Record mode



2. Playback mode



3. Confirm playback the signal recorded in step 1 become adjustment level as follows.
4. If these levels do not adjustment level, adjust the RV301 (L-CH) and RV351 (R-CH) to repeat step 1 and 4.

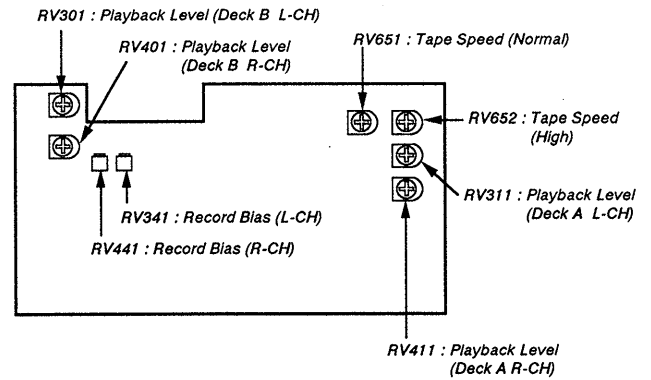
Adjustment Level :

OUT PUT level : $- 26\text{dB} \pm 0.5\text{dB}$ (36.7 to 41.1mV)

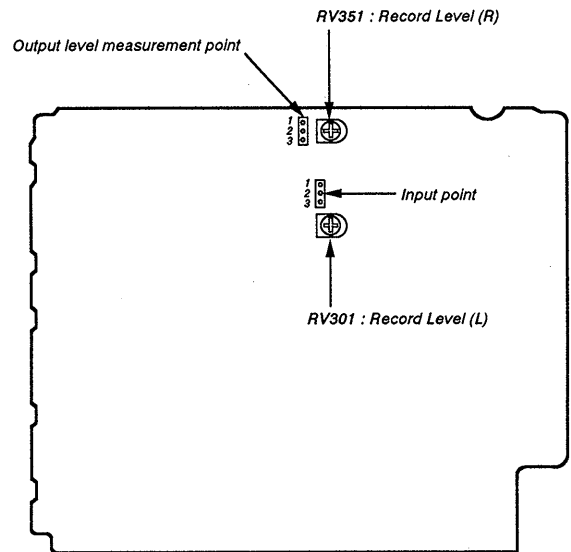
Adjustment Location : MAIN board

Adjustment Location

[AUDIO BOARD] – Component side –



[MAIN BOARD] – Component side –



TUNER SECTION

Precautions in Repairing

Note. 1 : The adjustment should be performed in the publication.

(MW → FM → SW)

Note. 2 : As a front-end (FE1) is difficult to repair if faulty, replace it with new one.

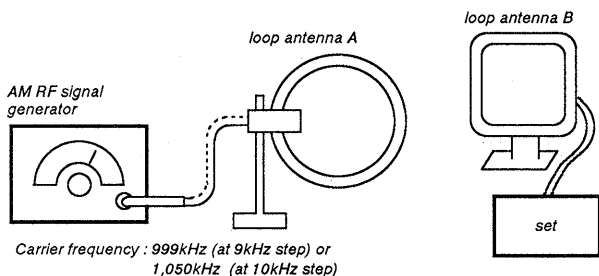
● Abbreviation

CND : Canadian	AUS : Australian
IT : Italian	JE : Tourist
G : German	AR : Argentine
EE : East European	E2 : Tuner sections SW BAND do not exist.
SU : Russian	E3 : Tuner sections SW BAND exist.
IA : Indonesia	MX : Mexican
EA : Saudi Arabia	TH : Thailand
HK : Hong Kong	
SP : Singapore	
MY : Malaysia	

MW Tuned Indication Lighting Level

Setting :

Band : MW



Procedure :

1. Set loop antenna A so that the loop antenna B input level becomes 55dB μ /m (0.6mV/m)
2. Tune the set to 999kHz (at 9kHz step) or 1,050kHz (at 10kHz step).
3. Adjust RV41 (AEP, UK, G, IT, E3, EA, MY, SP, HK, JE, IA, EE, CIS model), RV42 (US, CND, E2, AUS, AR, MX, TH model) so that the TUNED indicator goes on.

Adjustment Location : TCB board (see page 14)

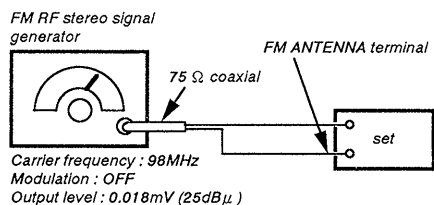
FM Tuned Indication Lighting Level

Note : Always make the tuning level adjustment first.

(Since it affects the the FM tuning level.)

Setting :

Band : FM



Procedure :

1. Tune the set to 98MHz.
2. Adjust RV41 (US, CND, E2, AUS, AR, MX, TH model), RV42 (AEP, UK, G, IT, E3, EA, MY, SP, HK, JE, IA, EE, CIS model) so that the TUNED indicator goes on.

Adjustment Location : TCB board (see page 14)

SW Control Voltage Adjustment (Frequency Coverage Adjustment) (E3, EA, MY, SP, HK, JE model)

Setting :

Band : SW

Procedure :

1. Connect digital Voltmeter to diode D1 center lead and ground.
2. Adjust for a following value reading on digital voltmeter.

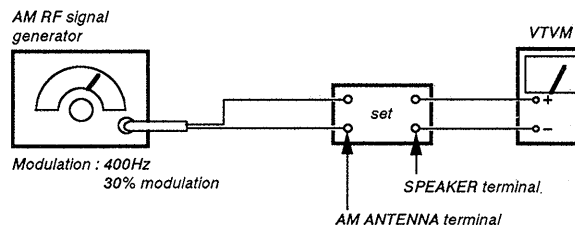
	Set frequency	Adjustment part	Reading on digital voltmeter
SW	5.95MHz	T2	1.2Vdc
	17.9MHz	CV2	8.5Vdc

Adjustment Location : TCB board (see page 14)

SW Tracking Adjustment (E3, EA, MY, SP, HK, JE, IA, CIS model)

Setting :

Band : SW



Procedure :

Adjust for maximum reading on VTVM

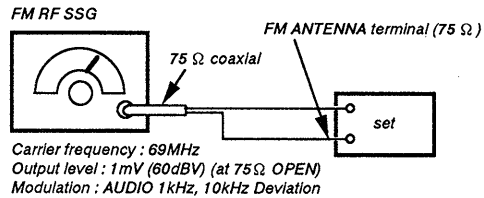
	Set frequency	Adjustment part
SW	7MHz	T1
	17MHz	CV1

- Repeat the procedures is each adjustment several times, and the frequency coverage and tracking adjustment should be finally done by the trimmer capacitors.

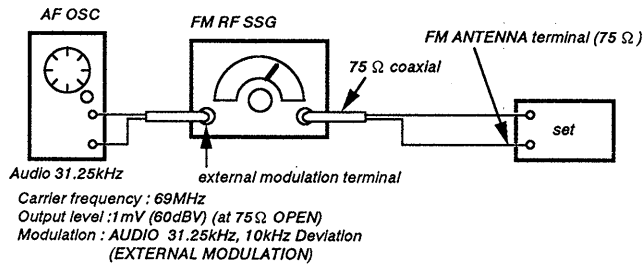
Adjustment Location : TCB board (see page 14)

FM Poler Adjustment (CIS model only)

Connection 1 :



Connection 2 :



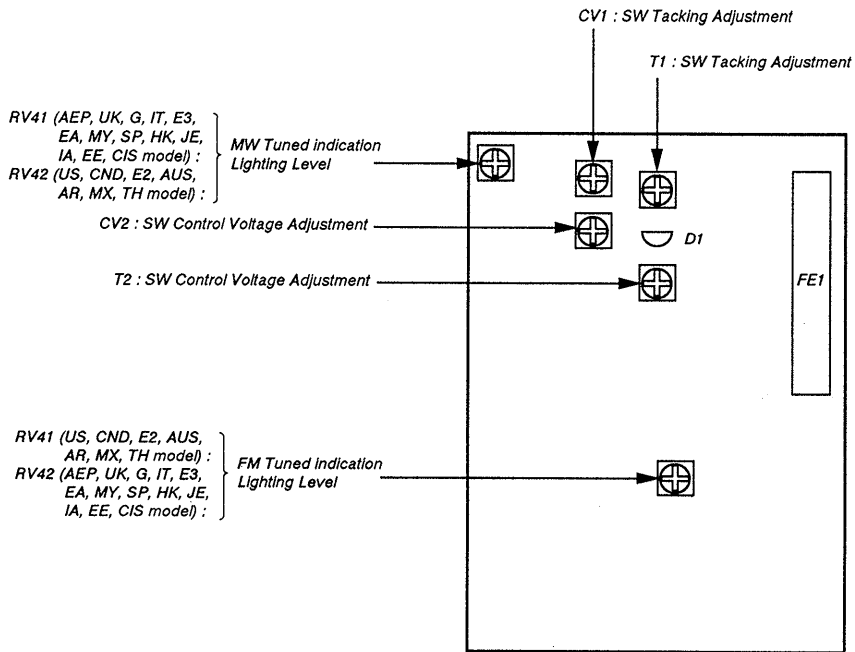
Procedure :

1. Set the modulation of FM RF SSG to AUDIO 1kHz, 10kHz deviation according to "Connection 1".
2. Tune the set to 69 MHz.
3. Adjust the RV1702 so that the reading of frequency counter connected to TP1702 becomes within $31.25\text{kHz} \pm 0.05\text{kHz}$. (VCO adjustment)
4. Then record the reading of the level meter connected to TP1701.
5. Set the modulation of FM RF SSG to AUDIO 31.25kHz, 10kHz deviation according to "Connection 2".
6. Tune the set to 69 MHz.
7. Set the CT1701 to be mechanical center.
8. Adjust the L1701 so that the reading of the level meter connected to TP1701 becomes maximum.
Then adjust the CT1701 so that the reading of the level meter connected to TP1701 becomes maximum. (SUB CARRIER PEAK Adjustment)
9. Adjust the RV1701 so that the level at the moment becomes 14dB higher value than the level recorded in step 4. (SUB CARRIER LEVEL Adjustment)

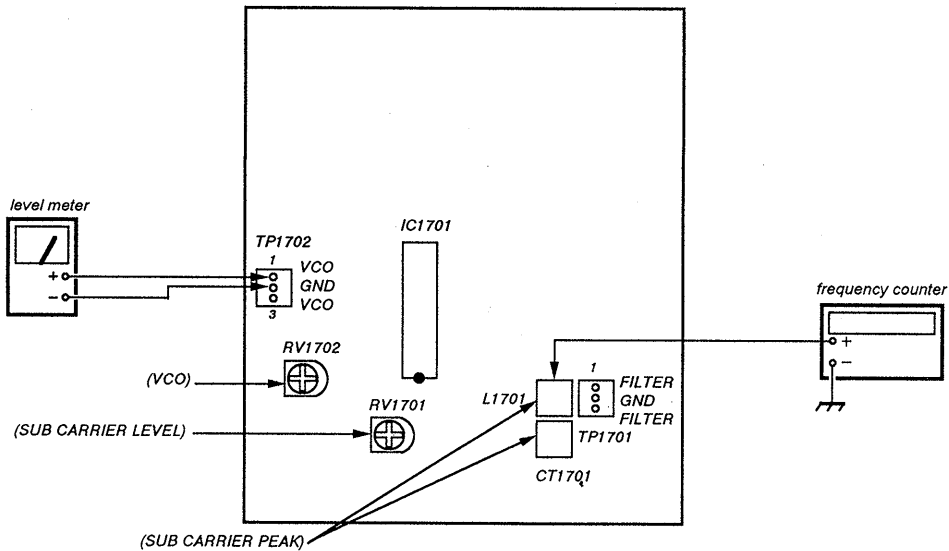
Adjustment Location : POLER board (see page 14)

Adjustment Location

[TCB BOARD] (Component side)



[POLER BOARD] (Component side)



CD SECTION

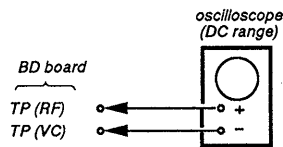
Note :

1. CD Block basically constructed to operate without adjustment. Therefore, check each item in order given.
2. Use YEDS-18 disc (3-702-101-01) unless otherwise indicated.
3. Use the oscilloscope with more than 10M Ω impedance.
4. Clean an object lens by an applicator with neutral detergent when the signal level is low than specified value with the following checks.

Focus Bias Adjustment

This adjustment is to be done when the optical block is replaced.

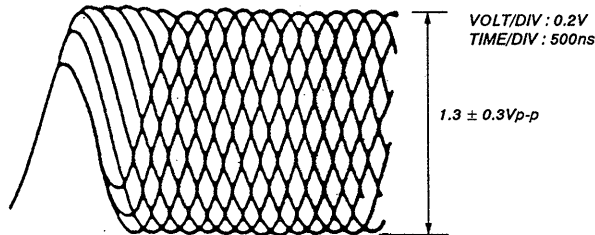
Adjustment procedure :



1. Connect oscilloscope to test point TP (VC) and TP (RF) on BD board.
2. Turned power switch ON. (Stop mode)
3. Put disc (YEDS-18) in and press the \triangleright button.
4. Adjust RV101 so that the oscilloscope waveform is as shown in the figure below (eye pattern).

A good eye pattern means that the diamond shape (\diamond) in the center of the waveform can be clearly distinguished.

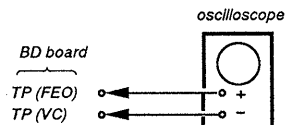
- RF signal reference waveform (eye pattern)



When observing the eye pattern, set the oscilloscope for AC range and raise vertical sensitivity.

Adjustment Location : BD board (see page 16)

S-Curve Check

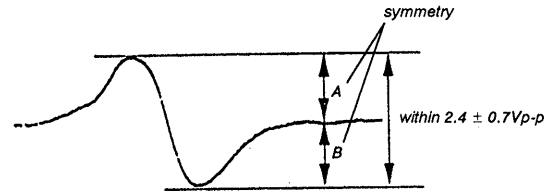


Procedure :

1. Connect oscilloscope to test point TP (FEO) and BD board.
2. Connect between test point TP (FOK) and GND by lead wire.
3. Turned Power switch on.
4. Put disc (YEDS-18) in and turned Power switch on again and actuate the focus search. (actuate the focus search when disc table is moving in and out.)

5. Check the oscilloscope waveform (S-curve) is symmetrical between A and B. And confirm peak to peak level within $2.4 \pm 0.7Vp-p$.

S-curve waveform

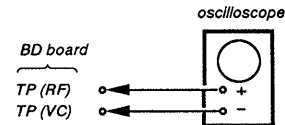


6. After check, remove the lead wire connected in step 2.

- Note :**
- Try to measure several times to make sure that the ratio of A : B or B : A is more than 10 : 7.
 - Take sweep time as long as possible and light up the brightness to obtain best waveform.

Adjustment Location : BD board (see page 16)

RF Level Check



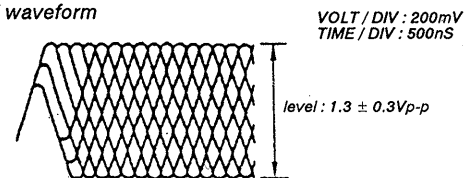
Procedure :

1. Connect oscilloscope to test point TP (RF) on BD board.
2. Turned Power switch on.
3. Put disc (YEDS-18) in and press the \triangleright button.
4. Confirm that oscilloscope waveform is clear and check RF signal level is correct or not.

Note :

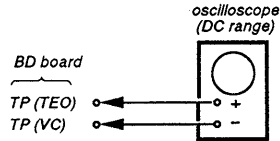
Clear RF signal waveform means that the shape " \diamond " can be clearly distinguished at the center of the waveform.

RF signal waveform



Adjustment Location : BD board (see page 16)

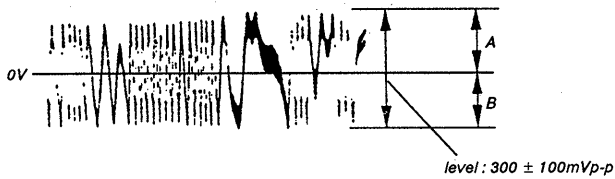
E-F Balance Check



Procedure :

1. Ground main board IC701 (pin 39) with the lead wire.
2. Connect oscilloscope to test point TP (TEO) on BD board.
3. Turned Power switch on.
4. Put disc (YEDS-18) in and press the ▷ button.
5. Confirm that the oscilloscope waveform is symmetrical on the top and bottom in relation to 0V, and check this level.

Traverse waveform



Specified value : ● $\frac{A-B}{2(A+B)} \times 100 = \text{less than } \pm 7\%$

● $A+B = 300 \pm 100\text{mVp-p}$

6. Remove the lead wire connected in step 1.

Focus/Tracking Gain Adjustment (RV102, RV103)

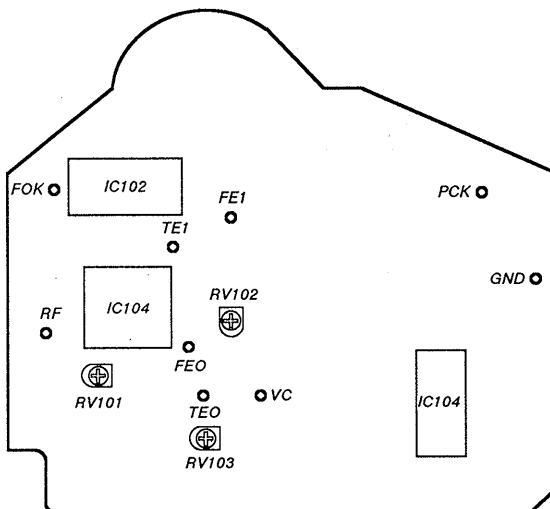
This gain has a margin, so even if it is slightly off. There is no problem.

Therefore, do not perform, this adjustment.

Please note that it should be fixed to mechanical center position when you moved and do not know original position.

Adjustment Location :

[BD BOARD] – Conductor side –



SECTION 5 EXPLANATION OF IC TERMINALS

IC500 ASD0204-012-3BA (SYSTEM CONTROL /FL DRIVE)

Pin No.	Pin name	I/O	Description
1	VDD	-	Power supply. (+5V)
2	LED8	O	LED drive output. (EFFECT ON/OFF, GROOVE)
3	LED7	O	LED drive output. (DECK B : ▷ PLAY, ◁ PLAY)
4	LED6	O	LED drive output. (DECK B : ● REC, ■ PAUSE)
5	LED5	O	LED drive output. (DECK A : ▷ PLAY, ◁ PLAY)
6	LED4	O	LED drive output. (TUNER/BAND, CLIP C)
7	LED3	O	LED drive output. (ENTER/NEXT, SONIC FORMATION)
8	LED2	O	LED drive output. (MULTI JOG STATION ◀◀/▶▶, ◀/▶)
9	LED1	O	LED drive output. (MULTI JOG STATION +/-)
10	RESET	I	Reset terminal.
11	X2	-	Oscillator connection terminal. (5MHz)
12	X1	-	Oscillator connection terminal. (5MHz)
13	IC (VPP)	-	GND connection.
14	XT2	-	Oscillator connection terminal. (Not used : OPEN)
15	JOG-B	I	JOG dial encoder input.
16	VDD	-	Power supply. (+5V)
17	LED10	O	LED drive output. (CLIP B, DSP)
18	LED9	O	LED drive output. (CLIP A, ECHO)
19	KEY-SEL	O	Not used. (OPEN)
20	VOL-B	I	Volume encoder input.
21	REQ-GM	O	Data Transmission request output to master control (IC701).
22	CLK-MG	I	Clock input for communications with master control (IC701).
23	DATA-GM	O	Serial data output from master control (IC701).
24	DATA-MG	I	Serial data input from master control (IC701).
25	AVSS	-	GND
26 - 29	SPEANA4 - 1	I	Spectrum analyzer signal input.
30 - 33	KEY4 - 1	I	Key data input. (A/D converter)
34	AVDD	-	Power supply for analog. (+5V)
35	AVREF	-	Reference Voltage for A/D converter. (+5V)
36	VOL-A	I	Volume encoder input.
37	JOG-A	I	JOG dial encoder input.
38	RDY-MG	I	Master control with Ready signal input. L : Ready
39	SIRCS	I	SIRCS signal input.
40	VSS	-	GND
41	LED14	O	LED drive output. (DISC 1)
42	LED SELECT	O	LED drive select output.
43	LED13	O	LED drive output. (▷◁)
44	LED12	O	LED drive output. (DISC 3)
45	LED11	O	LED drive output. (DISC 2)
46	VDD	-	Power supply. (+5V)
47 - 50	LEDS7 - 4	O	Not used. (OPEN)

Pin No.	Pin name	I/O	Description
51	LEDS3	O	LED drive output. (MULTI CD)
52	LEDS2	O	LED drive output. (MULTI TUNER)
53	LEDS1	O	LED drive output. (MULTI TIMER)
54 – 78	SEG32 – 8	O	Segment output to FL501.
79	V LOAD	–	Power supply for fluorescent indicator tube.
80 – 86	SEG7 – 1	O	Segment output to FL501.
87-100	GR14 – 1	O	Grid output to FL501.

IC701 TMP87CS64YF - 6361 (MASTER CONTROL)

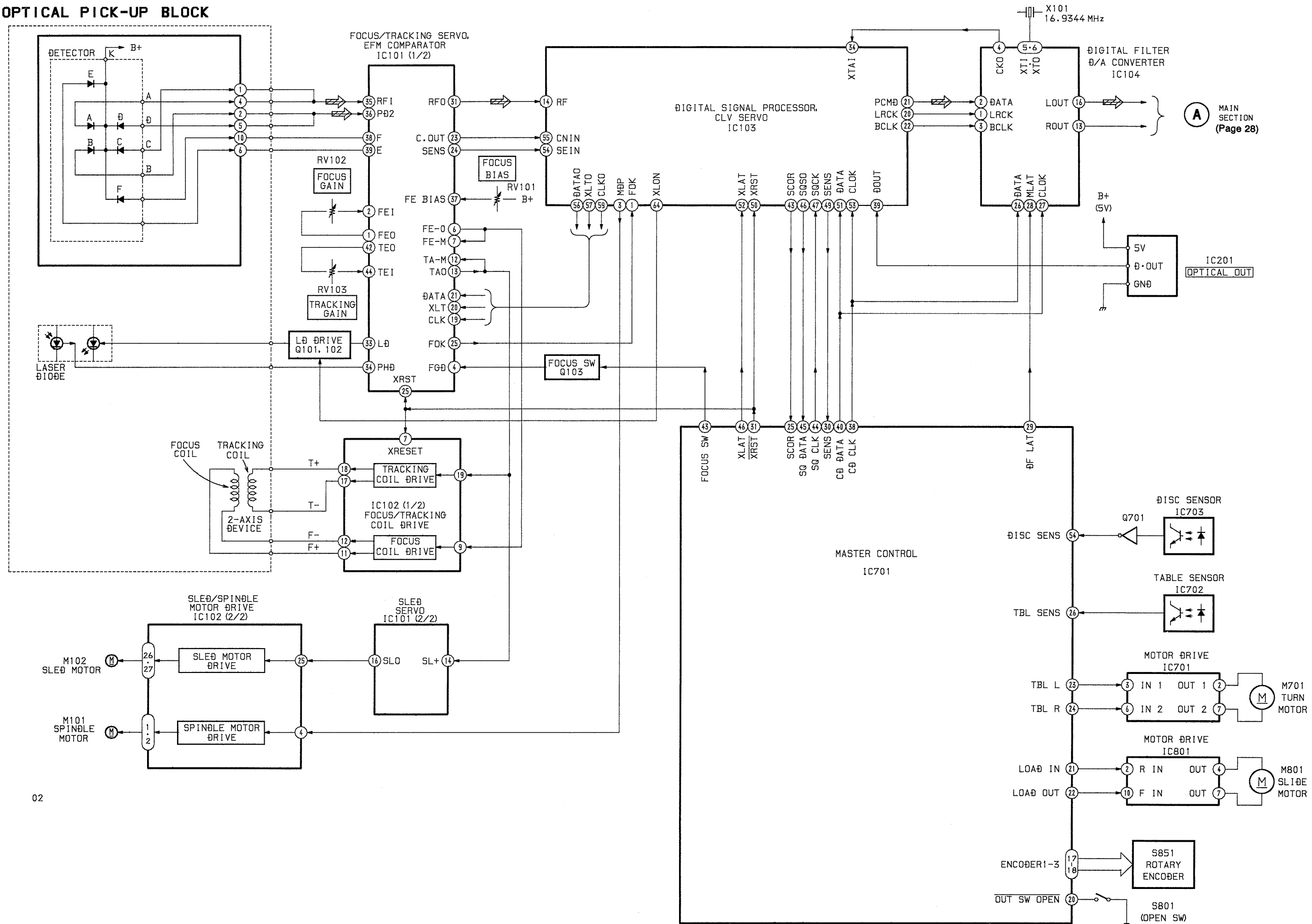
Pin No.	Pin name	I/O	Description
1	VSS	-	GND
2	X OUT	O	Oscillator connection terminal (10MHz).
3	X IN	I	Oscillator connection terminal (10MHz).
4	RESET	I	Reset signal input terminal. L : RESET
5	X OUT	O	Oscillator connection terminal (32KHz).
6	X IN	I	Oscillator connection terminal (32KHz).
7	GND (TEST)	-	Not used (GND).
8	AC CUT	I	Power supply DET input terminal.
9	SUPER WOOFFER ON	O	SUPER WOOFFER ON/OFF control.
10	ST MUTE ON	O	TUNER Mute ON/OFF control.
11	180 A PLAY	I	Not used (GND).
12	180 B PLAY	I	Not used (GND).
13	180 B REC	I	Not used (GND).
14	V • DET CLOCK CHECK	I	Voltage Detection terminal. (for CLOCK BACK UP)
15	DO UP (5CD)	I	UP/DOWN MOTOR control. Not used (OPEN).
16	TRY CLOSE (1CD)	I	Not used (GND).
17 - 19	ENCODER 1 - 3	I	Rotary encoder input terminal.
20	OUT SW OPEN	I	Loading out switch input.
21	LOAD IN	O	Loading Motor control output (Loading input).
22	LOAD OUT	O	Loading Motor control output (Loading output).
23	TBL-L	O	Table motor control output.
24	TBL-R	O	Table motor control output.
25	SCOR	I	Sub code SYNC input from DSP (IC103).
26	TBL SENS	I	Table Sensor input.
27	RDS INT	I	RDS DATA START signal input.
28	RDS DATA	I	RDS DATA input.
29	DF LAT	O	Latch output to the digital filter (IC104).
30	SENS	I	Sens signal input from the DSP (IC103).
31	XRST	O	CD reset signal output terminal.
32	MG • RDY	I/O	System control (IC500) with Ready signal input/output. L : Ready
33	ADJ	I	CD test mode terminal. L : ADJ Mode
34	GM REQ	I	Data transmission request input from system control (IC500).
35	MG CLK	O	Clock output for communications with system control (IC500).
36	GM DATA	I	Serial data input from system control (IC500).
37	MG DATA	O	Serial data output to system control (IC500).
38	CD CLK	O	Serial data transfer clock output to DSP (IC103) and digital filter (IC104).
39	ADJ 2	I	CD test mode terminal. L : ADJ 2 Mode
40	CD DATA	O	Serial data output to DSP (IC103) and digital filter (IC104).
41	DBFB ON	O	Not used (OPEN).
42	DBFB OFF	O	Not used (OPEN).
43	FOCUS SW	O	High-pass gain select output of the focus servo.
44	SQ CLK	O	Sub code Q read clock output to the DSP (IC103).
45	SQ DATA	I	Sub code Q data input from DSP (IC103).

Pin No.	Pin name	I/O	Description
46	X-LAT	O	Serial data latch output to the DSP (IC103).
47	TEST	O	Terminal for test mode.
48	VAREF	-	Reference Voltage for A/D converter. (+5V)
49	VASS	-	GND for analog (GND).
50	VSS	-	GND
51	VDD	-	Power supply. (+5V)
52	SPEC	I	Terminal for mechanism selection.
53	DESTINATION	I	Terminal for model selection.
54	DISC SENS	I	Disc Sensor input terminal.
55	TC RELAY	O	REC/PB head selector signal output.
56	A-SHUT	I	Deck-A reel table detect.
57	B-SHUT	I	Deck-B reel table detect.
58	B-HALF	I	Deck-B cassette detect.
59	A-HALF	I	Deck-A cassette detect.
60	220 A PLAY	I	Deck-A play detect.
61	220 B PLAY	I	Deck-B play detect.
62	62427-LAT	O	Serial data latch output to IC 901.
63	K-CON-LAT	O	Not used (OPEN).
64	VOL-LAT (AV)	O	Not used (OPEN).
65	FRONT • SP RELAY B	O	Front speaker Relay Drive output.
66	REAR • SP RELAY C	O	Rear speaker Relay Drive output.
67	$\overline{\text{POWER ON}}$	O	Power ON output. L : ON
68	CD POWER	O	CD power switch output.
69	$\overline{\text{PROLOG LAT}}$	O	Not used (OPEN).
70	$\overline{\text{MUTE}}$	O	Mute ON/OFF control. L : Mute ON
71	COM CLK	O	System clock (COM) output.
72	COM DIN	I	Serial data input from tuner.
73	COM DATA	O	Serial data (COM) output.
74	$\overline{\text{K-COM-ON}}$	O	Not used (OPEN).
75	RIGID LED	O	Not used (OPEN).
76	MD/VIDEO	O	MD/VIDEO level chage output. (not used)
77	$\overline{\text{DBFB HIGH}}$	O	DBFB LOW/HIGH control. L : DBFB High
78	$\overline{\text{CD PWM SEL}}$	O	Tray mechanism control selection (GND connection).
79	$\overline{\text{PRO LOGIC RELAY}}$	O	Not used (OPEN).
80	$\overline{\text{TC-A}}$	O	Deck A/B Selection output. L : Deck-A
81	$\overline{\text{NORM}}$	O	NORMAL/HIGH Selection output. L : Normal (for tape EQ)
82	$\overline{\text{BIAS OFF}}$	O	Bias ON/OFF Selection output. L : Bias OFF
83	$\overline{\text{REC MUTE}}$	O	REC Mute ON/OFF Selection output. L : Mute ON
84	$\overline{\text{NR OFF}}$	O	NR ON/OFF Selection output. L : NR OFF
85	$\overline{\text{PB}}$	O	REC/PB Selection output. L : PB
86	$\overline{\text{PASS • AMP/DOLBY}}$	O	Dolby pass signal output.
87	$\overline{\text{LINE MUTE ON}}$	O	Line mute signal output. L : Mute ON
88	$\overline{\text{CAP • M HIGH}}$	O	Capstan moter HIGH/LOW Selection output. L : High
89	A – TRG	O	Trigger motor control output.
90	B – TRG	O	Trigger motor control output.

Pin No.	Pin name	I/O	Description
91	$\overline{\text{TRG LOW}}$	O	Trigger motor HIGH/LOW control output. L : LOW
92	$\overline{\text{CAP} \cdot \text{M ON}}$	O	Capstan motor ON/OFF control output. L : ON
93	$\overline{\text{STEREO}}$	I	FM/AM Stereo identification. L : Stereo
94	$\overline{\text{TUNED}}$	I	FM/AM Tuning identification. L : Tuning
95	ST-CE	O	Chip enable output to Tuner.
96	$\overline{\text{DELAY SEL} \cdot \text{MIC}}$	O	Not used (OPEN).
97	$\overline{\text{DELAY ON}}$	O	Delay ON/OFF control output. L : Delay ON
98	DELAY LEVEL-A	O	Delay level control output.
99	DELAY LEVEL-B	O	Delay level control output.
100	VDD	-	Power supply. (+5V)

SECTION 6
DIAGRAMS

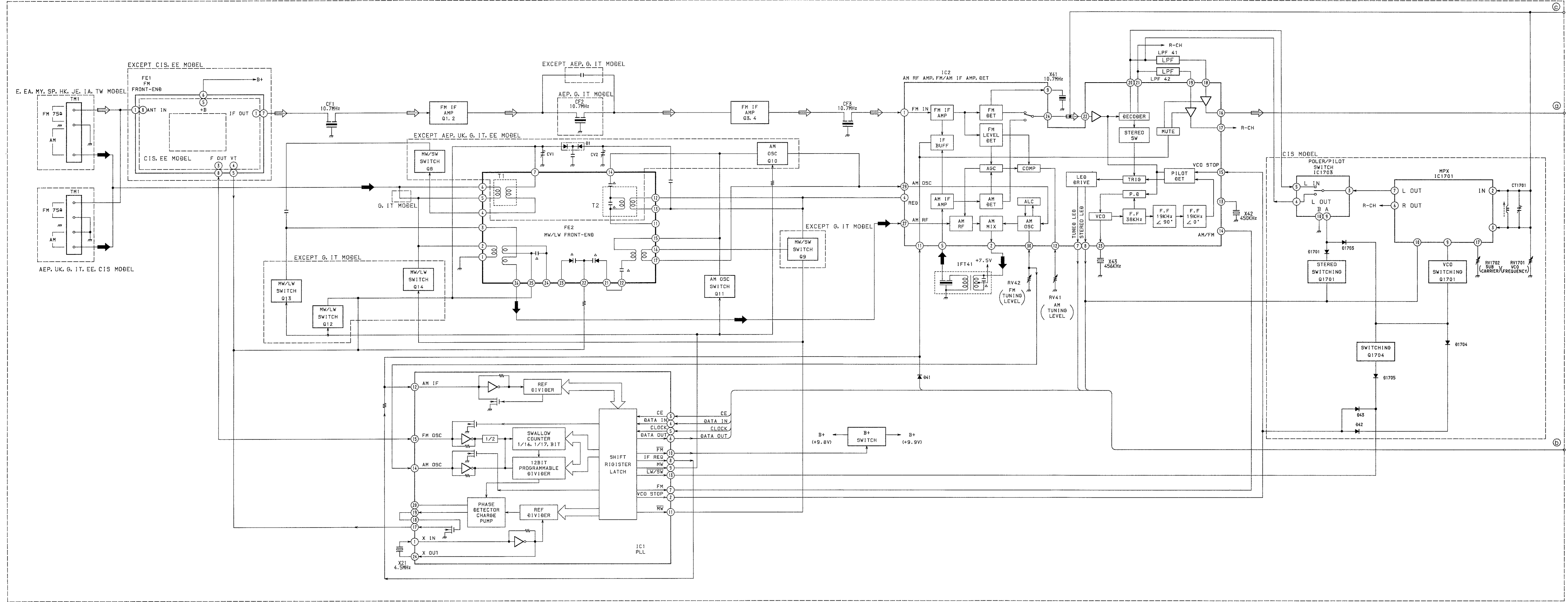
6-1. BLOCK DIAGRAM - CD SECTION -
OPTICAL PICK-UP BLOCK



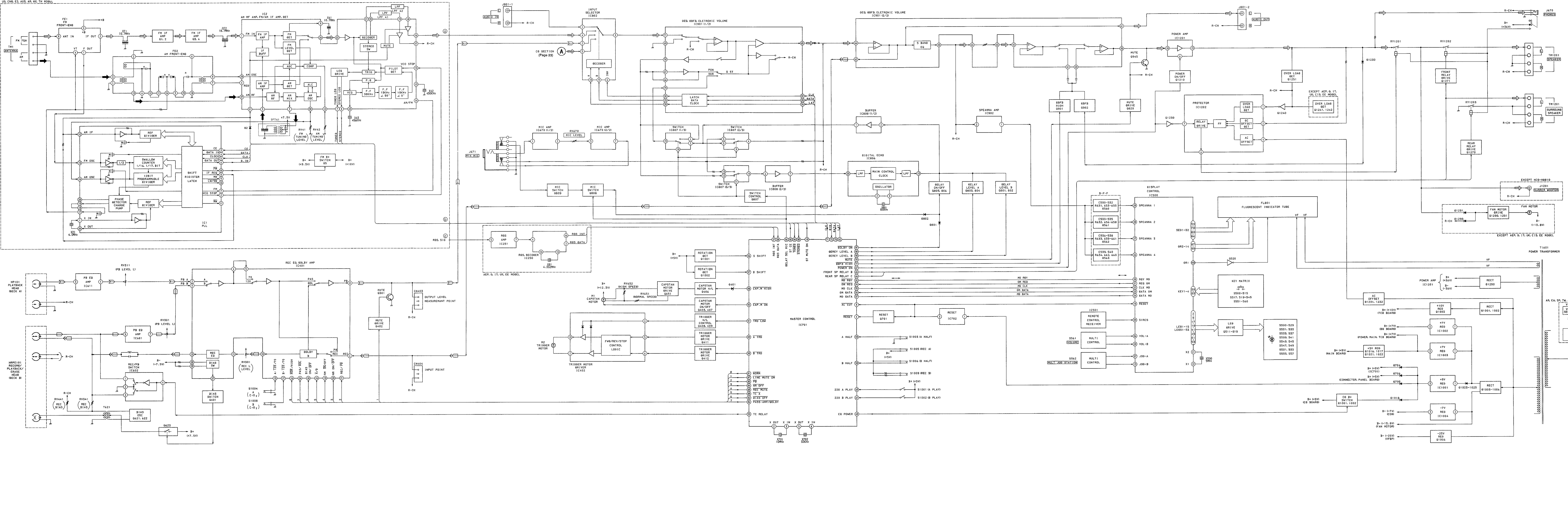
A MAIN SECTION
(Page 28)

6-2. BLOCK DIAGRAM - MAIN SECTION (1) -

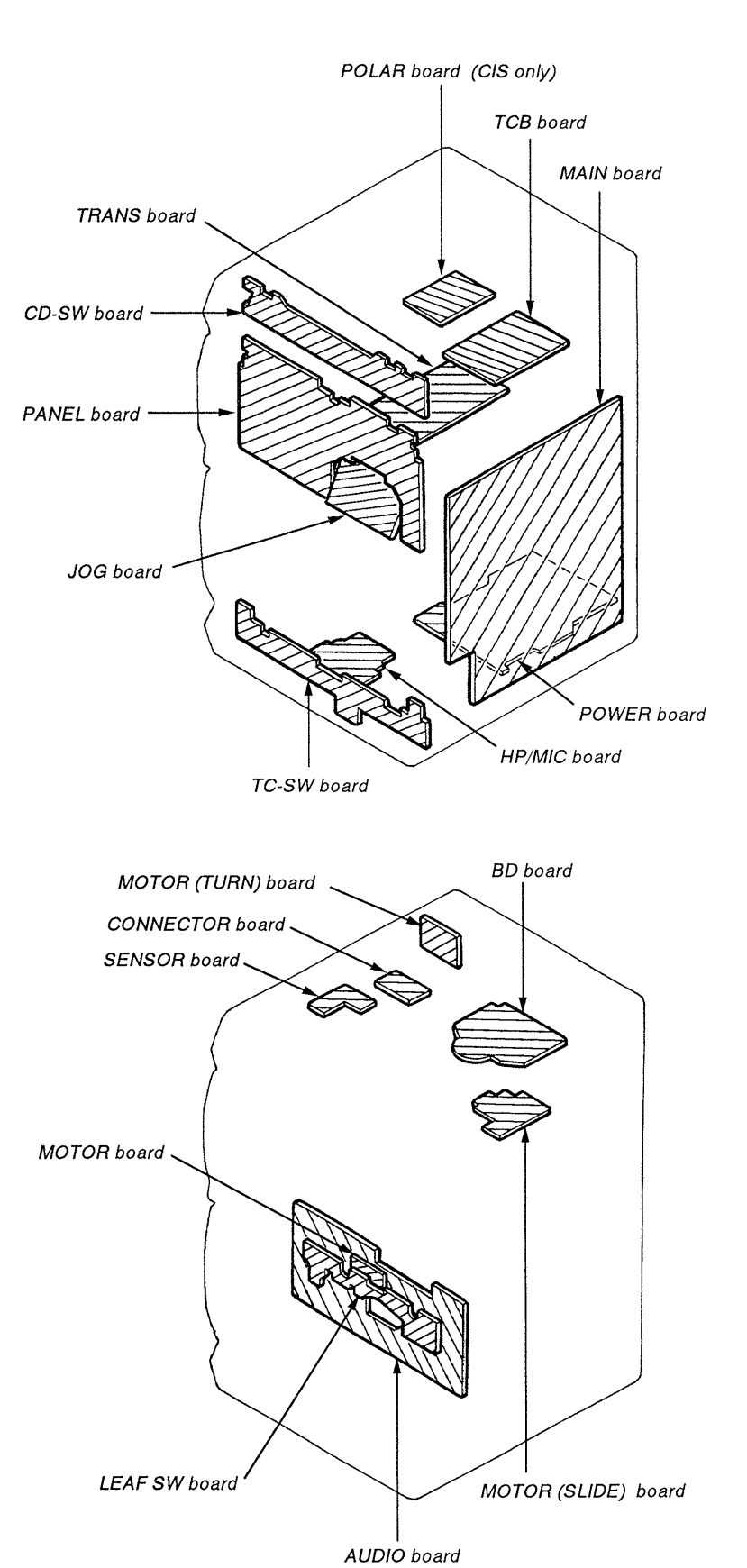
AEP, UK, G, IT, EE, C1S, E, EA, MY, SP, HK, JE, IA, TW MODEL



6-3. BLOCK DIAGRAM - MAIN SECTION (2) -



6-4. CIRCUIT BOARD LOCATION

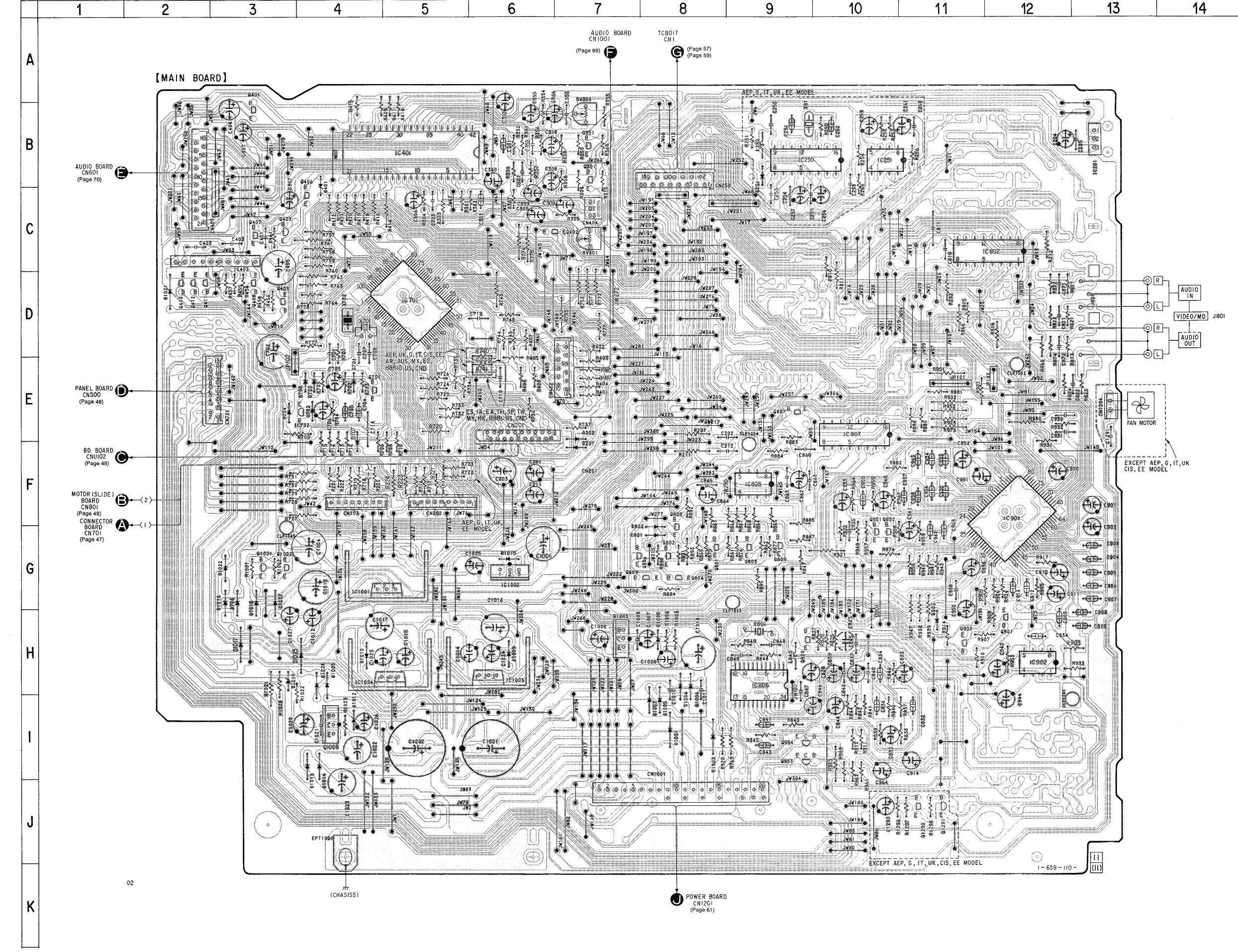


6-5. PRINTED WIRING BOARDS - MAIN SECTION -

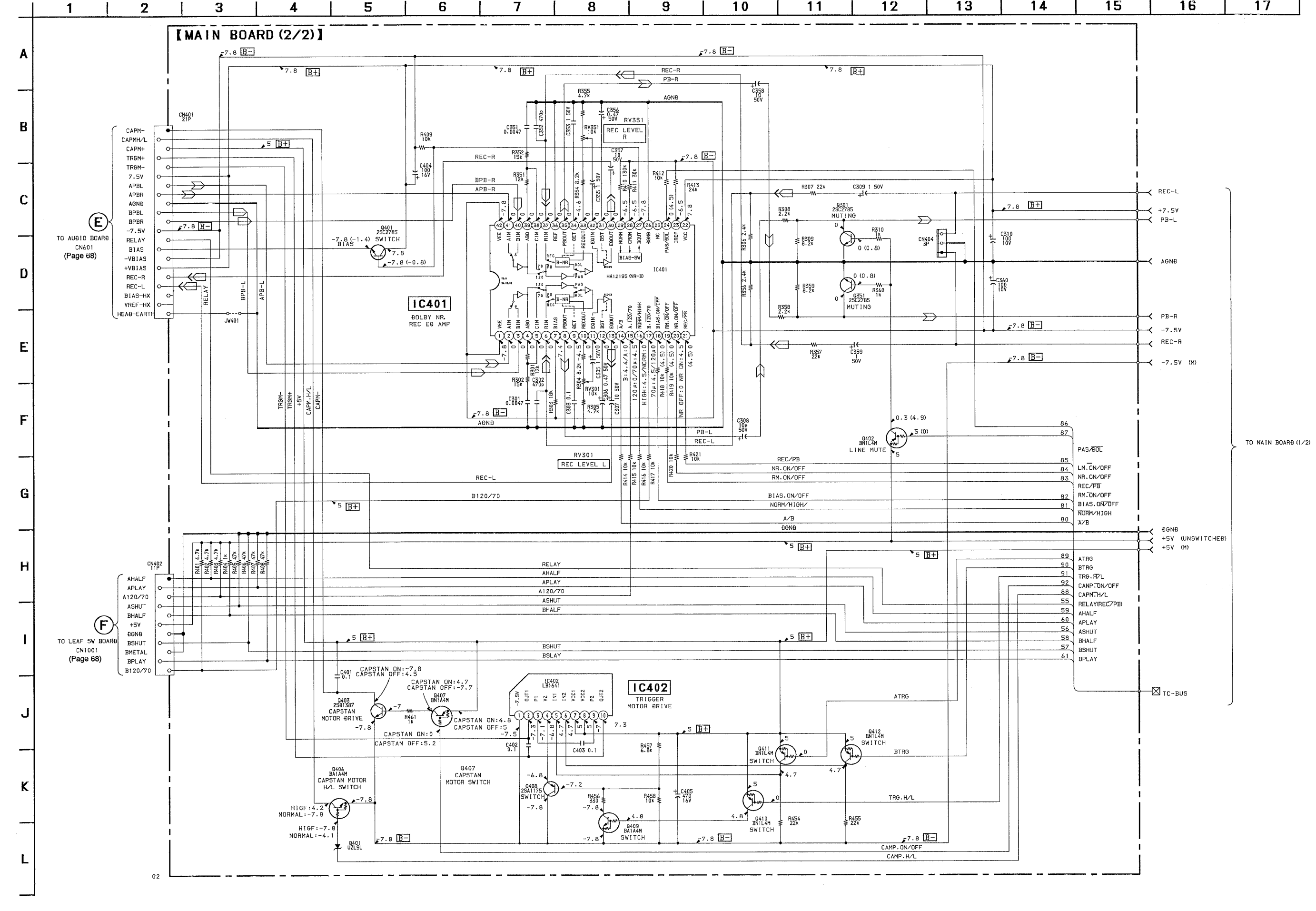
• SEMICONDUCTOR LOCATION

Ref. No.	Location	Ref. No.	Location
D201	F-7	IC807	E-10
D202	E-7	IC808	F-9
D251	B-9	IC901	F-12
D401	B-4	IC902	H-12
D701	E-4	IC1001	G-4
D702	E-4	IC1002	G-6
D703	E-4	IC1003	H-6
D704	E-3	IC1004	H-4
D705	E-4		
D706	G-3		
D707	E-4	Q301	B-7
D801	G-8	Q351	B-7
D802	G-8	Q401	B-3
D802	G-8	Q402	C-6
D901	G-10	Q403	C-3
D902	H-11		
D1001	I-8	Q406	C-4
D1002	I-8	Q407	C-3
D1003	I-8	Q408	D-3
D1004	H-8	Q409	D-3
D1006	H-8	Q410	D-2
D1007	G-3	Q411	D-2
D1008	H-8	Q412	D-2
D1009	H-6	Q701	E-4
D1010	H-4	Q801	G-8
D1011	H-3	Q802	G-8
D1012	I-4	Q803	G-9
D1013	I-3	Q804	G-8
D1014	I-3	Q805	G-9
D1016	G-3	Q806	G-7
D1017	H-3	Q807	E-9
D1018	G-3	Q808	F-8
D1021	D-2	Q809	G-8
D1022	G-3	Q820	H-9
D1023	H-4	Q901	H-12
D1024	H-4	Q902	H-11
D1025	H-4	Q951	G-10
		Q952	G-10
		Q953	I-9
		Q954	I-9
IC201	B-13	Q1001	G-3
IC250	B-9		
IC251	B-10	Q1002	G-3
IC401	B-5	Q1003	H-7
IC402	C-3	Q1006	I-4
IC701	D-5	Q1290	J-11
IC802	C-12	Q1291	J-11
IC806	H-9		

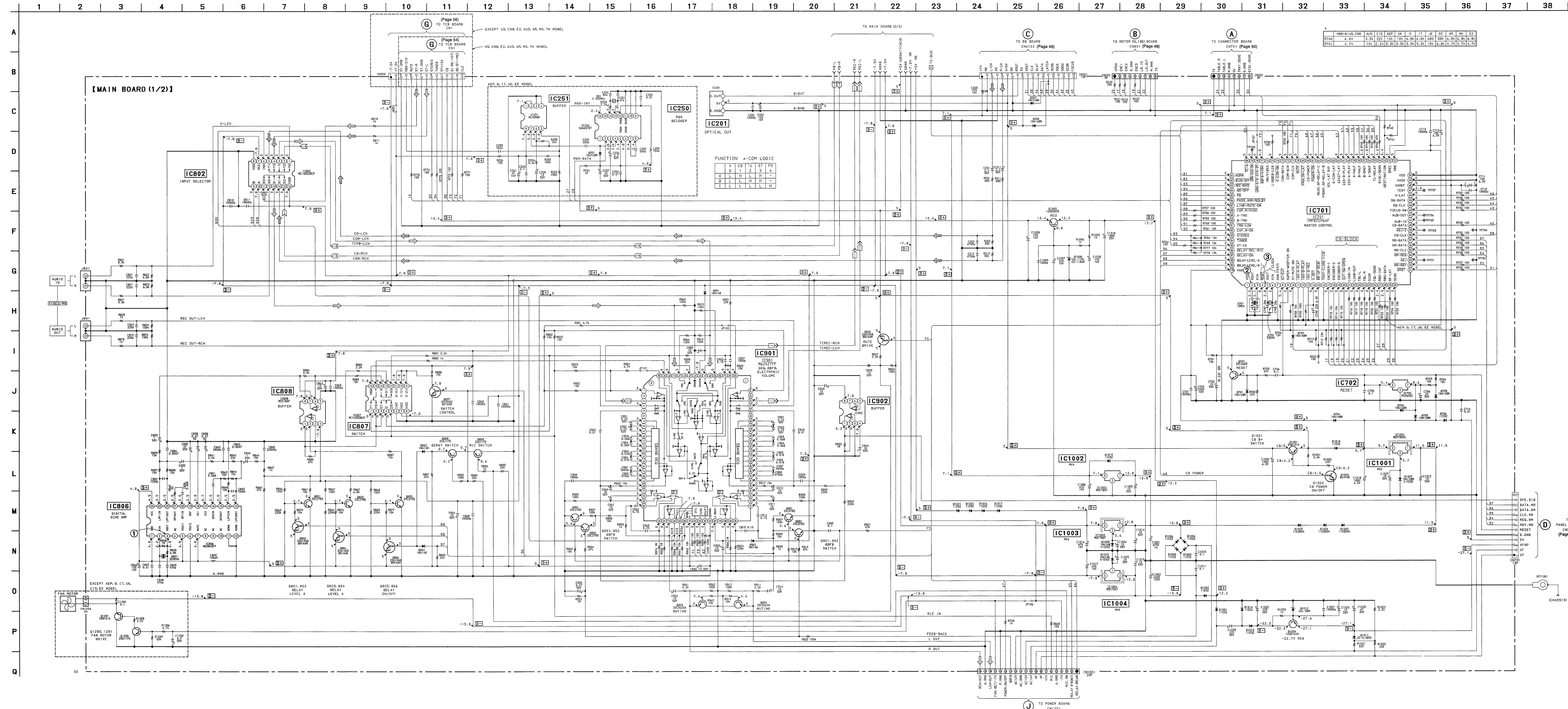
Note:
 • — : parts extracted from the component side.
 • : Pattern on the side which is seen.
 • Abbreviation
 CND : Canadian HK : Hong Kong
 AUS : Australian JE : Tourist
 AR : Argentine IA : Indonesia
 MX : Mexican G : German
 TH : Thailand IT : Italian
 EA : Saudi Arabia EE : East European
 MY : Malaysia TW : Taiwan
 SP : Singapore



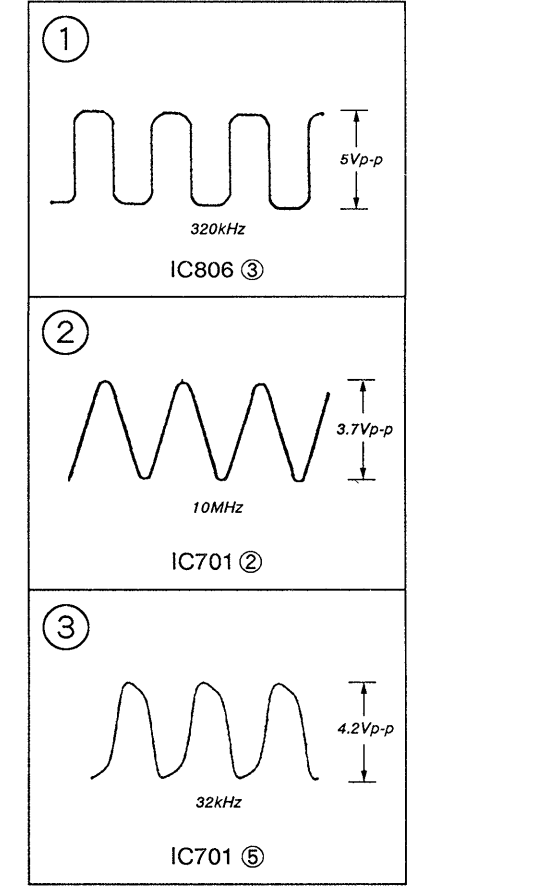
6-6. SCHEMATIC DIAGRAM - MAIN SECTION (2/2) - Refer to page 41 for note. Refer to page 73 for IC Block Diagrams.



6-7. SCHEMATIC DIAGRAM - MAIN SECTION (1/2) - Refer to page 73 for IC Block Diagrams.



WAVEFORMS - MAIN SECTION



Note:

- All capacitors are in μ F unless otherwise noted. pF: μ u F 50WV or less are not indicated except for electrolytics and tantalums.
- All resistors are in Ω and $\frac{1}{4}$ W or less unless otherwise specified.
- Δ : internal component.

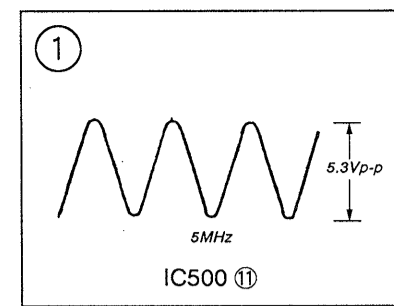
Note:

The components identified by mark Δ or dotted line with mark Δ are critical for safety. Ne les remplacer que par une pièce portant le numéro spécifié.

- B+**: B+ Line
- B-**: B- Line
- \square : adjustment for repair.
- Voltage and waveforms are dc with respect to ground under no-signal (detuned) conditions.
- no mark: FM
- () : AM
- Voltages are taken with a VOM (Input impedance 10M Ω). Voltage variations may be noted due to normal production tolerances.
- Waveforms are taken with an oscilloscope. Voltage variations may be noted due to normal production tolerances.
- Circled numbers refer to waveforms.
- Signal path:
 - \Rightarrow FM
 - \Rightarrow PB (DECK A)
 - \Rightarrow CD
 - \Rightarrow PB (DECK B)
 - \Rightarrow REC (DECK B)

- Abbreviation**
- CND: Canadian
 - AUS: Australian
 - AR: Argentine
 - MX: Mexican
 - TH: Thailand
 - EA: Saudi Arabia
 - MY: Malaysia
 - SP: Singapore
 - HK: Hong Kong
 - IE: Tourist
 - JA: Indonesia
 - G: German
 - IT: Italian
 - EE: East European
 - TW: Taiwan

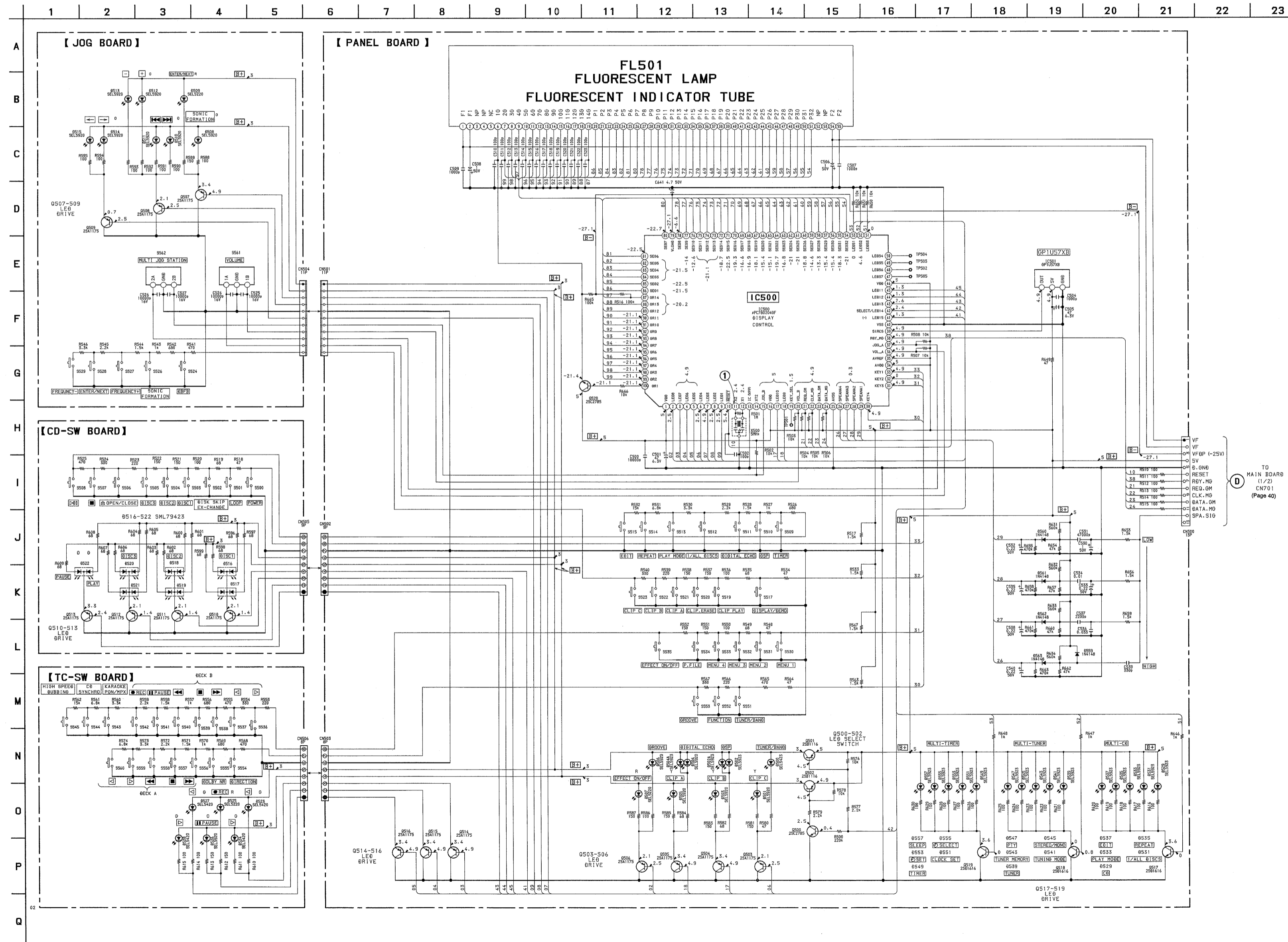
● WAVEFORMS - PANEL SECTION -



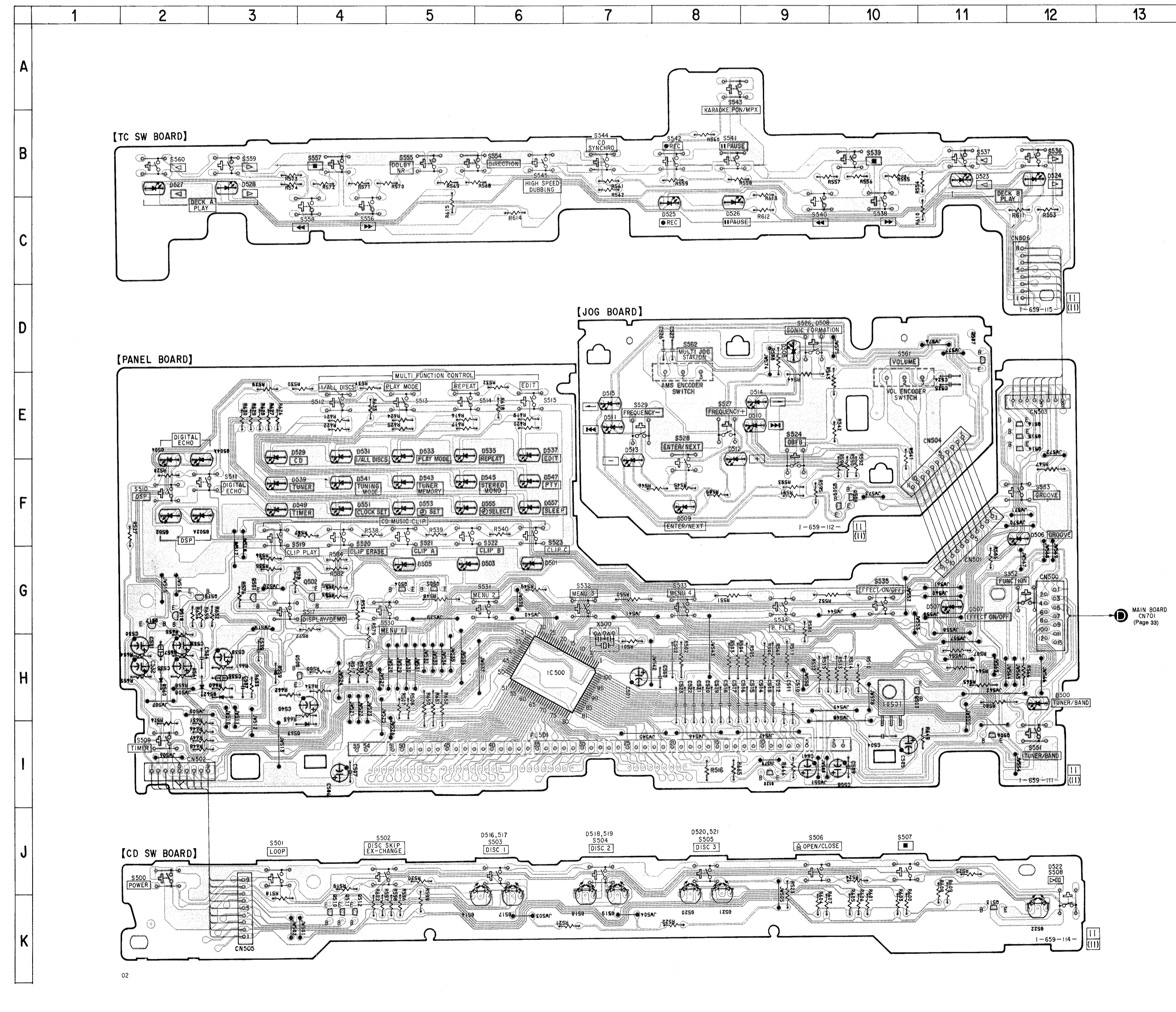
Note :

- All capacitors are in μF unless otherwise noted. μF : μF 50WV or less are not indicated except for electrolytics and tantalums
- All resistors are in Ω and $\frac{1}{4}W$ or less unless otherwise specified.
- Δ : internal component.
- [B+] : B+ Line
- [B-] : B- Line
- Voltage and waveforms are dc with respect to ground under no-signal conditions.
- no mark : FM
- Voltages are taken with a VOM (Input impedance 10M Ω). Voltage variations may be noted due to normal production tolerances.
- Waveforms are taken with an oscilloscope. Voltage variations may be noted due to normal production tolerances.
- Circled numbers refer to waveforms.

6-8. SCHEMATIC DIAGRAM - PANEL SECTION -



6-9. PRINTED WIRING BOARDS - PANEL SECTION -

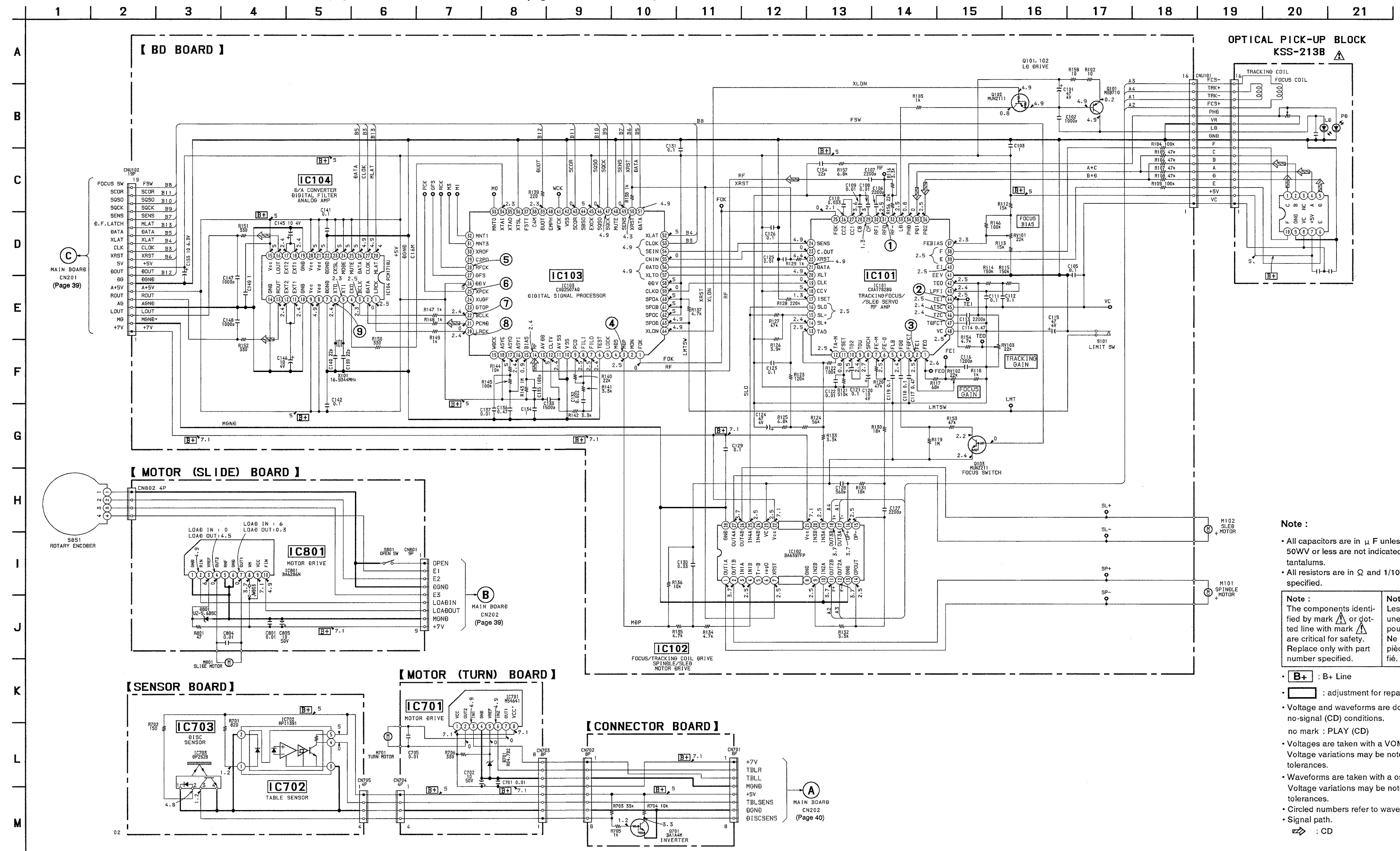
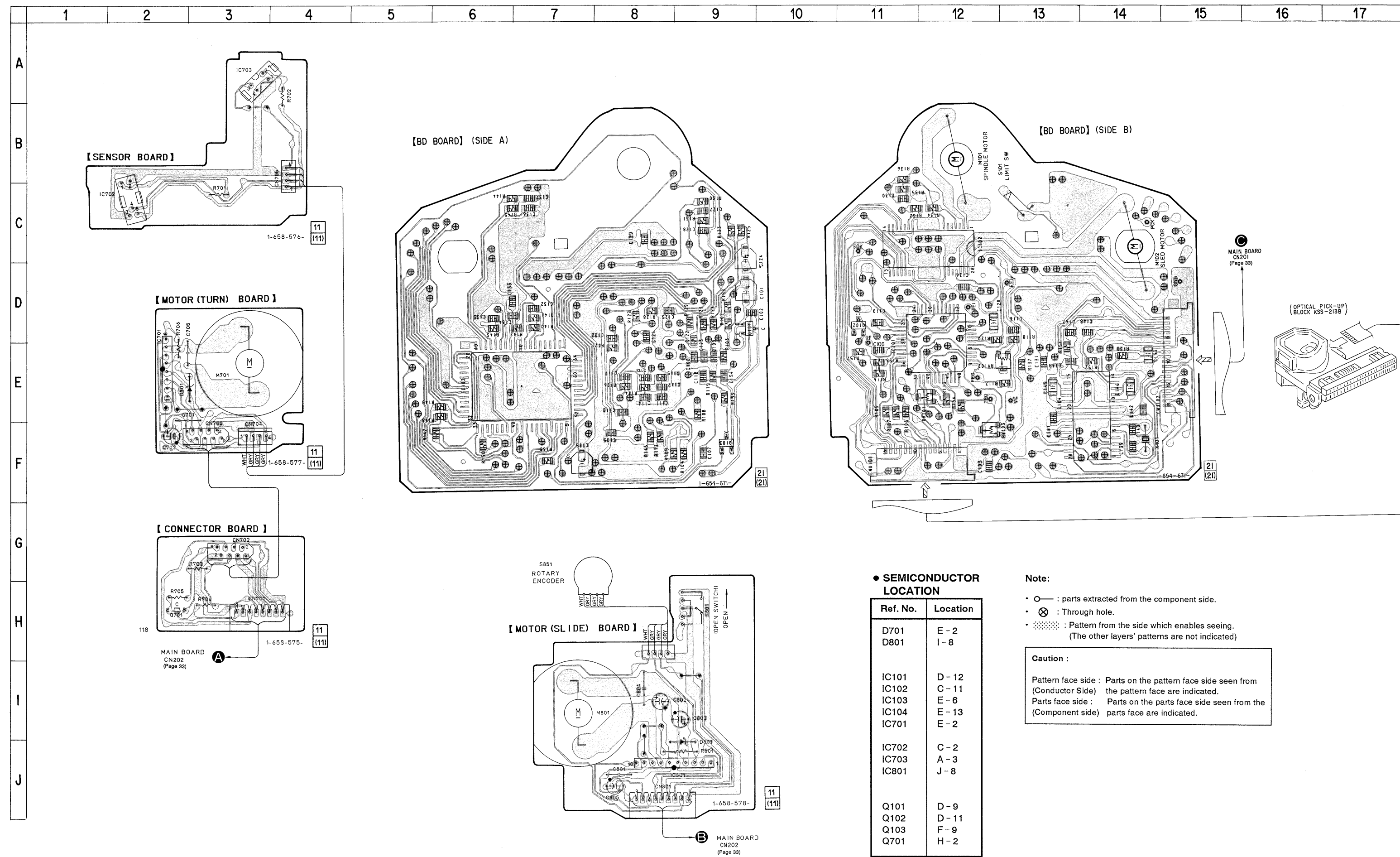


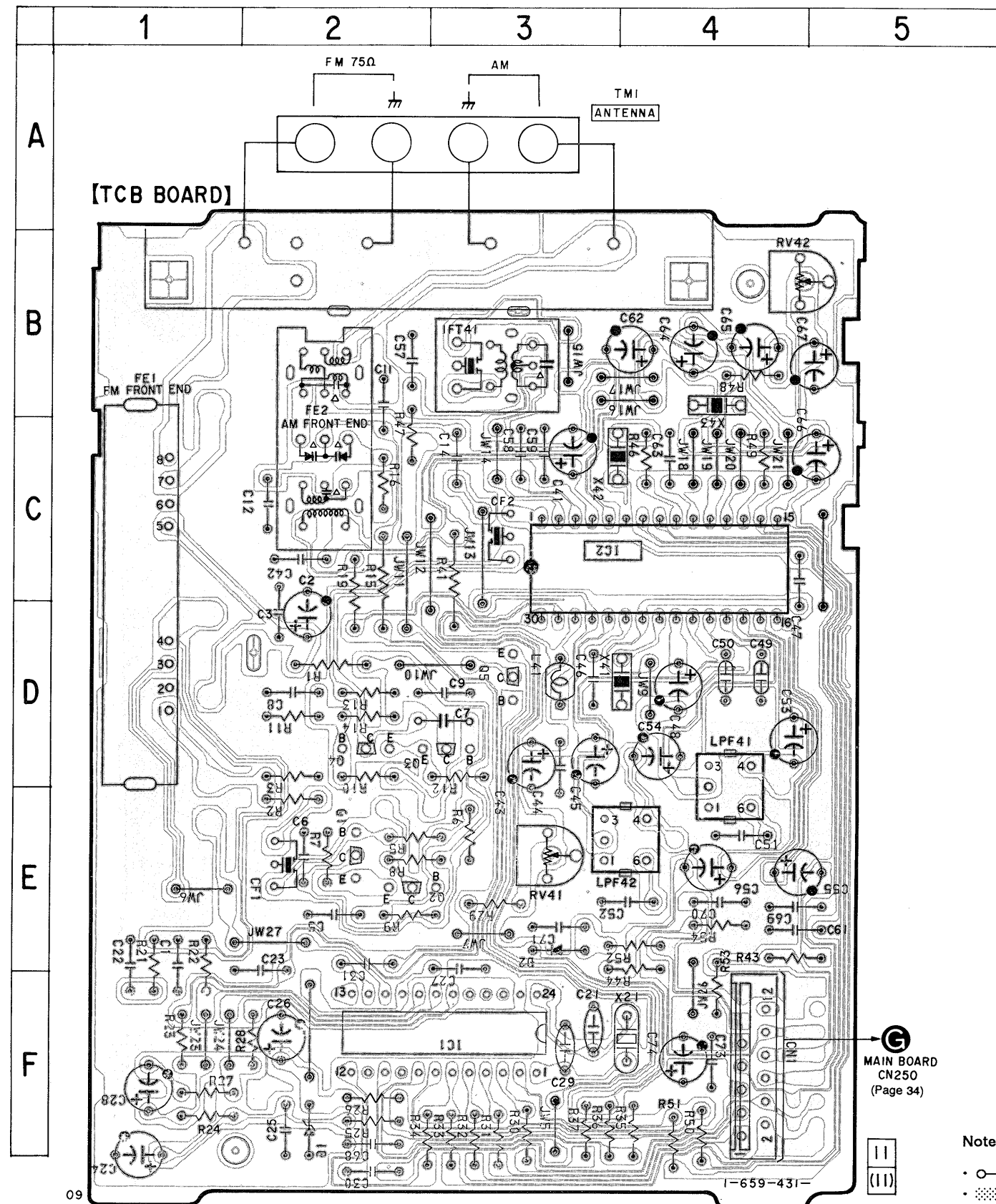
● SEMICONDUCTOR LOCATION

Ref. No.	Location	Ref. No.	Location
D500	H-12	D545	F-5
D501	G-6	D547	E-6
D502	F-2	D549	F-3
D502A	F-2	D551	F-4
D503	G-5	D553	F-5
D504	E-2	D555	F-5
D504A	E-2	D557	E-6
D505	G-5	D559	H-3
D506	F-12	D560	H-2
D507	G-11	D561	H-2
D508	D-9	D562	H-3
D509	F-8	D563	I-4
D510	E-9		
D511	E-7		
D512	F-8	IC500	H-6
D513	F-7	IC501	H-10
D514	E-9		
D515	E-7	Q500	H-4
D516	K-6	Q501	G-3
D517	K-6	Q502	G-4
D518	K-7	Q503	H-10
D519	K-7	Q504	G-5
D520	K-8	Q505	G-5
D521	K-8	Q506	I-11
D522	K-12	Q507	D-11
D523	B-11	Q508	F-10
D524	B-12	Q509	F-10
D525	C-8	Q510	K-4
D526	C-8	Q511	K-4
D527	B-2	Q512	K-4
D528	B-3	Q513	K-11
D529	E-3	Q514	E-12
D531	E-4	Q515	E-12
D533	E-5	Q516	E-12
D535	E-5	Q517	G-2
D537	E-6	Q518	G-2
D539	F-3	Q519	G-2
D541	F-4	Q520	I-9
D543	F-5		

Note:

- ○ : parts extracted from the component side.
- ⊗ : Pattern on the side which is seen.



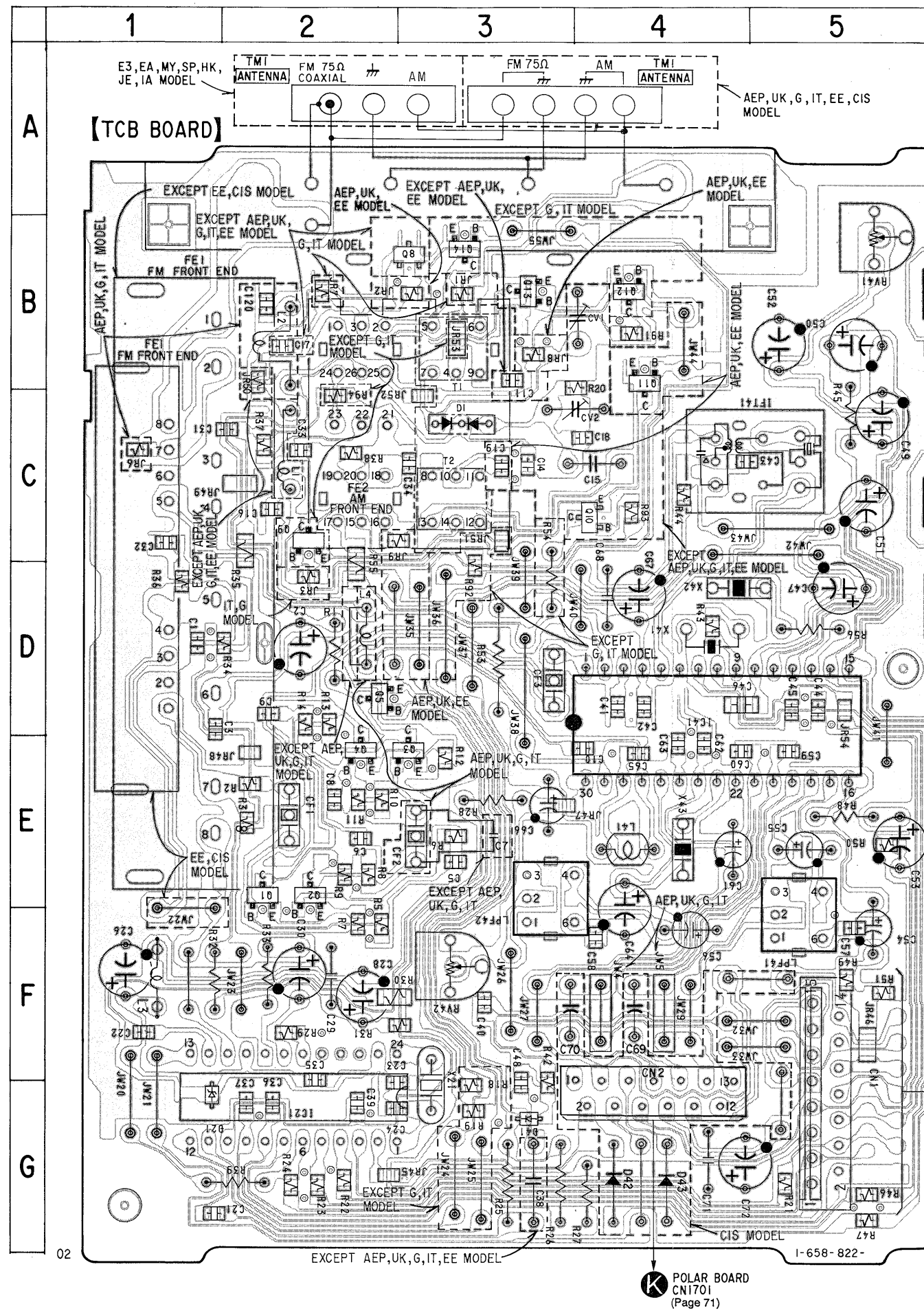


• SEMICONDUCTOR LOCATION

Ref. No.	Location
D1	F-2
D2	E-3
IC1	F-3
IC2	C-3
Q1	E-2
Q2	E-2
Q3	D-3
Q4	D-2
Q5	D-3

Note:

- : parts extracted from the component side.
- ⊙ : Pattern on the side which is seen.
- Abbreviation
 CND : Canadian
 AUS : Australian
 AR : Argentine
 MX : Mexican
 TH : Thailand



• SEMICONDUCTOR LOCATION

Ref. No.	Location
D1	C-3
D21	G-1
D41	G-3
D42	G-4
D43	G-4
Q1	E-2
Q2	E-2
Q3	E-3
Q4	E-2
Q5	D-2
Q8	B-3
Q9	C-2
Q10	C-4
Q11	B-4
Q12	B-4
Q13	B-3
Q14	B-3
IC21	G-2
IC41	D-4

Note:

- : parts extracted from the component side.
- ⊙ : Pattern on the side which is seen.
- Abbreviation
 G : German
 IT : Italian
 EE : East European
 EA : Saudi Arabia
 MY : Malaysia
 SP : Singapore
 HK : Hong Kong
 JE : Tourist
 IA : Indonesia
 TW : Taiwan

Note :

- All capacitors are in μF unless otherwise noted. pF: $\mu \mu F$ 50WV or less are not indicated except for electrolytics and tantalums.
- All resistors are in Ω and $\frac{1}{4}W$ or less unless otherwise specified.

Note :
The components identified by mark Δ or dotted line with mark Δ are critical for safety. Replace only with part number specified.

Note :
Les composants identifiés par une marque Δ sont critiques pour la sécurité. Ne les remplacer que par une pièce portant le numéro spécifié.

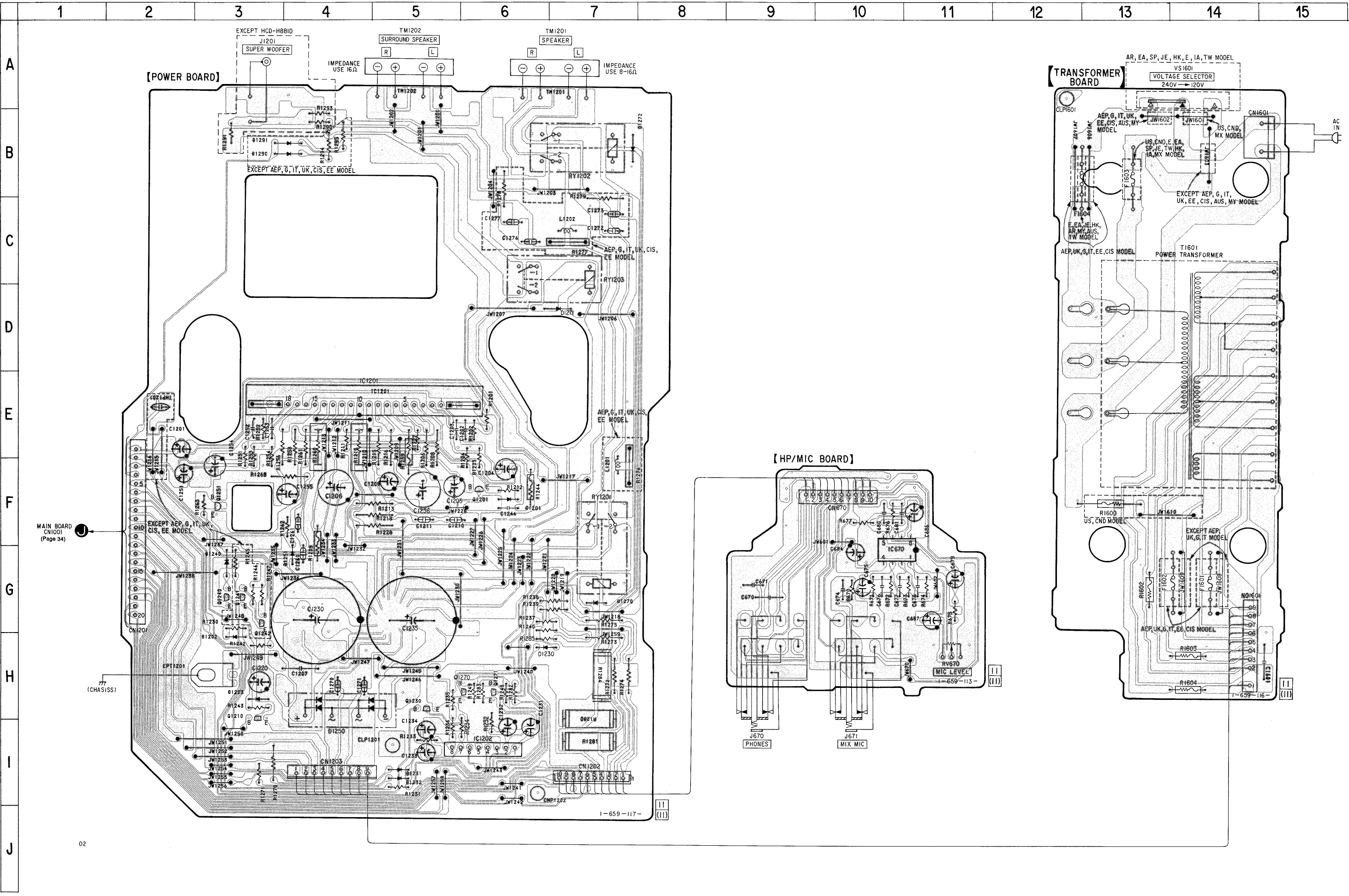
- **B+** : B+ Line
- **B-** : B- Line
- \square : adjustment for repair.
- Voltage and waveforms are dc with respect to ground under no-signal (detuned) conditions. no mark : FM
- Voltages are taken with a VOM (Input impedance 10M Ω). Voltage variations may be noted due to normal production tolerances.
- Signal path. \Rightarrow : FM
- Abbreviation
CND : Canadian HK : Hong Kong
AUS : Australian JE : Tourist
AR : Argentine IA : Indonesia
MX : Mexican G : German
TH : Thailand IT : Italian
EA : Saudi Arabia EE : East European
MY : Malaysia TW : Taiwan
SP : Singapore

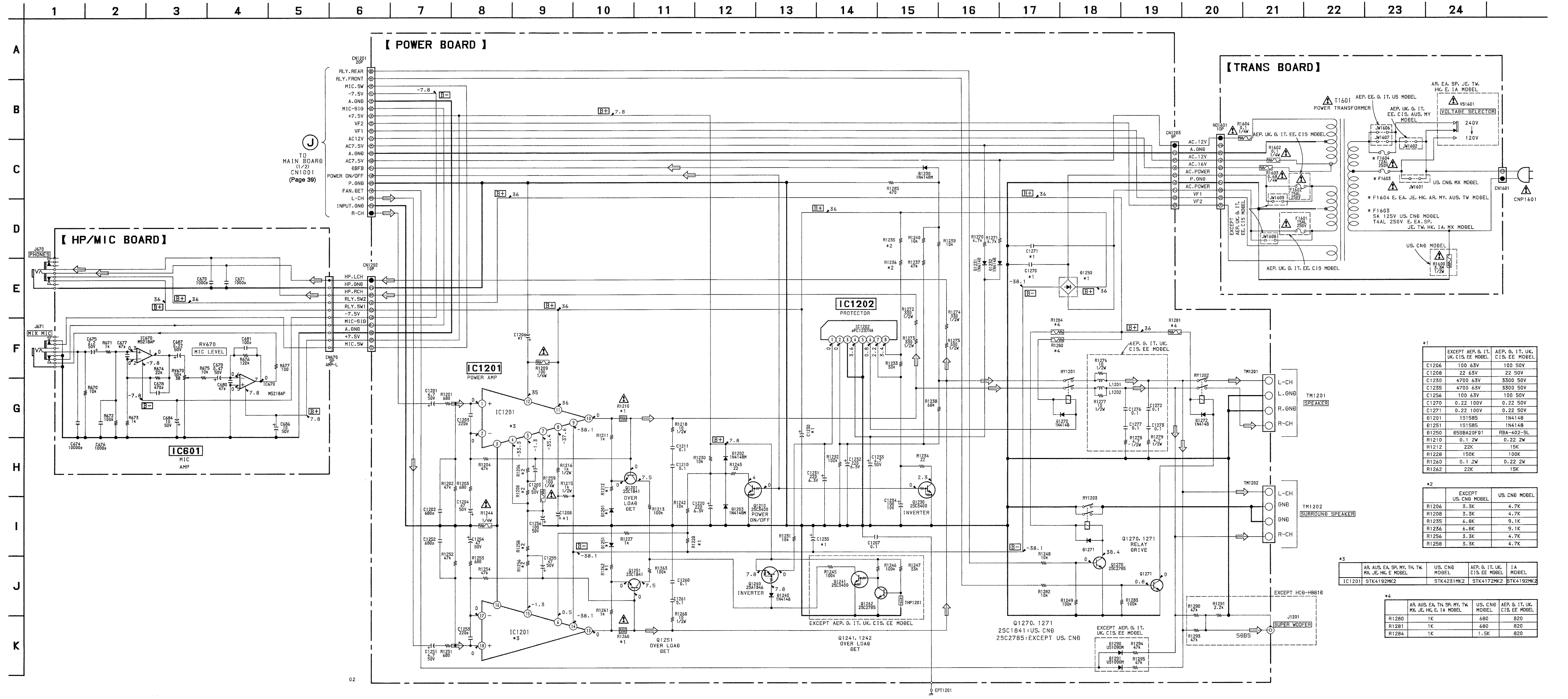
• SEMICONDUCTOR LOCATION

Ref. No.	Location
D1201	F - 6
D1202	H - 3
D1203	H - 3
D1230	H - 6
D1231	I - 5
D1232	I - 5
D1240	G - 3
D1250	H - 4
D1251	G - 4
D1270	G - 7
D1271	D - 7
D1272	B - 7
D1290	B - 4
D1291	B - 4
IC670	G - 10
IC1201	E - 4
IC1202	I - 6
Q1201	F - 6
Q1210	H - 3
Q1230	H - 5
Q1240	G - 3
Q1241	G - 3
Q1242	G - 3
Q1251	F - 3
Q1270	H - 6
Q1271	H - 6

Note:

- \bigcirc : parts extracted from the component side.
- \square : Pattern on the side which is seen.
- Abbreviation
CND : Canadian SP : Singapore
AUS : Australian HK : Hong Kong
AR : Argentine JE : Tourist
MX : Mexican IA : Indonesia
TH : Thailand G : German
EA : Saudi Arabia IT : Italian
MY : Malaysia EE : East European





*1

	EXCEPT AEP, G. IT, UK, C.I.S. EE MOBEL	AEP, G. IT, UK, C.I.S. EE MOBEL
C1206	100 63V	100 50V
C1208	22 63V	22 50V
C1230	4700 63V	3300 50V
C1235	4700 63V	3300 50V
C1256	100 63V	100 50V
C1270	0.22 100V	0.22 50V
C1271	0.22 100V	0.22 50V
Q1201	1S1585	1N4148
Q1251	1S1585	1N4148
Q1250	B5SBA20F01	RBA-402-SL
R1210	0.1 2W	0.22 2W
R1212	22K	15K
R1228	150K	100K
R1260	0.1 2W	0.22 2W
R1262	22K	15K

*2

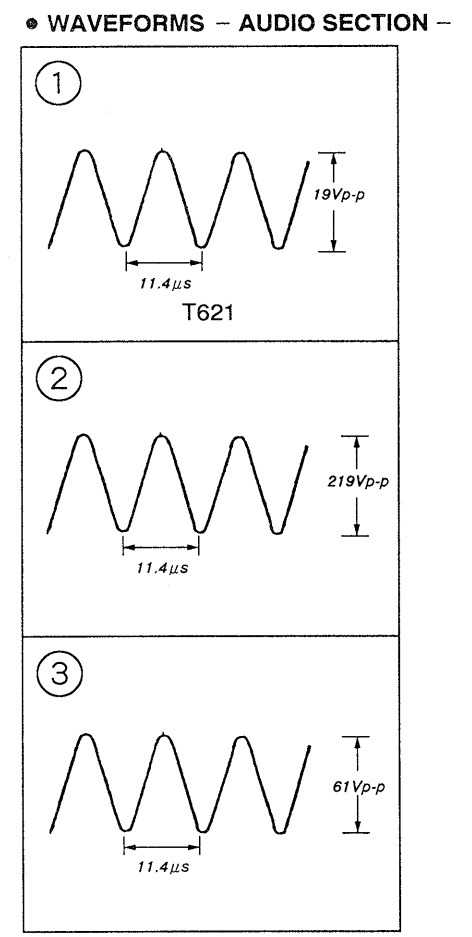
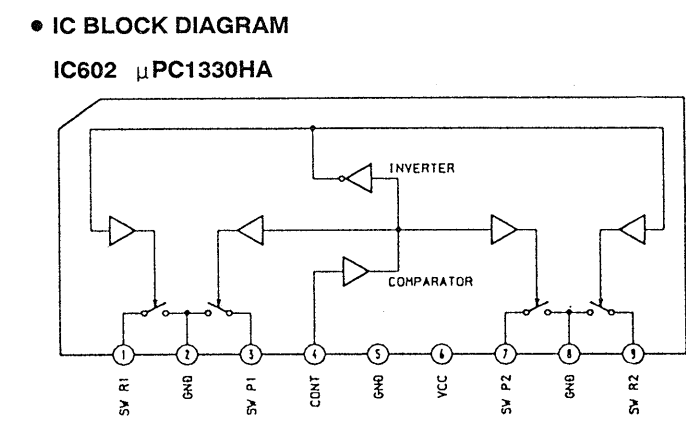
	EXCEPT US, CNB MOBEL	US, CNB MOBEL
R1206	3.3K	4.7K
R1208	3.3K	4.7K
R1235	6.8K	9.1K
R1236	6.8K	9.1K
R1256	3.3K	4.7K
R1258	3.3K	4.7K

*3

	AR, AUS, EA, SP, MY, TH, TW, MX, JE, HK, E, IA MOBEL	US, CNB MOBEL	AEP, G. IT, UK, C.I.S. EE MOBEL	1A MOBEL
IC1201	STK4192MK2	STK4231MK2	STK4172MK2	STK4192MK2

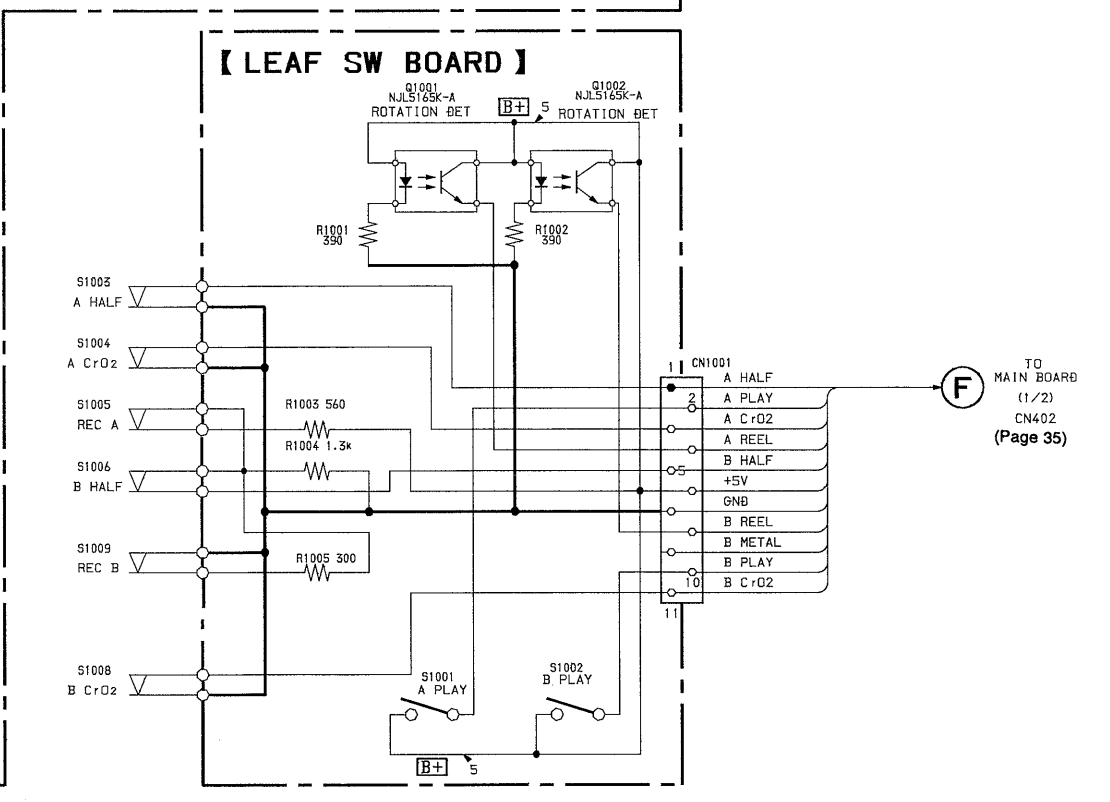
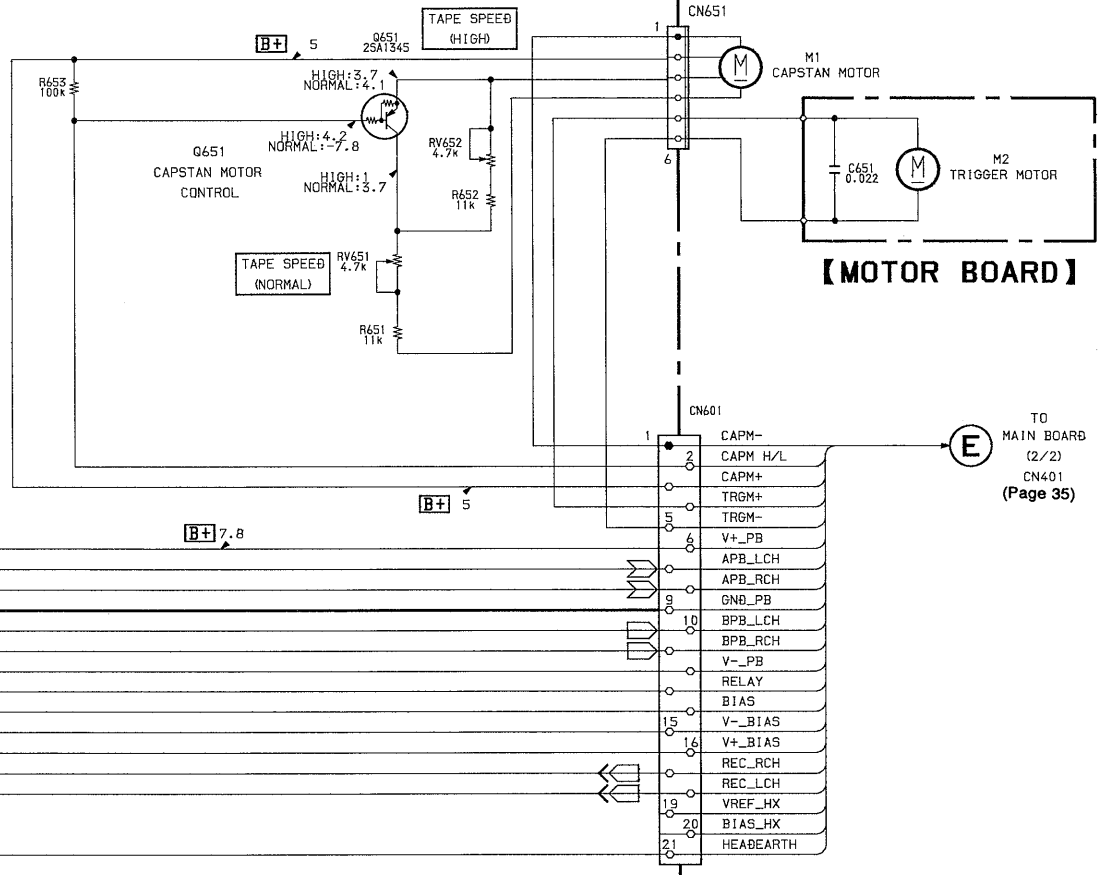
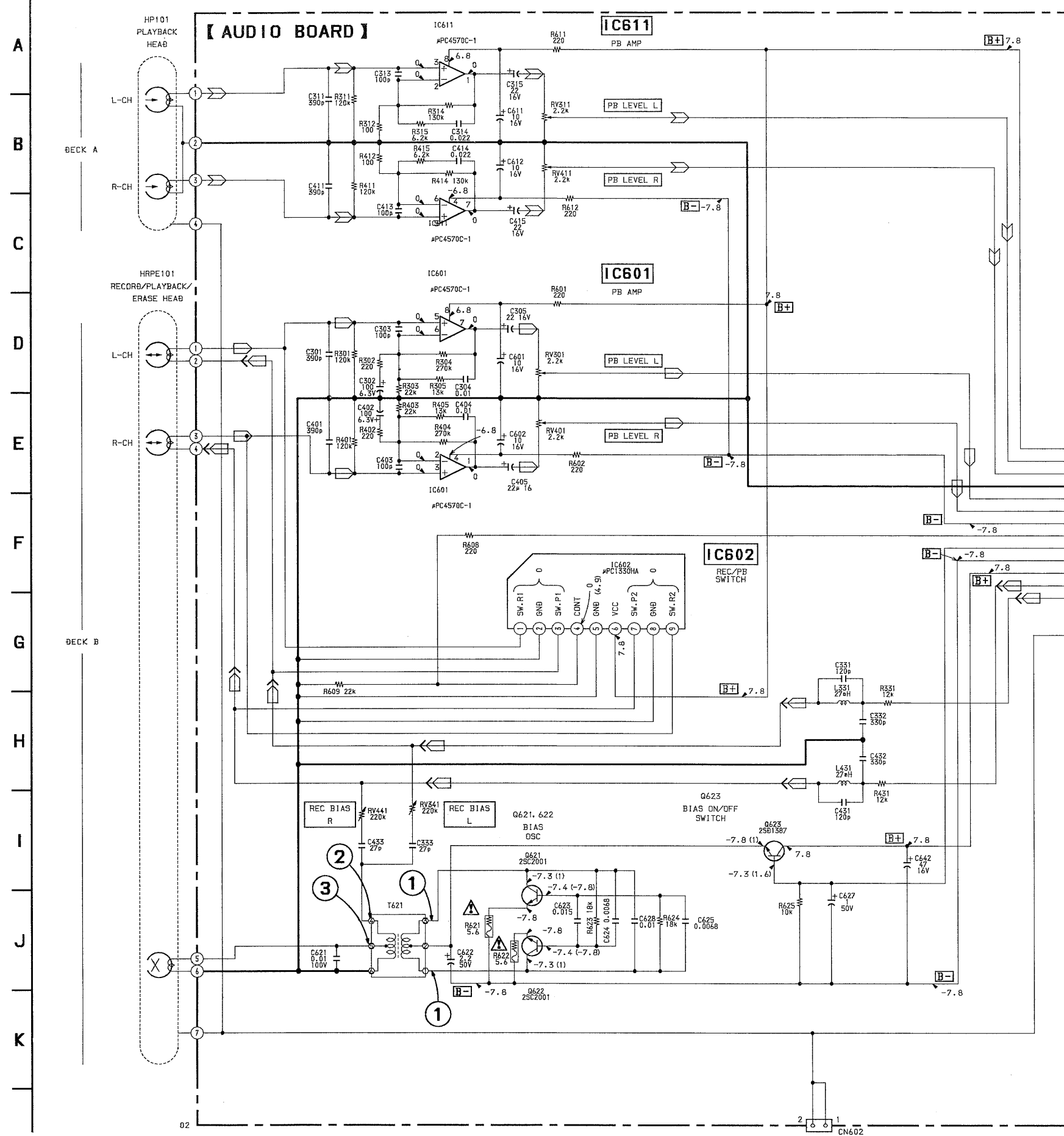
*4

	AR, AUS, EA, TH, SP, MY, TW, MX, JE, HK, E, IA MOBEL	US, CNB MOBEL	AEP, G. IT, UK, C.I.S. EE MOBEL
R1280	1K	680	820
R1281	1K	680	820
R1284	1K	1.5K	820

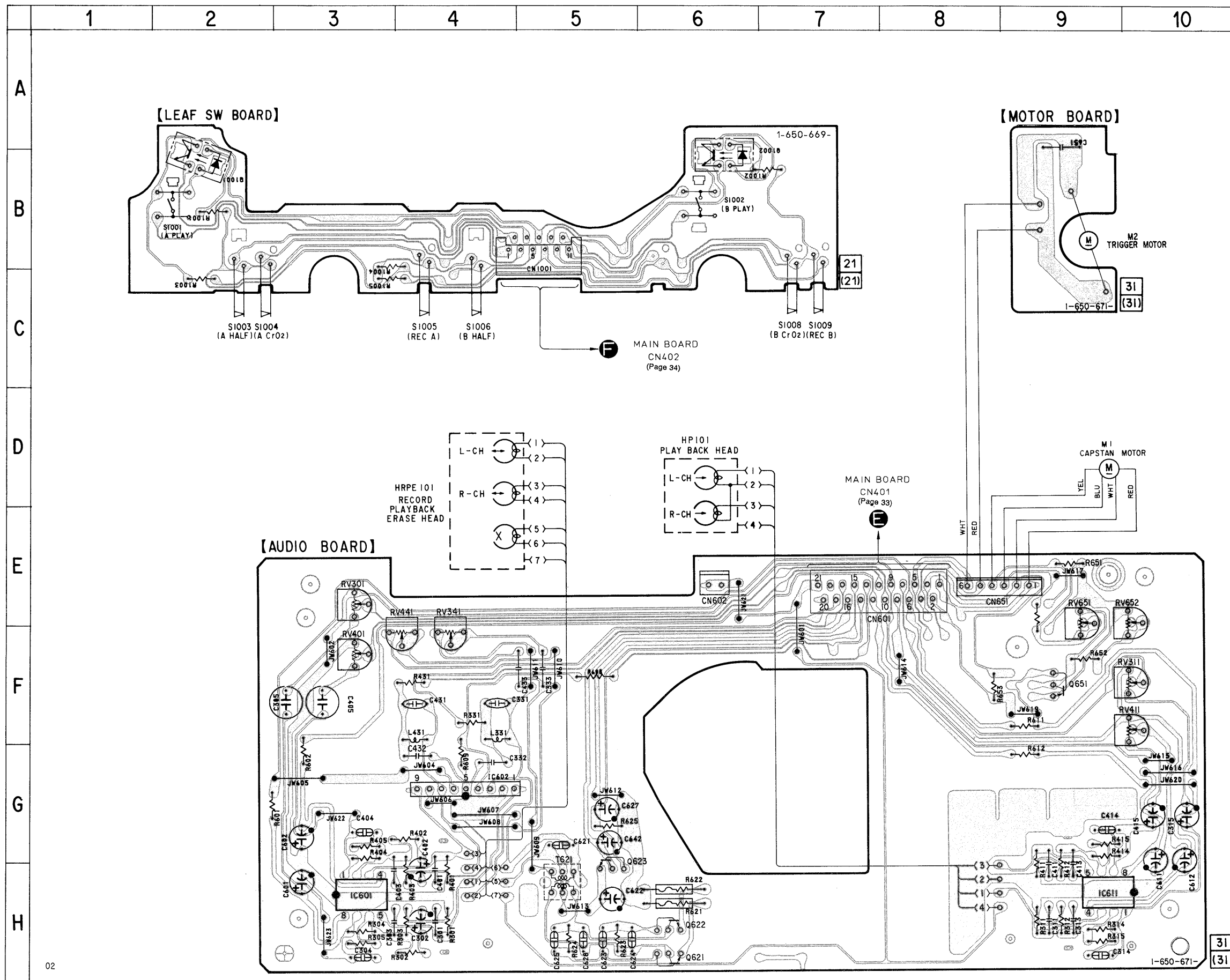


Note :

- All capacitors are in μ F unless otherwise noted. pF: μ F
- 50WV or less are not indicated except for electrolytics and tantalums.
- All resistors are in Ω and $\frac{1}{4}W$ or less unless otherwise specified.
- [B+] : B+ Line
- [B-] : B- Line
- [] : adjustment for repair.
- Voltage and waveforms are dc with respect to ground under no-signal conditions.
- no mark : PLAY (TC)
- () : REC
- Voltagcs are taken with a VOM (Input impedance 10M Ω). Voltage variations may be noted due to normal production tolerances.
- Waveforms are taken with a oscilloscope. Voltage variations may be noted due to normal production tolerances.
- Circled numbers refer to waveforms.
- Signal path.
- ▬ : PB (DECK A)
- ▬ : PB (DECK B)
- ▬ : REC (DECK B)



6-17. PRINTED WIRING BOARDS - AUDIO SECTION -



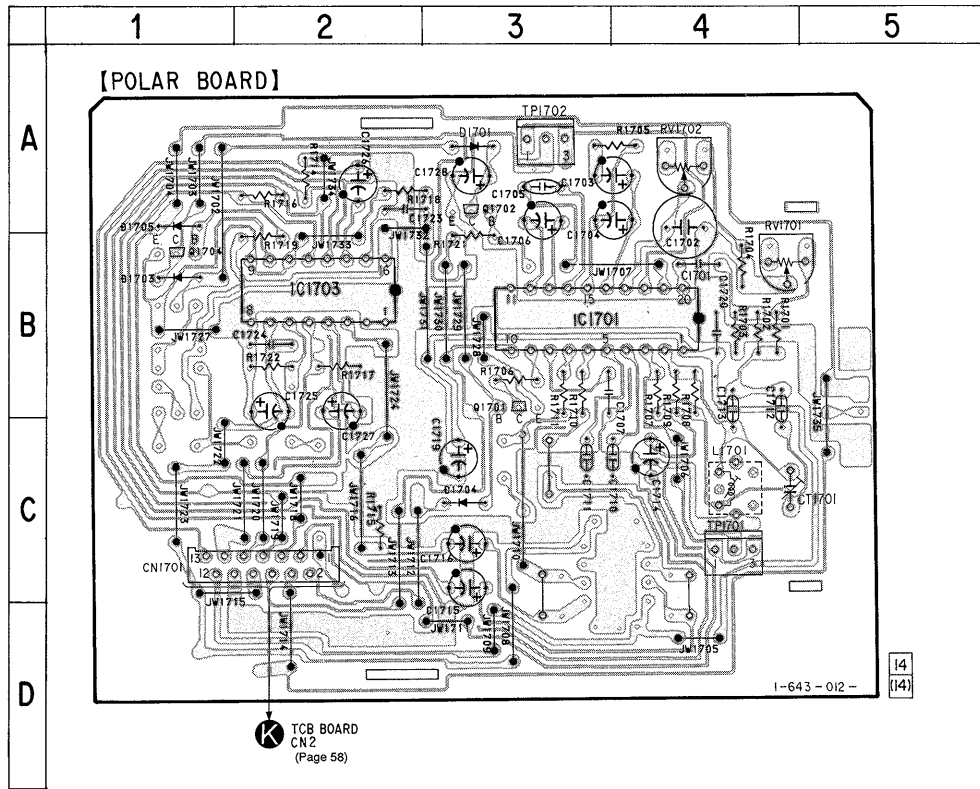
● SEMICONDUCTOR LOCATION

Ref. No.	Location
IC601	H - 3
IC602	G - 4
IC611	H - 9
Q621	H - 9
Q622	H - 9
Q623	H - 5
Q651	F - 9
Q1001	B - 2
Q1002	B - 6

Note:

- — : parts extracted from the component side.
- ⊙ : Pattern on the side which is seen.

6-18. PRINTED WIRING BOARDS - POLAR SECTION -



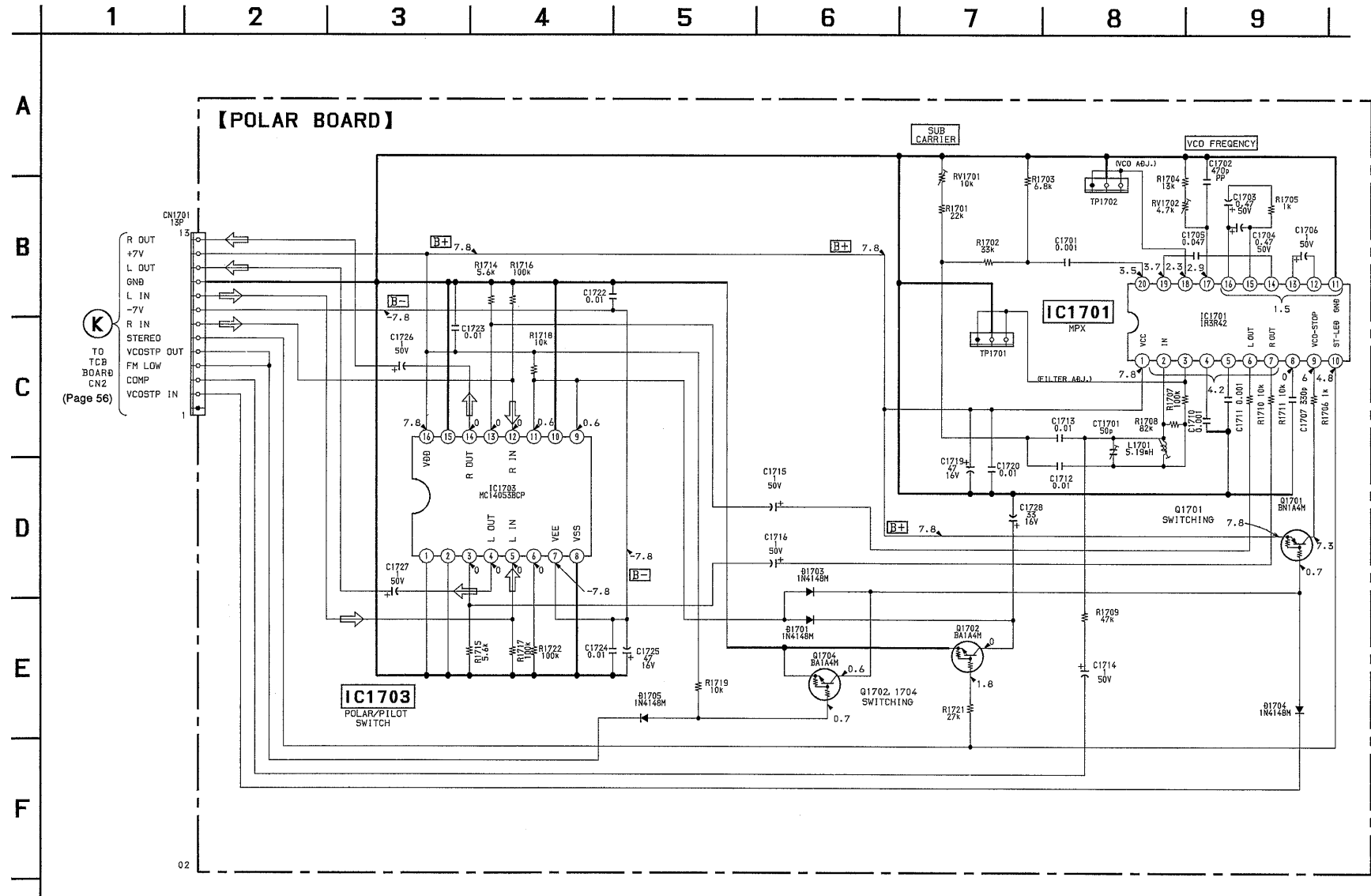
Note:

- : parts extracted from the component side.
- ⊙ : Pattern on the side which is seen.

● SEMICONDUCTOR LOCATION

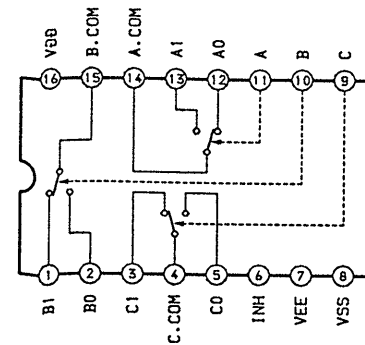
Ref. No.	Location
D1701	A - 3
D1703	B - 1
D1704	C - 3
D1705	A - 1
IC1701	B - 3
IC1703	A - 3
Q1701	B - 3
Q1702	B - 2
Q1704	B - 1

6-19. SCHEMATIC DIAGRAM - POLAR SECTION -



● IC BLOCK DIAGRAM

IC1703 μPD4053BC



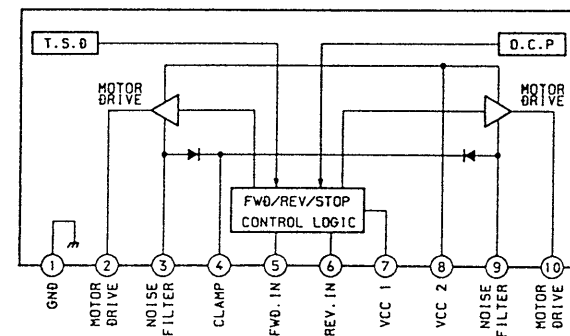
Note :

- All capacitors are in μF unless otherwise noted. pF : $\mu \mu F$
- 50WV or less are not indicated except for electrolytics and tantalums.
- All resistors are in Ω and $\frac{1}{4}W$ or less unless otherwise specified.
- Δ : internal component.
- B+** : B+ Line
- B-** : B - Line
- Voltage and waveforms are dc with respect to ground under no-signal conditions.
- no mark : FM
- Voltages are taken with a VOM (Input impedance $10M \Omega$). Voltage variations may be noted due to normal production tolerances.

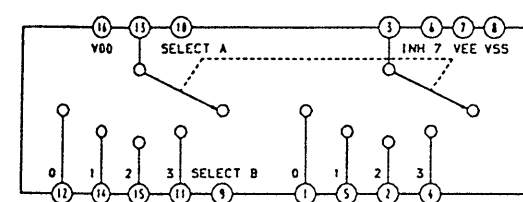
● IC BLOCK DIAGRAMS

— MAIN SECTION —

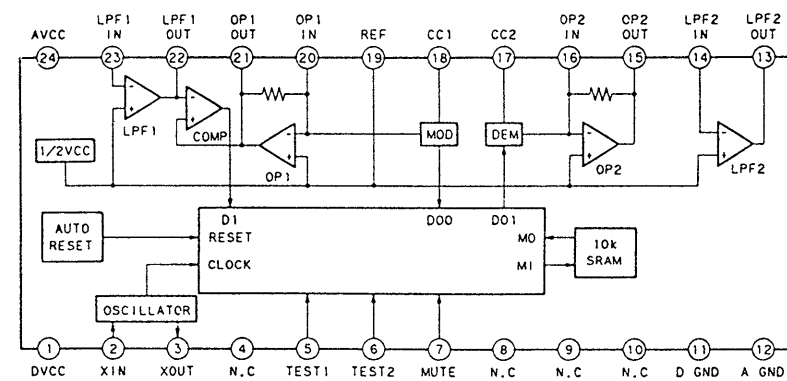
IC402 LB1641



IC802 MC14052BCP

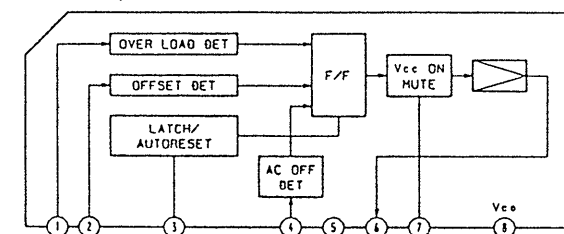


IC806 M65843FP



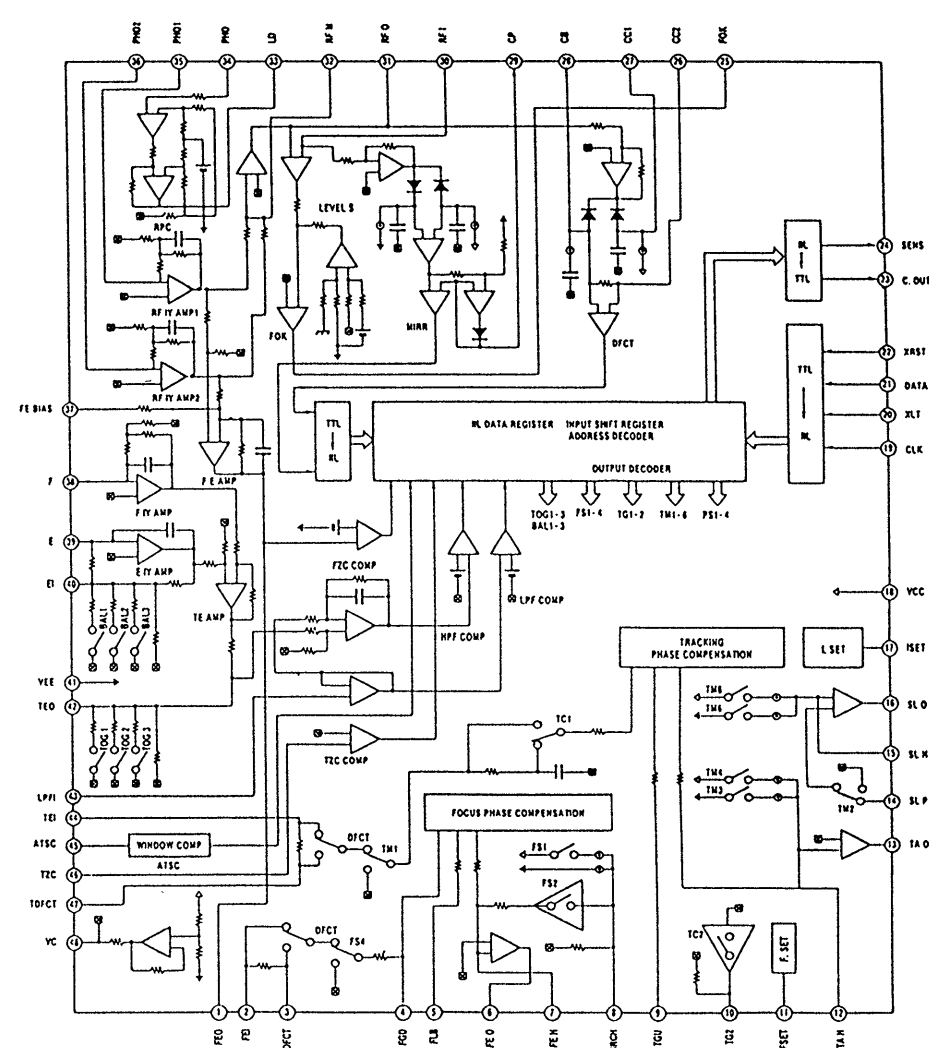
— POWER SECTION —

IC1202 μPC1237HA

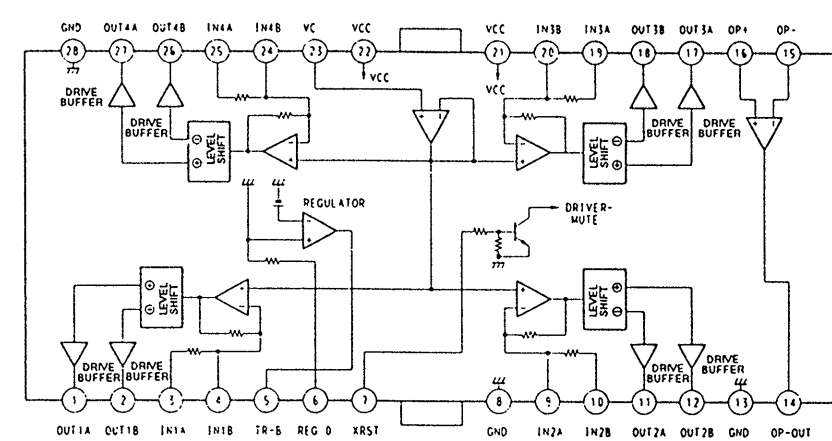


— BD SECTION —

IC101 CXA1782BQ

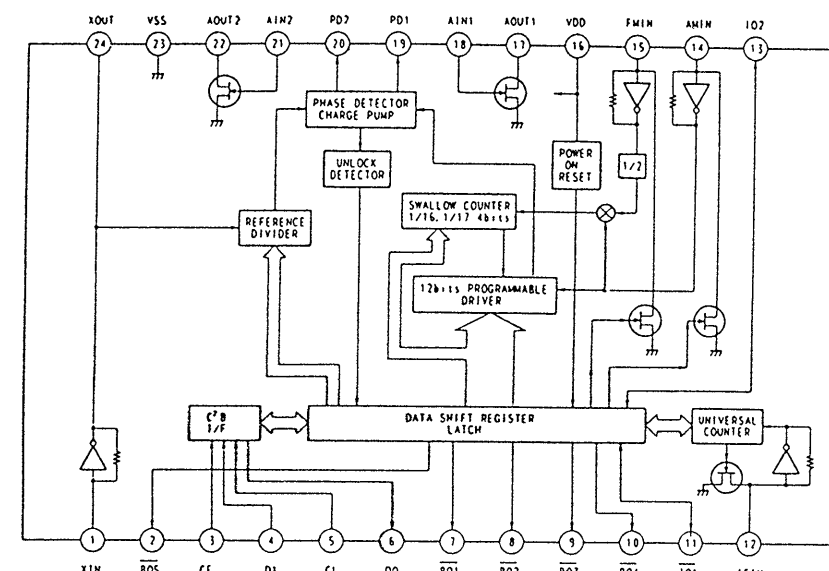


IC102 BA6397FP-T1

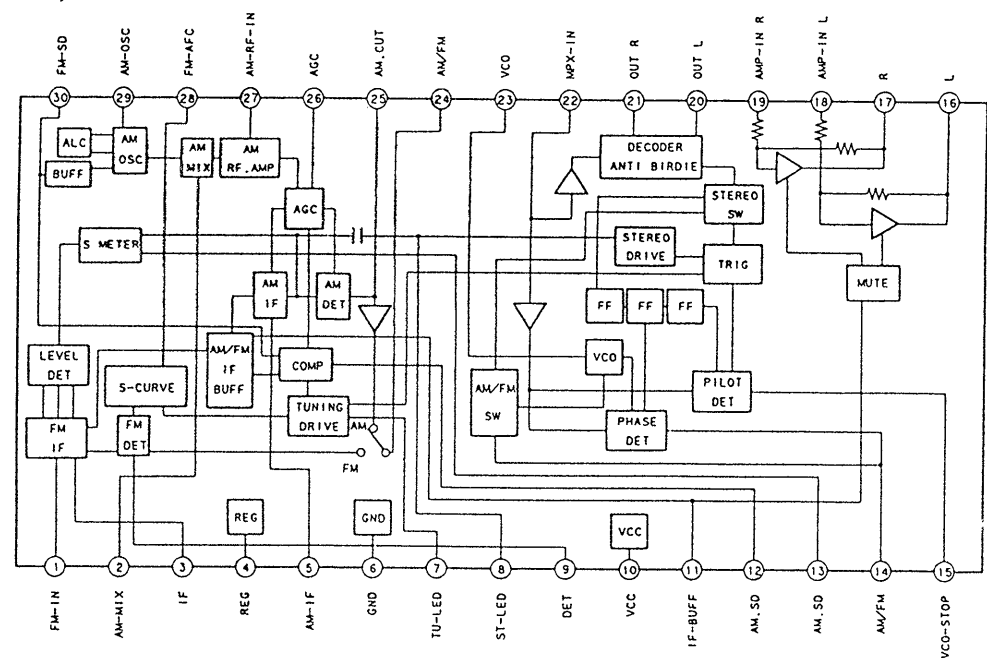


— TCB SECTION —

IC1, 21 LC72130



IC2, 41 LA1835



SECTION 7 EXPLODED VIEWS

NOTE :

- -XX, -X mean standardized parts, so they may have some difference from the original one.
- The construction parts of an assembled part are indicated with a collation number in the remark column.
- Color indication of Appearance Parts
Example :
KNOB, BALANCE (WHITE) (RED)

↑ ↑
Parts color Cabinet's color

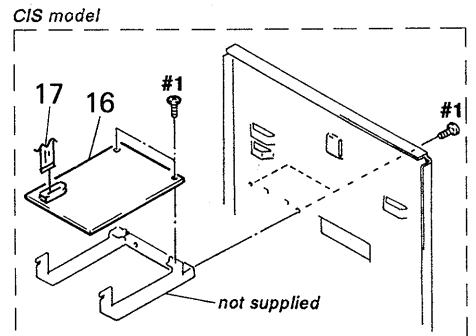
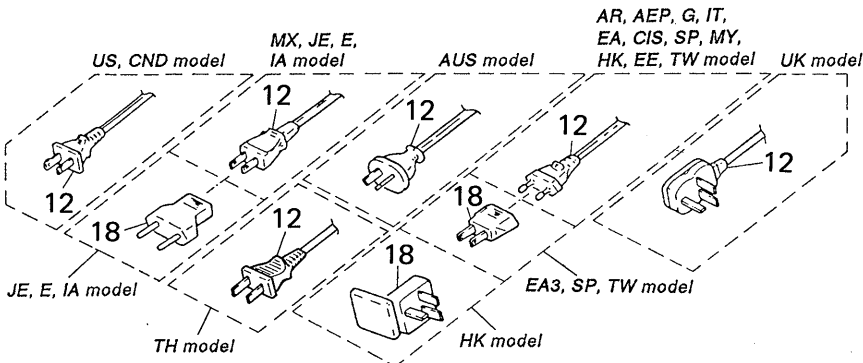
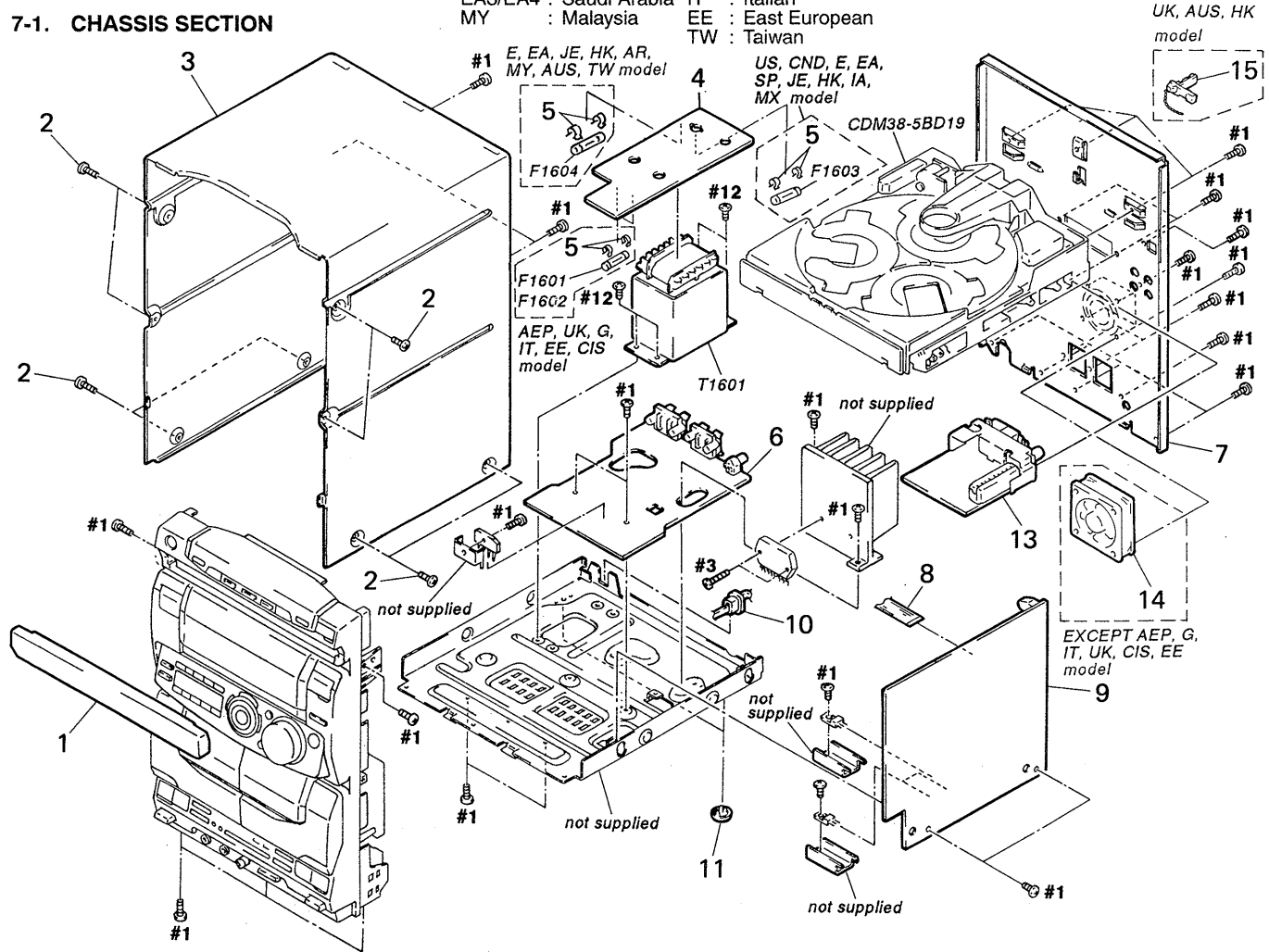
- Items marked " * " are not stocked since they are seldom required for routine service. Some delay should be anticipated when ordering these items.
- The mechanical parts with no reference number in the exploded views are not supplied.
- Hardware (# mark) list and accessories and packing materials are given in the last of this parts list.
- Abbreviation

CND : Canadian	SP : Singapore
AUS : Australian	HK : Hong Kong
AR : Argentine	JE : Tourist
MX : Mexican	IA : Indonesia
TH : Thailand	G : German
EA3/EA4 : Saudi Arabia	IT : Italian
MY : Malaysia	EE : East European
	TW : Taiwan

The components identified by mark Δ or dotted line with mark Δ are critical for safety. Replace only with part number specified.

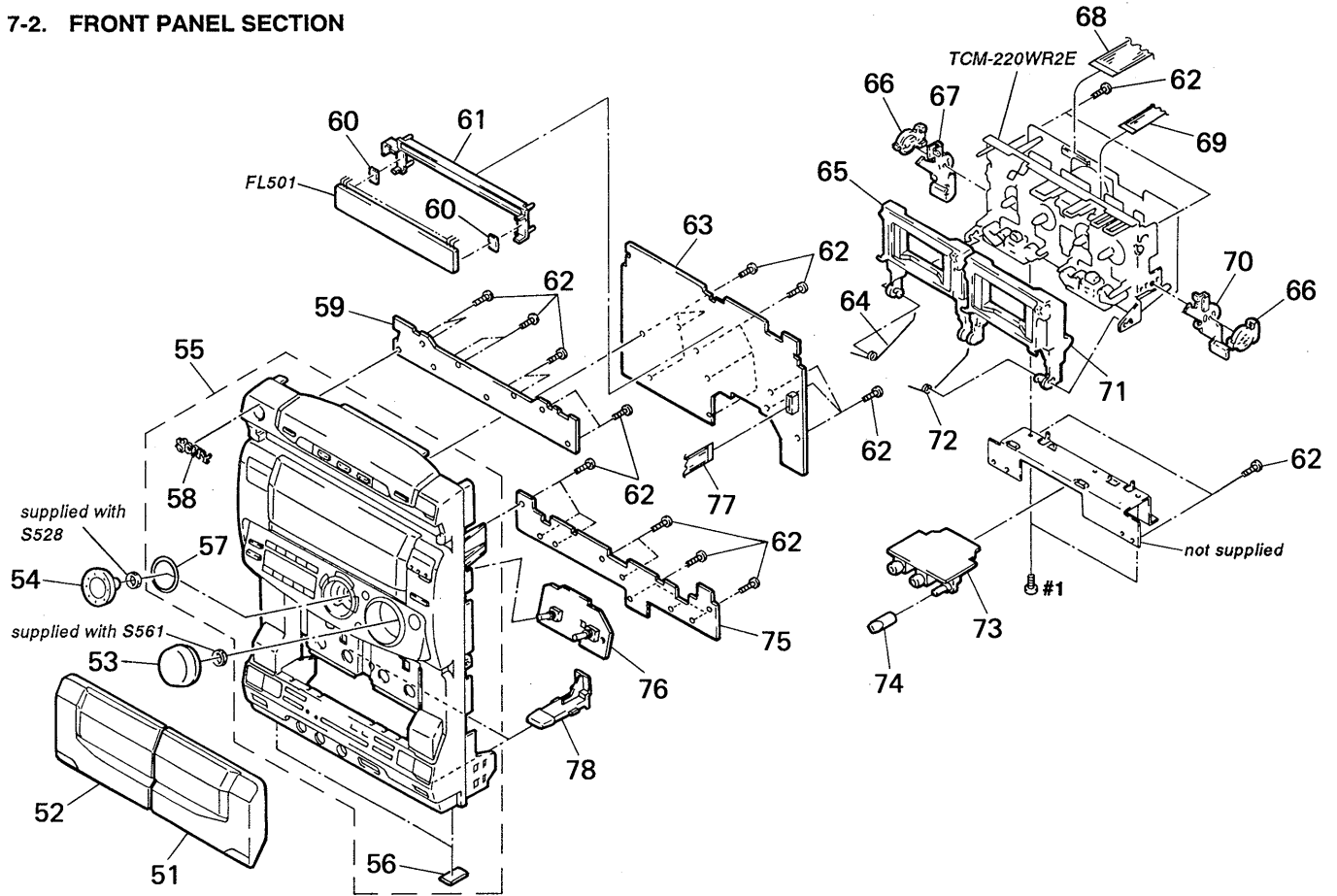
Les composants identifiés par une marque Δ sont critiques pour la sécurité. Ne les remplacer que par une pièce portant le numéro spécifié.

7-1. CHASSIS SECTION



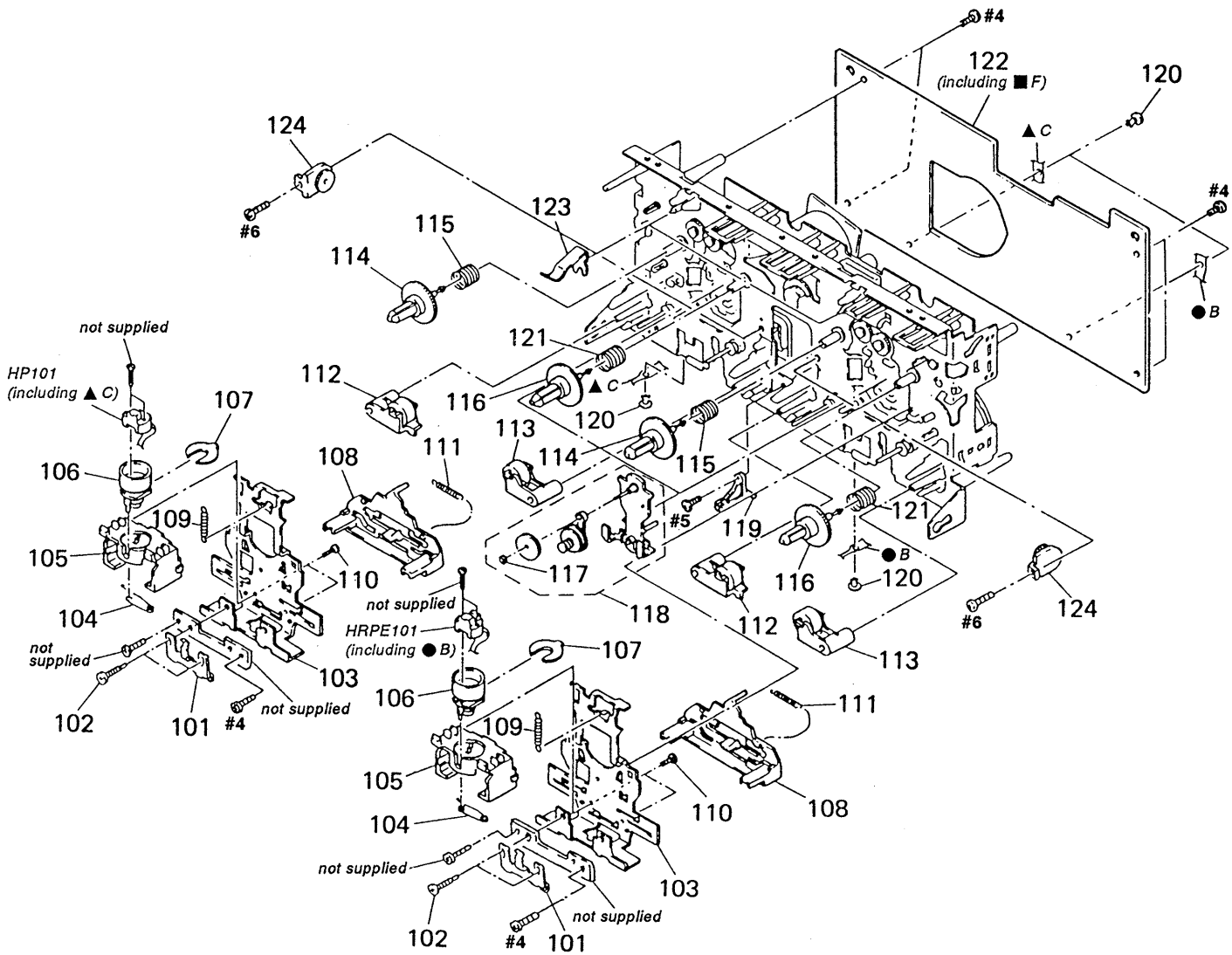
Ref. No.	Part No.	Description	Remark	Ref. No.	Part No.	Description	Remark
1	4-978-714-01	PANEL, LOADING (US,CND,AEP,G,IT,UK,EE,CIS: made in Malaysia)		8	1-751-086-11	WIRE (FLAT TYPE) (13 CORE) (US,CND,AR,AUS,E2,MX,TH,EA4)	
1	4-978-714-11	PANEL, LOADING (AR,AUS,EA3,E,HK,JE,MX,MY, SP,TW:made in Malaysia/TH,EA4:made in Thailand)		8	1-773-012-11	WIRE (FLAT TYPE) (15 CORE) (AEP,IT,G,UK,CIS, EE,E3,JE,MX,MY,EA3,TW,SP,IA)	
1	4-978-714-31	PANEL, LOADING (H881D;US,CND:made in Malaysia)		* 9	A-4389-045-A	MAIN BOARD, COMPLETE (H881:US,CND)	
1	4-980-115-21	PANEL, LOADING (H881;US,CND,AEP,G,IT, UK,EE,CIS:made in Indonesia)		* 9	A-4389-046-A	MAIN BOARD, COMPLETE (AEP,UK)	
1	4-980-115-31	PANEL, LOADING (AR,AUS,E,HK,MX,SP,IA:made in Indonesia)		* 9	A-4389-047-A	MAIN BOARD, COMPLETE (G,IT)	
1	4-980-115-51	PANEL, LOADING (H881D;US,CND:made in Indonesia)		* 9	A-4389-048-A	MAIN BOARD, COMPLETE (EE)	
2	3-363-099-01	SCREW (CASE 3 TP2)		* 9	A-4389-049-A	MAIN BOARD, COMPLETE (CIS)	
* 3	4-978-748-01	CASE (made in Malaysia)		* 9	A-4389-050-A	MAIN BOARD, COMPLETE (AR,E2,MX)	
* 3	4-978-748-61	CASE (made in Indonesia)		* 9	A-4389-051-A	MAIN BOARD, COMPLETE (EA,E3,HK,MY,SP,TW)	
* 4	1-659-116-11	TRANS BOARD		* 9	A-4389-052-A	MAIN BOARD, COMPLETE (AUS,TH)	
* 5	1-533-217-31	HOLDER, FUSE		* 9	A-4389-197-A	MAIN BOARD, COMPLETE (H881D:US,CND)	
* 6	A-4389-022-A	POWER BOARD, COMPLETE (H881D:US,CND)		* 9	A-4389-358-A	MAIN BOARD, COMPLETE (JE)	
* 6	A-4389-040-A	POWER BOARD, COMPLETE (H881:US,CND)		* 10	3-703-244-00	BUSHING (2104), CORD(EXCEPT E,IA:made in Indonesia/E,JE,MX:made in Malaysia/TH)	
* 6	A-4389-041-A	POWER BOARD, COMPLETE (AEP,G,IT,UK,EE,CIS)		10	3-703-571-11	BUSHING (S) (4516), CORD (E,JE,MX:made in Malaysia/TH)	
* 6	A-4389-042-A	POWER BOARD, COMPLETE (AR,AUS,EA,SP,MY,MX,JE,HK,E,TW,TH)		10	4-966-266-01	BUSHING (S) (FBS002), CORD (E,IA:made in Indonesia)	
* 7	4-978-749-01	PANEL, BACK (H881;US:made in Malaysia)		11	4-965-822-01	FOOT	
* 7	4-978-749-11	PANEL, BACK (H881;CND:made in Malaysia)		△ 12	1-575-651-11	CORD, POWER (AR,AEP,G,IT,EA,CIS,SP,MY,HK,EE,TW)	
* 7	4-978-749-21	PANEL, BACK (AEP:made in Malaysia)		△ 12	1-575-653-11	CORD, POWER (MX,JE,E,IA)	
* 7	4-978-749-31	PANEL, BACK (UK:made in Malaysia)		△ 12	1-690-608-11	CORD, POWER (AUS)	
* 7	4-978-749-41	PANEL, BACK (G:made in Malaysia)		△ 12	1-690-609-21	CORD, POWER (US,CND)	
* 7	4-978-749-51	PANEL, BACK (IT:made in Malaysia)		△ 12	1-751-326-31	CORD, POWER (TH)	
* 7	4-978-749-61	PANEL, BACK (EE:made in Malaysia)		△ 12	1-751-520-21	CORD, POWER (UK)	
* 7	4-978-749-71	PANEL, BACK (CIS:made in Malaysia)		* 13	A-4303-514-A	TCB BOARD, COMPLETE (AEP,UK)	
* 7	4-979-268-01	PANEL, BACK (E:made in Malaysia)		* 13	A-4303-515-A	TCB BOARD, COMPLETE (G,IT)	
* 7	4-979-268-11	PANEL, BACK (EA3,TW:made in Malaysia)		* 13	A-4303-516-A	TCB BOARD, COMPLETE (EE)	
* 7	4-979-268-21	PANEL, BACK (AUS:made in Malaysia)		* 13	A-4303-517-A	TCB BOARD, COMPLETE (CIS)	
* 7	4-979-268-31	PANEL, BACK (MX:made in Malaysia)		* 13	A-4303-518-A	TCB BOARD, COMPLETE (E3,EA,MY,SP,TW,HK,JE,IA)	
* 7	4-979-268-41	PANEL, BACK (MY:made in Malaysia)		* 13	A-4303-522-A	TCB BOARD, COMPLETE (US,CND)	
* 7	4-979-268-51	PANEL, BACK (SP:made in Malaysia)		* 13	A-4303-524-A	TCB BOARD, COMPLETE (E2,AUS,AR,MX,TH)	
* 7	4-979-268-61	PANEL, BACK (AR:made in Malaysia)		14	1-698-659-11	FAN, DC (EXCEPT AEP,G,IT,UK,CIS,EE)	
* 7	4-979-268-71	PANEL, BACK (HK:made in Malaysia)		15	4-956-370-12	BAND, PLUG FIXED (UK,AUS,HK)	
* 7	4-979-268-81	PANEL, BACK (JE:made in Malaysia)		* 16	A-4377-454-A	POLAR BOARD, COMPLETE (CIS)	
* 7	4-979-268-91	PANEL, BACK (made in Thailand)		17	1-751-688-11	WIRE (FLAT TYPE) (13 CORE) (CIS)	
* 7	4-979-269-01	PANEL, BACK (H881D;US:made in Malaysia)		△ 18	1-770-019-11	ADAPTOR, CONVERSION PLUG 3P (HK)	
* 7	4-979-269-11	PANEL, BACK (H881D;CND:made in Malaysia)		△ 18	1-569-007-11	ADAPTER, CONVERSION 2P (E,JE,IA)	
* 7	4-979-277-01	PANEL, BACK (H881;US:made in Indonesia)		△ 18	1-569-008-11	ADAPTER, CONVERSION 2P (EA3,SP,TW)	
* 7	4-979-277-11	PANEL, BACK (H881;CND:made in Indonesia)		△ F1601	1-532-299-00	FUSE (T5AL,250V) (AEP,UK,G,IT,EE,CIS)	
* 7	4-979-277-21	PANEL, BACK (AEP:made in Indonesia)		△ F1602	1-532-299-00	FUSE (T5AL,250V) (AEP,UK,G,IT,EE,CIS)	
* 7	4-979-277-31	PANEL, BACK (UK:made in Indonesia)		△ F1603	1-532-350-00	FUSE (T4AL,250V) (E,EA,SP,JE,HK,IA,MX)	
* 7	4-979-277-41	PANEL, BACK (G:made in Indonesia)		△ F1603	1-533-420-11	FUSE, GLASS TUBE (5A 125V) (US,CND)	
* 7	4-979-277-51	PANEL, BACK (IT:made in Indonesia)		△ F1604	1-532-203-00	FUSE (T2AL,250V) (E,EA,JE,HK,AR,MY,AUS,TW)	
* 7	4-979-277-61	PANEL, BACK (EE:made in Indonesia)		△ T1601	1-429-294-11	TRANSFORMER, POWER (US,CND:made in Malaysia)	
* 7	4-979-277-71	PANEL, BACK (CIS:made in Indonesia)		△ T1601	1-429-295-11	TRANSFORMER, POWER (US,CND:made in Indonesia)	
* 7	4-979-278-01	PANEL, BACK (E,IA:made in Indonesia)		△ T1601	1-429-296-11	TRANSFORMER, POWER (AEP,IT,G,UK,EE,CIS:made in Malaysia)	
* 7	4-979-278-21	PANEL, BACK (AUS:made in Indonesia)		△ T1601	1-429-297-11	TRANSFORMER, POWER (AEP,IT,G,UK,EE,CIS:made in Indonesia)	
* 7	4-979-278-31	PANEL, BACK (MX:made in Indonesia)		△ T1601	1-429-298-11	TRANSFORMER, POWER (AR,AUS,EA3,E,HK,JE, MX,MY,SP,TW:made in Malaysia/TH,EA4 :made in Thailand)	
* 7	4-979-278-51	PANEL, BACK (SP:made in Indonesia)		△ T1601	1-429-299-11	TRANSFORMER, POWER (AR,AUS,E,HK,MX,SP,IA:made in Indonesia)	
* 7	4-979-278-61	PANEL, BACK (AR:made in Indonesia)					
* 7	4-979-278-71	PANEL, BACK (HK:made in Indonesia)					
* 7	4-979-279-01	PANEL, BACK (H881D;US:made in Indonesia)					
* 7	4-979-279-11	PANEL, BACK (H881D;CND:made in Indonesia)					

7-2. FRONT PANEL SECTION



Ref. No.	Part No.	Description	Remark	Ref. No.	Part No.	Description	Remark
51	X-4946-662-1	LID (B) ASSY, CASSETTE (made in Malaysia/ made in Thailand)		62	4-951-620-01	SCREW (2.6X8), +BVTP	
51	X-4946-788-1	LID (B) ASSY, CASSETTE (made in Indonesia)		*	A-4389-024-A	PANEL BOARD, COMPLETE (US,CND)	
52	X-4946-661-1	LID (A) ASSY, CASSETTE (made in Malaysia/ made in Thailand)		*	A-4389-025-A	PANEL BOARD, COMPLETE (AEP,G,IT,UK)	
52	X-4946-787-1	LID (A) ASSY, CASSETTE (made in Indonesia)		*	A-4389-026-A	PANEL BOARD, COMPLETE (AR,AUS,EE,E2,MX,TH)	
53	4-978-733-01	KNOB, VOL (made in Malaysia/made in Thailand)		*	A-4389-027-A	PANEL BOARD, COMPLETE (EA,E3,HK,JE,MY,SP, CIS,TW)	
53	4-978-733-11	KNOB, VOL (made in Indonesia)		64	4-959-231-11	SPRING (L), TORSION	
54	4-978-732-01	KNOB, JOG (made in Malaysia/made in Thailand)		65	X-4946-663-1	HOLDER (L) ASSY, CASSETTE (made in Malaysia / Thailand)	
54	4-978-732-11	KNOB, JOG (made in Indonesia)		65	X-4946-789-1	HOLDER (L) ASSY, CASSETTE (made in Indonesia)	
55	4-978-713-21	PANEL, FRONT (AEP,G,IT,UK,EE:made in Indonesia)		66	3-354-957-01	JOINT (LOCK LEVER)	
55	4-978-713-31	PANEL, FRONT (EXCEPT AEP,G,IT,UK, EE:made in Indonesia)		*	3-354-953-01	LEVER (LOCK LEVER L)	
55	X-4946-659-1	PANEL ASSY, FRONT (AEP,G,IT,UK,EE:made in Malaysia)		68	1-773-157-11	WIRE (FLAT TYPE) (21 CORE)	
55	X-4946-660-1	PANEL ASSY, FRONT (EXCEPT AEP,G,IT,UK,EE/ made in Malaysia)		69	1-765-325-11	WIRE (FLAT TYPE) (11 CORE) (EXCEPT TH,EA4)	
55	X-4947-003-1	PANEL ASSY, FRONT (AEP,G,IT,UK,EE:made in Indonesia)		69	1-769-945-11	WIRE (FLAT TYPE) (11 CORE) (TH,EA4)	
55	X-4947-016-1	PANEL ASSY, FRONT (EXCEPT AEP,G,IT,UK,EE/ made in Indonesia)		* 70	3-354-954-01	LEVER (LOCK LEVER R)	
56	4-930-336-61	FOOT (FELT)		71	X-4946-664-1	HOLDER (R) ASSY, CASSETTE (made in Malaysia / Thailand)	
57	4-978-745-01	PLATE, ORNAMENTAL, JOG (made in Malaysia/ made in Thailand)		71	X-4946-790-1	HOLDER (R) ASSY, CASSETTE (made in Indonesia)	
57	4-978-745-31	PLATE, ORNAMENTAL, JOG (made in Indonesia)		72	4-959-232-11	SPRING (R), TORSION	
58	4-962-708-11	EMBLEM (4-A), SONY (made in Malaysia/ Thailand)		* 73	A-4389-031-A	HP/MIC BOARD, COMPLETE (EXCEPT AEP,G,IT,UK)	
58	4-962-708-21	EMBLEM (4-A), SONY (made in Indonesia)		* 73	A-4389-032-A	HP/MIC BOARD, COMPLETE (AEP,G,IT,UK)	
* 59	A-4389-029-A	CD-SW BOARD, COMPLETE		74	4-973-644-01	KNOB (MIC)	
* 60	4-932-810-11	CUSHION (FL)		* 75	A-4389-030-A	TC-SW BOARD, COMPLETE	
* 61	4-971-014-11	HOLDER, FL TUBE		* 76	A-4389-028-A	JOG BOARD, COMPLETE	
				77	1-769-977-11	WIRE (FLAT TYPE) (13 CORE)	
				78	4-978-731-01	BUTTON, EJECT (made in Malaysia/ Thailand)	
				78	4-978-731-11	BUTTON, EJECT (made in Indonesia)	
				FL501	1-517-483-11	INDICATOR TUBE, FLUORESCENT	

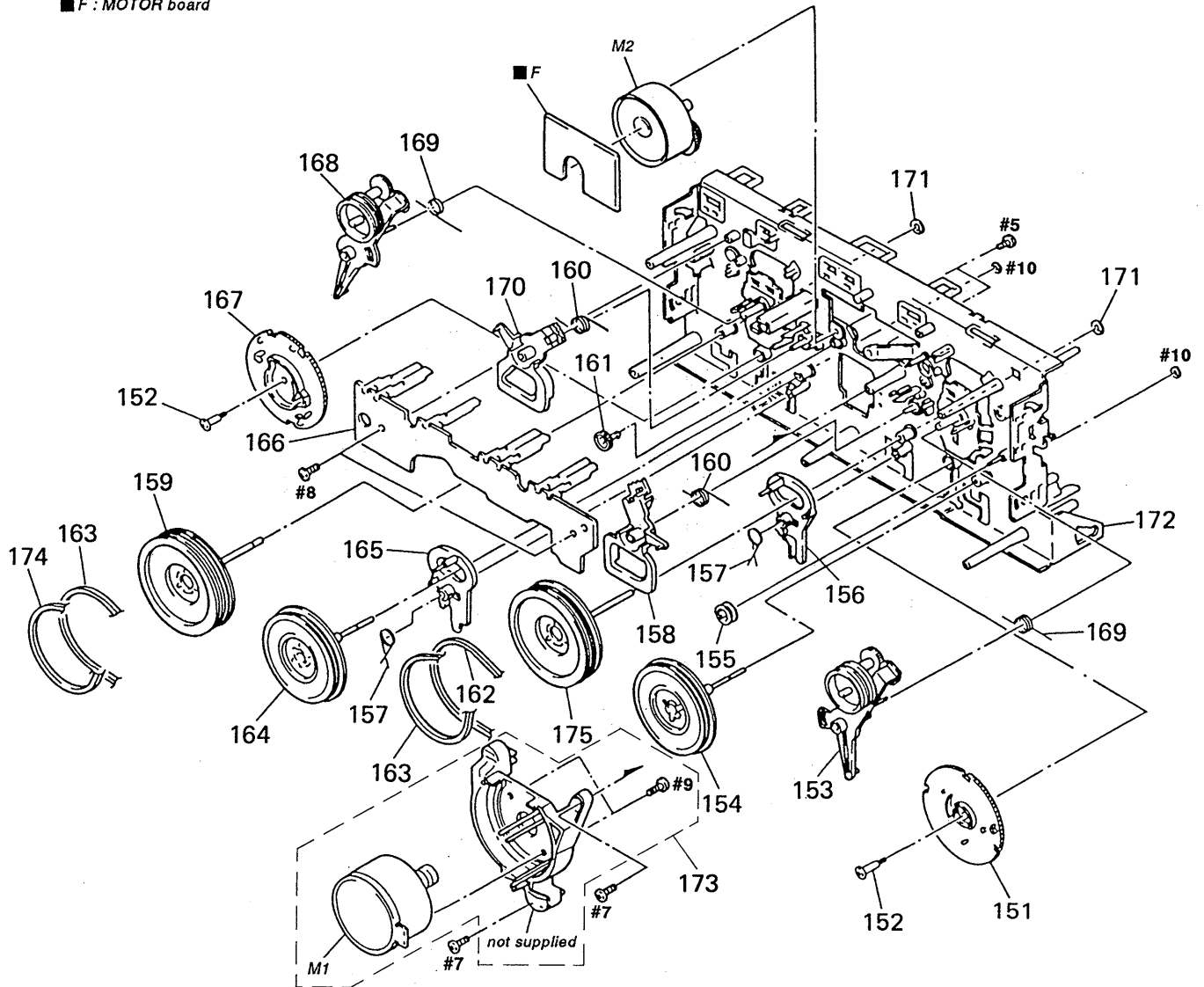
7-3. MECHANISM DECK SECTION-1
(TCM-220WR2E)



Ref. No.	Part No.	Description	Remark	Ref. No.	Part No.	Description	Remark
101	3-908-560-01	SPRING, AZIMUTH ADJUSTMENT		114	3-908-613-01	GEAR (S), REEL	
102	3-919-684-01	SCREW, AZIMUTH ADJUSTMENT		115	3-917-141-01	SPRING, COMPRESSION	
* 103	X-3367-584-2	SLIDER (HEAD) ASSY		116	X-3371-305-1	REEL (T) ASSY	
104	3-908-556-01	SPRING, HEAD TOGGLE		117	3-669-465-01	WASHER (1.5), STOPPER	
105	3-908-558-02	FITTING BLOCK, HEAD		118	X-3370-173-1	TU ASSY	
106	3-908-557-02	ROTARY BLOCK, HEAD		* 119	3-908-611-01	FULCRUM, HOLDER	
* 107	3-908-559-01	STOPPER, AZIMUTH		120	3-911-116-21	RIVET, PUSH	
108	3-908-555-01	SLIDER (REV SLIDER)		121	3-917-142-01	SPRING, COMPRESSION	
109	3-917-143-11	SPRING, TENSION		* 122	A-2007-435-A	AUDIO BOARD, COMPLETE	
110	3-388-848-01	SCREW (P2X6) (B TIGHT)		123	3-930-972-01	DETENT, HALF	
111	3-911-113-01	SPRING, TENSION		124	3-354-963-01	DAMPER	
112	X-3370-643-1	PINCH LEVER (REV) ASSY		HP101	1-500-093-11	HEAD, MAGNETIC (PLAYBACK)	
113	X-3367-588-1	PINCH LEVER (FWD) ASSY		HRPE101	1-500-094-11	HEAD, MAGNETIC (REC/PB/ERASE)	

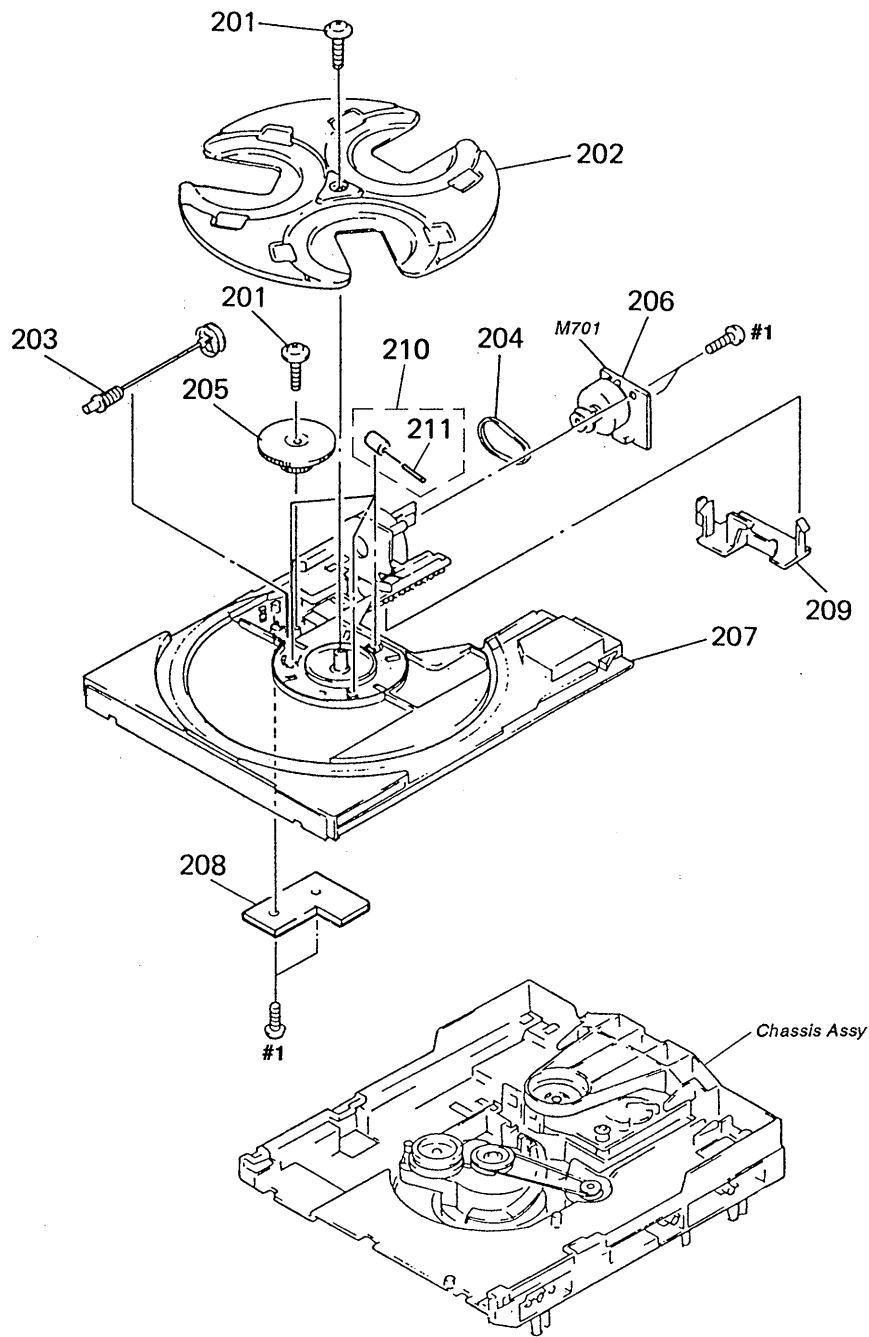
**7-4. MECHANISM DECK SECTION-2
(TCM-220WR2E)**

■ F : MOTOR board



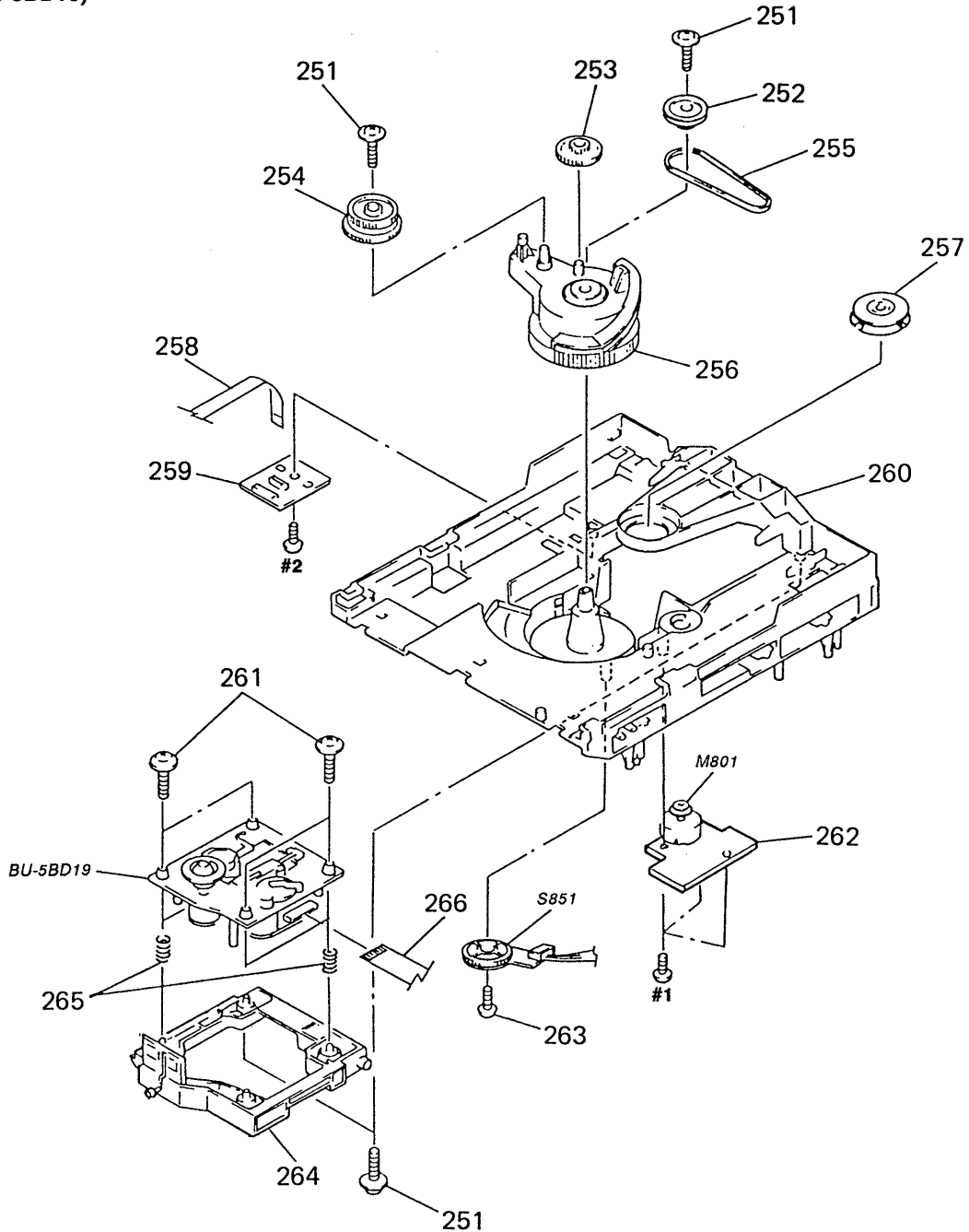
Ref. No.	Part No.	Description	Remark	Ref. No.	Part No.	Description	Remark
151	3-908-597-01	CAM (A)		165	3-908-600-01	LEVER (REV-B)	
152	3-908-608-11	SCREW, STEP		* 166	1-650-669-11	LEAF SWITCH BOARD	
153	X-3367-590-2	ARM (A) ASSY, FR		167	3-908-598-01	CAM (B)	
154	X-3370-169-1	FLYWHEEL (AR) ASSY		168	X-3369-849-2	ARM (B) ASSY, FR	
155	3-928-047-01	PULLEY, TENSION		169	3-914-111-01	SPRING (FR), TORSION	
156	3-908-599-01	LEVER (REV-A)		170	3-908-604-01	LEVER (TRIGGER B)	
157	3-908-601-01	SPRING (REV LEVER), TORSION		171	3-911-115-01	WASHER, STOPPER	
158	3-908-603-01	LEVER (TRIGGER A)		172	X-3371-441-1	CHASSIS ASSY	
159	X-3367-593-1	FLYWHEEL (BF) ASSY		173	A-2004-409-A	MOTOR ASSY, CAPSTAN	
160	3-908-605-01	SPRING (TRIGGER), TORSION		174	3-917-176-11	BELT (B)	
161	3-908-609-01	GEAR, TRIGGER		175	X-3370-172-1	FLYWHEEL (AF) ASSY	
162	3-913-845-11	BELT (A)		M1	X-3371-223-1	MOTOR ASSY (CAPSTAN)	
163	3-913-846-11	BELT (FR)		M2	A-2004-410-A	MOTOR ASSY, DC (TRIGGER)	
164	X-3370-171-1	FLYWHEEL (BR) ASSY					

7-5. DISC TABLE ASSY SECTION
(CDM38-5BD19)



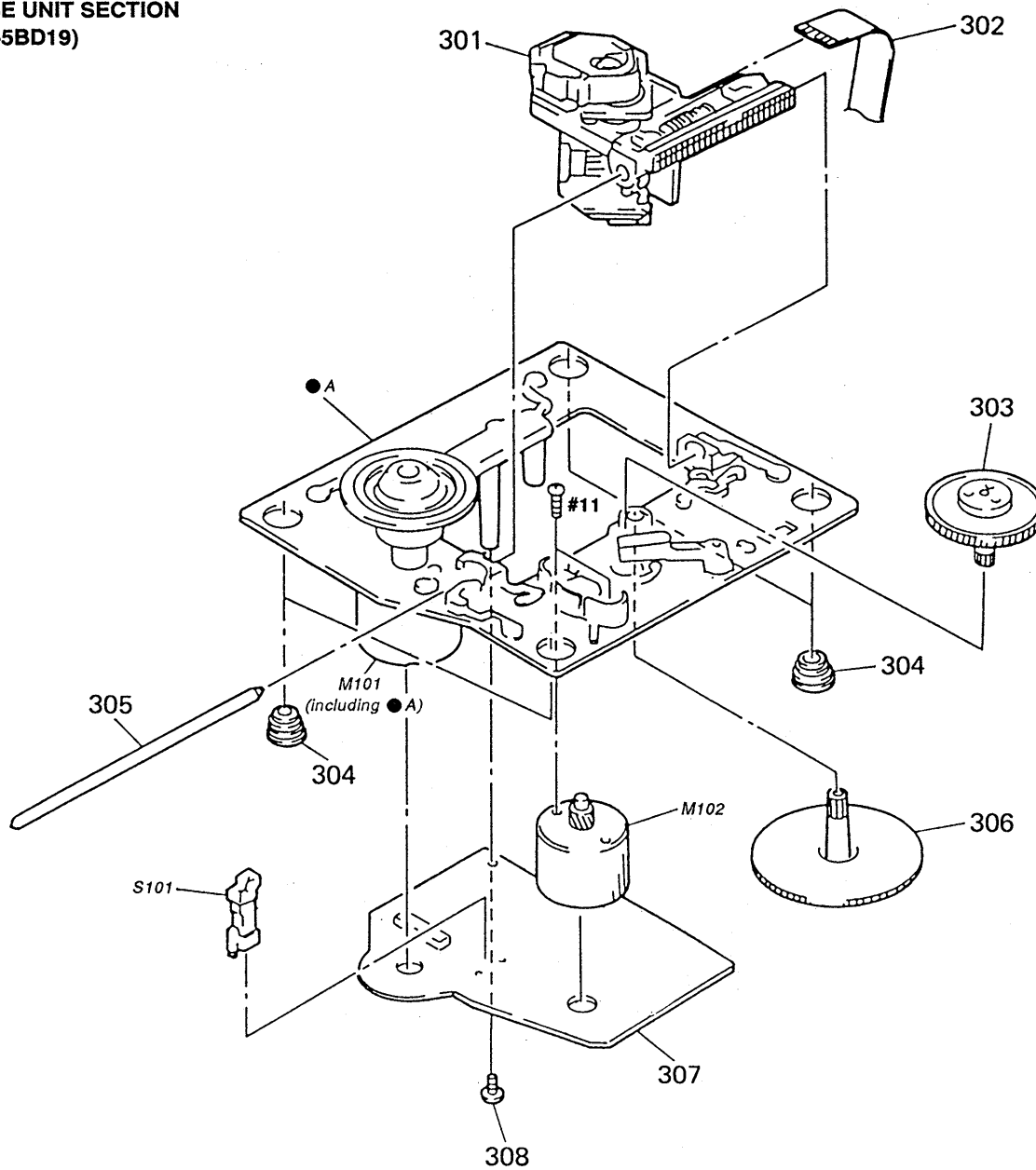
Ref. No.	Part No.	Description	Remark	Ref. No.	Part No.	Description	Remark
201	4-917-583-21	BRACKET, YOKE		207	4-977-944-01	TRAY (SLIDE)	
202	4-977-945-01	TRAY (TURN)		* 208	1-658-576-12	SENSOR BOARD	
203	X-4946-665-2	SHAFT ASSY, WORM (H881/H881D)		209	4-977-941-01	BEARING (WORM)	
204	4-977-943-01	BELT (TURN) (1.2)		210	X-4924-457-1	ROLLER ASSY	
205	4-977-956-01	WHEEL, WORM		211	4-934-376-01	SHAFT (ROLLER)	
* 206	1-658-577-11	MOTOR (TURN) BOARD		M701	A-4660-586-A	MOTOR ASSY(TURN)	

**7-6. CDM CHASSIS SECTION
(CDM38-5BD19)**



Ref. No.	Part No.	Description	Remark	Ref. No.	Part No.	Description	Remark
251	4-917-583-21	BRACKET, YOKE		261	4-933-134-01	SCREW (+PTPWH M2.6X6)	
252	4-977-954-01	PULLEY (SL)		262	1-658-578-12	MOTOR (SLIDE) BOARD	
253	4-977-953-01	GEAR (SL-A)		263	4-951-620-41	SCREW (2.6), +BVTP	
254	4-977-955-01	GEAR (SL-B)		* 264	X-4946-666-1	HOLDER (BU) ASSY	
255	4-977-942-01	BELT (SL) (1.4)		265	4-958-593-01	SPRING (BU), COMPRESSION	
256	X-4946-667-1	CAM ASSY, BU		266	1-776-442-11	WIRE (FLAT TYPE) (19 CORE) (EXCEPT TH)	
257	1-452-538-11	MAGNET		M801	A-4660-586-A	MOTOR ASSY(SLIDE)	
258	1-776-042-11	WIRE (FLAT TYPE) (8 CORE)		S851	1-473-335-11	ENCODER, ROTARY	
* 259	1-658-575-11	CONNECTOR BOARD					
* 260	X-4946-668-1	CHASSIS (CDM) ASSY					

7-7. BASE UNIT SECTION
(BU-5BD19)



<p>The components identified by mark Δ or dotted line with mark Δ are critical for safety. Replace only with part number specified.</p>	<p>Les composants identifiés par une marque Δ sont critiques pour la sécurité. Ne les remplacer que par une pièce portant le numéro spécifié.</p>
---	---

Ref. No.	Part No.	Description	Remark	Ref. No.	Part No.	Description	Remark
Δ 301	8-848-367-11	DEVICE, OPTICAL KSS-213BA/F-NP		* 307	A-4673-402-A	BD BOARD, COMPLETE	
302	1-769-069-11	WIRE (FLAT TYPE) (16 CORE)		308	4-951-620-01	SCREW (2.6X8), +BVTP	
303	4-917-567-01	GEAR (M)		M101	X-4917-523-4	BASE OUTSERT ASSY(SPINDLE)	
304	4-951-940-01	INSULATOR (BU)		M102	X-4917-504-1	MOTOR ASSY(SLED)	
305	4-917-565-01	SHAFT, SLED		S101	1-572-085-11	SWITCH, LEAF (LIMIT SW)	
306	4-917-564-01	GEAR (P), FLATNESS					

AUDIO

MOTOR

BD

Ref. No.	Part No.	Description	Remark
R601	1-249-409-11	CARBON 220	5% 1/4W
R602	1-249-409-11	CARBON 220	5% 1/4W
R608	1-249-409-11	CARBON 220	5% 1/4W
R609	1-249-433-11	CARBON 22K	5% 1/4W
R611	1-249-409-11	CARBON 220	5% 1/4W
R612	1-249-409-11	CARBON 220	5% 1/4W
△ R621	1-212-851-00	FUSIBLE 5.6	5% 1/4W F
△ R622	1-212-851-00	FUSIBLE 5.6	5% 1/4W F
R623	1-249-432-11	CARBON 18K	5% 1/4W
R624	1-249-432-11	CARBON 18K	5% 1/4W
R625	1-249-429-11	CARBON 10K	5% 1/4W
R651	1-247-856-00	CARBON 11K	5% 1/4W
R652	1-247-856-00	CARBON 11K	5% 1/4W
R653	1-249-441-11	CARBON 100K	5% 1/4W
< VARIABLE RESISTOR >			
RV301	1-238-598-11	RES, ADJ, CARBON 2.2K (PB LEVEL L)	
RV311	1-238-598-11	RES, ADJ, CARBON 2.2K (PB LEVEL L)	
RV341	1-238-551-11	RES, ADJ, CARBON 220K (REC BIAS L)	
RV401	1-238-598-11	RES, ADJ, CARBON 2.2K (PB LEVEL R)	
RV411	1-238-598-11	RES, ADJ, CARBON 2.2K (PB LEVEL R)	
RV441	1-238-551-11	RES, ADJ, CARBON 220K (REC BIAS R)	
RV651	1-238-599-11	RES, ADJ, CARBON 4.7K (TAPE SPEED (NORMAL))	
RV652	1-238-599-11	RES, ADJ, CARBON 4.7K (TAPE SPEED(HIGH))	
< TRANSFORMER >			
T621	1-423-980-11	TRANSFORMER, BIAS OSCILLATION	

*	A-4673-402-A	BD BOARD, COMPLETE	

< CAPACITOR >			
C101	1-126-607-11	ELECT CHIP 47uF	20% 4V
C102	1-163-275-11	CERAMIC CHIP 0.001uF	5% 50V
C103	1-164-346-11	CERAMIC CHIP 1uF	16V
C105	1-163-038-91	CERAMIC CHIP 0.1uF	25V
C106	1-164-695-11	CERAMIC CHIP 0.0022uF	5% 50V
C107	1-164-695-11	CERAMIC CHIP 0.0022uF	5% 50V
C108	1-164-232-11	CERAMIC CHIP 0.01uF	50V
C109	1-164-232-11	CERAMIC CHIP 0.01uF	50V
C110	1-163-989-11	CERAMIC CHIP 0.033uF	10% 25V
C111	1-163-038-91	CERAMIC CHIP 0.1uF	25V
C112	1-163-038-91	CERAMIC CHIP 0.1uF	25V
C113	1-164-695-11	CERAMIC CHIP 0.0022uF	5% 50V
C114	1-164-005-11	CERAMIC CHIP 0.47uF	25V
C115	1-126-607-11	ELECT CHIP 47uF	20% 4V
C116	1-163-143-00	CERAMIC CHIP 0.0012uF	5% 50V
C117	1-164-005-11	CERAMIC CHIP 0.47uF	25V
C118	1-163-038-91	CERAMIC CHIP 0.1uF	25V
C119	1-163-038-91	CERAMIC CHIP 0.1uF	25V
C120	1-135-201-11	TANTALUM CHIP 10uF	20% 4V

Ref. No.	Part No.	Description	Remark
C121	1-163-038-91	CERAMIC CHIP 0.1uF	25V
C122	1-164-232-11	CERAMIC CHIP 0.01uF	50V
C123	1-163-038-91	CERAMIC CHIP 0.1uF	25V
C124	1-126-607-11	ELECT CHIP 47uF	20% 4V
C125	1-164-232-11	CERAMIC CHIP 0.01uF	50V
C126	1-163-038-91	CERAMIC CHIP 0.1uF	25V
C127	1-164-695-11	CERAMIC CHIP 0.0022uF	5% 50V
C128	1-163-135-00	CERAMIC CHIP 560PF	5% 50V
C129	1-163-038-91	CERAMIC CHIP 0.1uF	25V
C130	1-164-336-11	CERAMIC CHIP 0.33uF	25V
C131	1-163-038-91	CERAMIC CHIP 0.1uF	25V
C132	1-163-037-11	CERAMIC CHIP 0.022uF	10% 25V
C133	1-163-145-00	CERAMIC CHIP 0.0015uF	5% 50V
C134	1-164-346-11	CERAMIC CHIP 1uF	16V
C135	1-163-251-11	CERAMIC CHIP 100PF	5% 50V
C136	1-164-005-11	CERAMIC CHIP 0.47uF	25V
C137	1-164-232-11	CERAMIC CHIP 0.01uF	50V
C139	1-163-235-11	CERAMIC CHIP 22PF	5% 50V
C140	1-163-235-11	CERAMIC CHIP 22PF	5% 50V
C141	1-163-038-91	CERAMIC CHIP 0.1uF	25V
C142	1-163-038-91	CERAMIC CHIP 0.1uF	25V
C145	1-135-201-11	TANTALUM CHIP 10uF	20% 4V
C146	1-135-201-11	TANTALUM CHIP 10uF	20% 4V
C147	1-163-275-11	CERAMIC CHIP 0.001uF	5% 50V
C148	1-163-275-11	CERAMIC CHIP 0.001uF	5% 50V
C149	1-164-346-11	CERAMIC CHIP 1uF	16V
C153	1-135-259-11	TANTAL. CHIP 10uF	20% 6.3V
C154	1-163-235-11	CERAMIC CHIP 22PF	5% 50V
< CONNECTOR >			
CNU101	1-770-014-11	CONNECTOR, FFC/FPC 16P	
CNU102	1-770-013-11	CONNECTOR, FFC/FPC 19P	
< IC >			
IC101	8-752-069-56	IC CXA1782BQ	
IC102	8-759-291-06	IC BA6397FP-T1	
IC103	8-752-372-94	IC CXD2507AQ	
IC104	8-759-185-29	IC PCM1710U-BT1	
< TRANSISTOR >			
Q102	8-729-424-08	TRANSISTOR MUN2111T1	
Q103	8-729-421-22	TRANSISTOR MUN2211T1	
< RESISTOR >			
R102	1-216-001-00	METAL CHIP 10	5% 1/10W
R103	1-216-049-91	METAL GLAZE 1K	5% 1/10W
R104	1-216-097-91	METAL GLAZE 100K	5% 1/10W
R105	1-216-089-91	METAL GLAZE 47K	5% 1/10W
R106	1-216-089-91	METAL GLAZE 47K	5% 1/10W
R107	1-216-089-91	METAL GLAZE 47K	5% 1/10W
R108	1-216-089-91	METAL GLAZE 47K	5% 1/10W

<p>The components identified by mark Δ or dotted line with mark Δ are critical for safety. Replace only with part number specified.</p>	<p>Les composants identifiés par une marque Δ sont critiques pour la sécurité. Ne les remplacer que par une pièce portant le numéro spécifié.</p>
---	---

Ref. No.	Part No.	Description	Remark
R109	1-216-097-91	METAL GLAZE	100K 5% 1/10W
R112	1-216-077-00	METAL CHIP	15K 5% 1/10W
R113	1-216-077-00	METAL CHIP	15K 5% 1/10W
R114	1-216-101-00	METAL CHIP	150K 5% 1/10W
R115	1-216-101-00	METAL CHIP	150K 5% 1/10W
R116	1-216-061-00	METAL CHIP	3.3K 5% 1/10W
R117	1-216-093-00	METAL CHIP	68K 5% 1/10W
R118	1-216-049-91	METAL GLAZE	1K 5% 1/10W
R119	1-216-121-91	METAL GLAZE	1M 5% 1/10W
R120	1-216-089-91	METAL GLAZE	47K 5% 1/10W
R121	1-216-114-00	METAL GLAZE	510K 5% 1/10W
R122	1-216-097-91	METAL GLAZE	100K 5% 1/10W
R123	1-216-099-00	METAL CHIP	120K 5% 1/10W
R124	1-216-091-00	METAL CHIP	56K 5% 1/10W
R125	1-216-069-00	METAL CHIP	6.8K 5% 1/10W
R126	1-216-063-91	METAL GLAZE	3.9K 5% 1/10W
R127	1-216-089-91	METAL GLAZE	47K 5% 1/10W
R128	1-216-105-91	METAL GLAZE	220K 5% 1/10W
R129	1-216-049-91	METAL GLAZE	1K 5% 1/10W
R130	1-216-079-00	METAL CHIP	18K 5% 1/10W
R131	1-216-079-00	METAL CHIP	18K 5% 1/10W
R132	1-216-061-00	METAL CHIP	3.3K 5% 1/10W
R133	1-216-061-00	METAL CHIP	3.3K 5% 1/10W
R134	1-216-065-00	METAL CHIP	4.7K 5% 1/10W
R135	1-216-065-00	METAL CHIP	4.7K 5% 1/10W
R136	1-216-073-00	METAL CHIP	10K 5% 1/10W
R137	1-216-065-00	METAL CHIP	4.7K 5% 1/10W
R138	1-216-049-91	METAL GLAZE	1K 5% 1/10W
R139	1-216-033-00	METAL CHIP	220 5% 1/10W
R140	1-216-081-00	METAL CHIP	22K 5% 1/10W
R141	1-216-061-00	METAL CHIP	3.3K 5% 1/10W
R142	1-216-061-00	METAL CHIP	3.3K 5% 1/10W
R143	1-216-121-91	METAL GLAZE	1M 5% 1/10W
R144	1-216-073-00	METAL CHIP	10K 5% 1/10W
R145	1-216-097-91	METAL GLAZE	100K 5% 1/10W
R146	1-216-097-91	METAL GLAZE	100K 5% 1/10W
R147	1-216-049-91	METAL GLAZE	1K 5% 1/10W
R148	1-216-049-91	METAL GLAZE	1K 5% 1/10W
R149	1-216-049-91	METAL GLAZE	1K 5% 1/10W
R150	1-216-037-00	METAL CHIP	330 5% 1/10W
R151	1-216-037-00	METAL CHIP	330 5% 1/10W
R152	1-216-037-00	METAL CHIP	330 5% 1/10W
R153	1-216-089-91	METAL GLAZE	47K 5% 1/10W
R154	1-216-065-00	METAL CHIP	4.7K 5% 1/10W
R156	1-216-081-00	METAL CHIP	22K 5% 1/10W
R157	1-216-069-00	METAL CHIP	6.8K 5% 1/10W
R158	1-216-001-00	METAL CHIP	10 5% 1/10W
< VARIABLE RESISTOR >			
RV101	1-241-396-11	RES, ADJ, METAL GLAZE 22K(FOCUS BIAS)	
RV102	1-241-396-11	RES, ADJ, METAL GLAZE 22K(FOCUS GAIN)	
RV103	1-241-396-11	RES, ADJ, METAL GLAZE 22K(TRACKING GAIN)	

Ref. No.	Part No.	Description	Remark
< SWITCH >			
S101	1-572-085-11	SWITCH, LEAF (LIMIT SW)	
< VIBRATOR >			
X101	1-579-280-11	VIBRATOR, CRYSTAL (16.9344MHz)	

*	A-4389-029-A	CD-SW BOARD, COMPLETE	*****
< CONNECTOR >			
* CN505	1-568-947-11	PIN, CONNECTOR 9P (EXCEPT TH)	
< DIODE >			
D516	8-719-056-13	LED SML79423C-TP15 (DISC 1)	
D517	8-719-056-13	LED SML79423C-TP15 (DISC 1)	
D518	8-719-056-13	LED SML79423C-TP15 (DISC 2)	
D519	8-719-056-13	LED SML79423C-TP15 (DISC 2)	
D520	8-719-056-13	LED SML79423C-TP15 (DISC 3)	
D521	8-719-056-13	LED SML79423C-TP15 (DISC 3)	
D522	8-719-056-13	LED SML79423C-TP15 (▷Ⓜ)	
< TRANSISTOR >			
Q510	8-729-119-76	TRANSISTOR 2SA1175-HFE	
Q511	8-729-119-76	TRANSISTOR 2SA1175-HFE	
Q512	8-729-119-76	TRANSISTOR 2SA1175-HFE	
Q513	8-729-119-76	TRANSISTOR 2SA1175-HFE	
< RESISTOR >			
R518	1-249-401-11	CARBON 47	5% 1/4W
R519	1-249-403-11	CARBON 68	5% 1/4W
R520	1-247-807-31	CARBON 100	5% 1/4W
R521	1-249-407-11	CARBON 150	5% 1/4W
R522	1-249-407-11	CARBON 150	5% 1/4W
R523	1-249-409-11	CARBON 220	5% 1/4W
R524	1-249-411-11	CARBON 330	5% 1/4W
R525	1-249-413-11	CARBON 470	5% 1/4W
R596	1-249-403-11	CARBON 68	5% 1/4W
R597	1-249-403-11	CARBON 68	5% 1/4W
R598	1-249-403-11	CARBON 68	5% 1/4W
R599	1-249-403-11	CARBON 68	5% 1/4W
R600	1-249-403-11	CARBON 68	5% 1/4W
R601	1-249-403-11	CARBON 68	5% 1/4W
R602	1-249-403-11	CARBON 68	5% 1/4W
R603	1-249-403-11	CARBON 68	5% 1/4W
R604	1-249-403-11	CARBON 68	5% 1/4W
R605	1-249-403-11	CARBON 68	5% 1/4W
R606	1-249-403-11	CARBON 68	5% 1/4W
R607	1-249-403-11	CARBON 68	5% 1/4W
R608	1-249-403-11	CARBON 68	5% 1/4W
R609	1-249-403-11	CARBON 68	5% 1/4W

CD-SW

CONNECTOR

HP/MIC

JOG

Ref. No.	Part No.	Description	Remark
		< SWITCH >	
S500	1-554-303-21	SWITCH, TACTILE (POWER)	
S501	1-554-303-21	SWITCH, TACTILE (LOOP)	
S502	1-554-303-21	SWITCH, TACTILE (DISC SKIP EX-CHANGE)	
S503	1-554-303-21	SWITCH, TACTILE (DISC 1)	
S504	1-554-303-21	SWITCH, TACTILE (DISC 2)	
S505	1-554-303-21	SWITCH, TACTILE (DISC 3)	
S506	1-554-303-21	SWITCH, TACTILE (≡ OPEN/CLOSE)	
S507	1-554-303-21	SWITCH, TACTILE (■)	
S508	1-554-303-21	SWITCH, TACTILE (▷◁)	

*	1-658-575-11	CONNECTOR BOARD	*****
		< CONNECTOR >	
* CN701	1-568-946-11	PIN, CONNECTOR 8P	
CN702	1-750-413-11	CONNECTOR, FFC/FPC 8P	
		< TRANSISTOR >	
Q701	8-729-900-80	TRANSISTOR BA1A4M-TP	
		< RESISTOR >	
R703	1-249-435-11	CARBON 33K 5% 1/4W	
R704	1-249-429-11	CARBON 10K 5% 1/4W	
R705	1-249-417-11	CARBON 1K 5% 1/4W	

*	A-4389-031-A	HP/MIC BOARD, COMPLETE (EXCEPT AEP,G,IT, UK)	
*	A-4389-032-A	HP/MIC BOARD, COMPLETE (AEP,G,IT,UK)	*****
		< CAPACITOR >	
C670	1-162-294-31	CERAMIC 0.001uF 10% 50V	
C671	1-162-294-31	CERAMIC 0.001uF 10% 50V	
C674	1-162-306-11	CERAMIC 0.01uF 30% 16V	
C675	1-124-257-00	ELECT 2.2uF 20% 50V	
C676	1-162-294-31	CERAMIC 0.001uF 10% 50V	
C677	1-162-215-31	CERAMIC 47PF 5% 50V	
C678	1-162-290-31	CERAMIC 470PF 10% 50V	
C679	1-124-465-00	ELECT 0.47uF 20% 50V	
C680	1-162-215-31	CERAMIC 47PF 5% 50V	
C681	1-162-282-31	CERAMIC 100PF 10% 50V	
C684	1-124-261-00	ELECT 10uF 20% 50V	
C686	1-124-261-00	ELECT 10uF 20% 50V	
C687	1-124-464-11	ELECT 0.22uF 20% 50V	
		< IC >	
IC670	8-759-634-51	IC M5218AP	

Ref. No.	Part No.	Description	Remark
		< JACK >	
J670	1-770-226-11	JACK (LARGE TYPE) (PHONES)	
J671	1-770-226-11	JACK (LARGE TYPE) (MIX MIC)	
		< RESISTOR >	
R670	1-249-429-11	CARBON 10K 5% 1/4W	
R671	1-249-417-11	CARBON 1K 5% 1/4W	
R672	1-249-441-11	CARBON 100K 5% 1/4W	
R673	1-249-417-11	CARBON 1K 5% 1/4W	
R674	1-249-433-11	CARBON 22K 5% 1/4W	
R675	1-249-429-11	CARBON 10K 5% 1/4W	
R676	1-247-881-00	CARBON 120K 5% 1/4W	
R677	1-247-807-31	CARBON 100 5% 1/4W	
		< VARIABLE RESISTOR >	
RV670	1-223-983-11	RES, VAR, CARBON 50K (MIC LEVEL)	*****

*	A-4389-028-A	JOG BOARD, COMPLETE	*****
		< DIODE >	
D508	8-719-058-17	LED LNJ401NPYJA (SONIC FORMATION)	
D509	8-719-057-30	LED HLMF-K205-21 1M (ENTER/NEXT)	
D510	8-719-057-97	LED SEL5923A-TP15 (▶▶▶)	
D511	8-719-057-97	LED SEL5923A-TP15 (◀◀◀)	
D512	8-719-057-97	LED SEL5923A-TP15 (+)	
D513	8-719-057-97	LED SEL5923A-TP15 (-)	
D514	8-719-057-97	LED SEL5923A-TP15 (→)	
D515	8-719-057-97	LED SEL5923A-TP15 (←)	
		< TRANSISTOR >	
Q507	8-729-119-76	TRANSISTOR 2SA1175-HFE	
Q508	8-729-119-76	TRANSISTOR 2SA1175-HFE	
Q509	8-729-119-76	TRANSISTOR 2SA1175-HFE	
		< RESISTOR >	
R541	1-249-413-11	CARBON 470 5% 1/4W	
R542	1-249-415-11	CARBON 680 5% 1/4W	
R543	1-249-417-11	CARBON 1K 5% 1/4W	
R544	1-249-419-11	CARBON 1.5K 5% 1/4W	
R545	1-249-421-11	CARBON 2.2K 5% 1/4W	
R546	1-249-423-11	CARBON 3.3K 5% 1/4W	
R588	1-247-807-31	CARBON 100 5% 1/4W	
R589	1-249-407-11	CARBON 150 5% 1/4W	
R590	1-247-807-31	CARBON 100 5% 1/4W	
R591	1-247-807-31	CARBON 100 5% 1/4W	
R592	1-247-807-31	CARBON 100 5% 1/4W	
R593	1-247-807-31	CARBON 100 5% 1/4W	
R594	1-247-807-31	CARBON 100 5% 1/4W	
R595	1-247-807-31	CARBON 100 5% 1/4W	

JOG

LEAF SWITCH

MAIN

Ref. No.	Part No.	Description	Remark
		< SWITCH >	
S524	1-554-303-21	SWITCH, TACTILE (DBFB)	
S526	1-554-303-21	SWITCH, TACTILE (SONIC FORMATION)	
S527	1-554-303-21	SWITCH, TACTILE (FREQUENCY +)	
S528	1-554-303-21	SWITCH, TACTILE (ENTER/NEXT)	
S529	1-554-303-21	SWITCH, TACTILE (FREQUENCY -)	
S561	1-467-869-11	ENCODER, ROTARY (VOLUME)	
S562	1-467-968-11	ENCODER, ROTARY (MULTI JOG STATION)	

*	1-650-669-11	LEAF SWITCH BOARD	

		< CONNECTOR >	
* CN1001	1-568-854-11	SOCKET, CONNECTOR 11P	
		< TRANSISTOR >	
Q1001	8-749-010-90	PHOTO REFLECTOR NJL5165KA-H	
Q1002	8-749-010-90	PHOTO REFLECTOR NJL5165KA-H	
		< RESISTOR >	
R1001	1-249-412-11	CARBON 390 5% 1/4W	
R1002	1-249-412-11	CARBON 390 5% 1/4W	
R1003	1-249-414-11	CARBON 560 5% 1/4W	
R1004	1-247-834-11	CARBON 1.3K 5% 1/4W	
R1005	1-247-818-11	CARBON 300 5% 1/4W	
		< SWITCH >	
S1001	1-692-832-11	SWITCH, PUSH (1 KEY) (A PLAY)	
S1002	1-692-832-11	SWITCH, PUSH (1 KEY) (B PLAY)	
S1003	1-572-248-11	SWITCH, LEAF (A HALF)	
S1004	1-571-281-21	SWITCH, LEAF (A CrO ₂)	
S1005	1-571-281-21	SWITCH, LEAF (REC A)	
S1006	1-572-248-11	SWITCH, LEAF (B HALF)	
S1008	1-571-281-21	SWITCH, LEAF (B CrO ₂)	
S1009	1-571-281-21	SWITCH, LEAF (REC B)	

*	A-4389-045-A	MAIN BOARD, COMPLETE (H881:US,CND)	
*	A-4389-046-A	MAIN BOARD, COMPLETE (AEP,UK)	
*	A-4389-047-A	MAIN BOARD, COMPLETE (G,IT)	
*	A-4389-048-A	MAIN BOARD, COMPLETE (EE)	
*	A-4389-049-A	MAIN BOARD, COMPLETE (CIS)	
*	A-4389-050-A	MAIN BOARD, COMPLETE (AR,E2,MX)	
*	A-4389-051-A	MAIN BOARD, COMPLETE (EA,E3,HK,MY,SP,TW)	
*	A-4389-052-A	MAIN BOARD, COMPLETE (AUS,TH)	
*	A-4389-197-A	MAIN BOARD, COMPLETE (H881D:US,CND)	
*	A-4389-358-A	MAIN BOARD, COMPLETE (JE)	

	7-685-646-79	SCREW +BVTP 3X8 TYPE2 N-S	

Ref. No.	Part No.	Description	Remark
		< CAPACITOR >	
C201	1-124-925-11	ELECT 2.2uF 20% 100V	
C202	1-162-600-11	CERAMIC 0.0047uF 30% 16V	
C203	1-126-925-11	ELECT 470uF 20% 10V	
C204	1-126-933-11	ELECT 100uF 20% 10V	
C205	1-162-306-11	CERAMIC 0.01uF 30% 16V	
C211	1-124-925-11	ELECT 2.2uF 20% 100V	
C212	1-162-600-11	CERAMIC 0.0047uF 30% 16V	
C250	1-162-306-11	CERAMIC 0.01uF 30% 16V	(AEP,G,IT,UK,EE)
C251	1-164-035-11	CERAMIC 47PF 5% 50V	(AEP,G,IT,UK,EE)
C252	1-102-527-11	CERAMIC 82PF 5% 50V	(AEP,G,IT,UK,EE)
C253	1-162-291-31	CERAMIC 560PF 10% 50V	(AEP,G,IT,UK,EE)
C254	1-162-306-11	CERAMIC 0.01uF 30% 16V	(AEP,G,IT,UK,EE)
C255	1-162-288-31	CERAMIC 330PF 10% 50V	(AEP,G,IT,UK,EE)
C256	1-124-925-11	ELECT 2.2uF 20% 100V	(AEP,G,IT,UK,EE)
C257	1-126-964-11	ELECT 10uF 20% 50V	(AEP,G,IT,UK,EE)
C258	1-162-291-31	CERAMIC 560PF 10% 50V	(AEP,G,IT,UK,EE)
C259	1-126-964-11	ELECT 10uF 20% 50V	(AEP,G,IT,UK,EE)
C260	1-164-159-11	CERAMIC 0.1uF 50V	(AEP,G,IT,UK,EE)
C261	1-126-967-11	ELECT 47uF 20% 16V	(AEP,G,IT,UK,EE)
C301	1-130-479-00	MYLAR 0.0047uF 5% 50V	
C302	1-162-290-31	CERAMIC 470PF 10% 50V	
C303	1-164-159-11	CERAMIC 0.1uF 50V	
C305	1-124-903-11	ELECT 1uF 20% 50V	
C306	1-124-902-00	ELECT 0.47uF 20% 50V	
C307	1-126-964-11	ELECT 10uF 20% 50V	
C308	1-126-964-11	ELECT 10uF 20% 50V	
C309	1-124-903-11	ELECT 1uF 20% 50V	
C310	1-126-933-11	ELECT 100uF 20% 10V	
C351	1-130-479-00	MYLAR 0.0047uF 5% 50V	
C352	1-162-290-31	CERAMIC 470PF 10% 50V	
C353	1-164-159-11	CERAMIC 0.1uF 50V	
C355	1-124-903-11	ELECT 1uF 20% 50V	
C356	1-124-902-00	ELECT 0.47uF 20% 50V	
C357	1-126-964-11	ELECT 10uF 20% 50V	
C358	1-126-964-11	ELECT 10uF 20% 50V	
C359	1-124-903-11	ELECT 1uF 20% 50V	
C360	1-126-933-11	ELECT 100uF 20% 10V	
C401	1-164-159-11	CERAMIC 0.1uF 50V	
C402	1-164-159-11	CERAMIC 0.1uF 50V	
C403	1-164-159-11	CERAMIC 0.1uF 50V	
C404	1-126-933-11	ELECT 100uF 20% 16V	
C405	1-126-935-11	ELECT 470uF 20% 16V	
C701	1-162-306-11	CERAMIC 0.01uF 30% 16V	

MAIN

Ref. No.	Part No.	Description	Remark
C702	1-126-916-11	ELECT	1000uF 20% 6.3V
C703	1-126-964-11	ELECT	10uF 20% 50V
C704	1-136-165-00	FILM	0.1uF 5% 50V
C705	1-136-165-00	FILM	0.1uF 5% 50V
C706	1-126-964-11	ELECT	10uF 20% 50V
C707	1-162-203-31	CERAMIC	15PF 5% 50V
C708	1-162-203-31	CERAMIC	15PF 5% 50V
C710	1-162-306-11	CERAMIC	0.01uF 30% 16V
C713	1-162-306-11	CERAMIC	0.01uF 30% 16V
C714	1-162-306-11	CERAMIC	0.01uF 30% 16V
C810	1-162-306-11	CERAMIC	0.01uF 30% 16V
C811	1-162-306-11	CERAMIC	0.01uF 30% 16V
C821	1-162-286-31	CERAMIC	220PF 10% 50V
C822	1-162-286-31	CERAMIC	220PF 10% 50V
C825	1-109-889-11	ELECT	1uF 20% 50V
C832	1-130-473-00	MYLAR	0.0015uF 5% 50V
C833	1-124-903-11	ELECT	1uF 20% 50V
C834	1-130-479-00	MYLAR	0.0047uF 5% 50V
C835	1-124-903-11	ELECT	1uF 20% 50V
C836	1-136-495-11	FILM	0.068uF 5% 50V
C837	1-104-664-11	ELECT	47uF 20% 25V
C838	1-124-902-00	ELECT	0.47uF 20% 50V
C839	1-124-902-00	ELECT	0.47uF 20% 50V
C840	1-162-305-11	CERAMIC	0.0068uF 30% 16V
C841	1-136-495-11	FILM	0.068uF 5% 50V
C842	1-162-600-11	CERAMIC	0.0047uF 30% 16V
C843	1-130-473-00	MYLAR	0.0015uF 5% 50V
C844	1-124-903-11	ELECT	1uF 20% 50V
C845	1-161-494-00	CERAMIC	0.022uF 25V
C846	1-126-933-11	ELECT	100uF 20% 10V
C847	1-162-306-11	CERAMIC	0.01uF 30% 16V
C848	1-162-290-31	CERAMIC	470PF 10% 50V
C849	1-162-290-31	CERAMIC	470PF 10% 50V
C860	1-162-306-11	CERAMIC	0.01uF 30% 16V
C861	1-162-306-11	CERAMIC	0.01uF 30% 16V
C862	1-126-964-11	ELECT	10uF 20% 50V
C863	1-162-306-11	CERAMIC	0.01uF 30% 16V
C864	1-126-964-11	ELECT	10uF 20% 50V
C865	1-162-306-11	CERAMIC	0.01uF 30% 16V
C871	1-162-286-31	CERAMIC	220PF 10% 50V
C872	1-162-286-31	CERAMIC	220PF 10% 50V
C900	1-126-964-11	ELECT	10uF 20% 50V
C901	1-124-464-11	ELECT	0.22uF 20% 50V
C902	1-124-464-11	ELECT	0.22uF 20% 50V
C903	1-136-495-11	FILM	0.068uF 5% 50V
C904	1-136-495-11	FILM	0.068uF 5% 50V
C905	1-136-156-00	FILM	0.018uF 5% 50V
C906	1-136-156-00	FILM	0.018uF 5% 50V
C907	1-130-480-00	MYLAR	0.0056uF 5% 50V
C908	1-130-479-00	MYLAR	0.0047uF 5% 50V
C909	1-130-474-00	MYLAR	0.0018uF 5% 50V

Ref. No.	Part No.	Description	Remark
C910	1-126-964-11	ELECT	10uF 20% 50V
C911	1-126-964-11	ELECT	10uF 20% 50V
C912	1-136-167-00	FILM	0.15uF 5% 50V
C913	1-136-167-00	FILM	0.15uF 5% 50V
C914	1-126-964-11	ELECT	10uF 20% 50V
C915	1-136-153-00	FILM	0.01uF 5% 50V
C930	1-136-167-00	FILM	0.15uF 5% 50V
C931	1-162-294-31	CERAMIC	0.001uF 10% 50V
C933	1-124-902-00	ELECT	0.47uF 20% 50V
C935	1-164-159-11	CERAMIC	0.1uF 50% 50V
C936	1-126-964-11	ELECT	10uF 20% 50V
C938	1-162-282-31	CERAMIC	100PF 10% 50V
C943	1-126-964-11	ELECT	10uF 20% 50V
C944	1-126-964-11	ELECT	10uF 20% 50V
C950	1-126-964-11	ELECT	10uF 20% 50V
C951	1-124-464-11	ELECT	0.22uF 20% 50V
C952	1-124-464-11	ELECT	0.22uF 20% 50V
C953	1-136-495-11	FILM	0.068uF 5% 50V
C954	1-136-495-11	FILM	0.068uF 5% 50V
C955	1-136-156-00	FILM	0.018uF 5% 50V
C956	1-136-156-00	FILM	0.018uF 5% 50V
C957	1-130-480-00	MYLAR	0.0056uF 5% 50V
C958	1-130-479-00	MYLAR	0.0047uF 5% 50V
C959	1-130-474-00	MYLAR	0.0018uF 5% 50V
C960	1-126-964-11	ELECT	10uF 20% 50V
C961	1-126-964-11	ELECT	10uF 20% 50V
C962	1-136-167-00	FILM	0.15uF 5% 50V
C963	1-136-167-00	FILM	0.15uF 5% 50V
C964	1-126-964-11	ELECT	10uF 20% 50V
C965	1-136-153-00	FILM	0.01uF 5% 50V
C1001	1-126-937-11	ELECT	4700uF 20% 16V
C1002	1-126-943-11	ELECT	2200uF 20% 25V
C1004	1-126-916-11	ELECT	1000uF 20% 6.3V
C1005	1-126-964-11	ELECT	10uF 20% 50V
C1006	1-126-925-11	ELECT	470uF 20% 10V
C1007	1-126-934-11	ELECT	220uF 20% 16V
C1008	1-126-933-11	ELECT	100uF 20% 16V
C1009	1-162-294-31	CERAMIC	0.001uF 10% 50V
C1010	1-164-159-11	CERAMIC	0.1uF 50% 50V
C1011	1-164-159-11	CERAMIC	0.1uF 50% 50V
C1012	1-126-964-11	ELECT	10uF 20% 50V
C1013	1-126-916-11	ELECT	1000uF 20% 6.3V
C1014	1-126-964-11	ELECT	10uF 20% 50V
C1015	1-126-964-11	ELECT	10uF 20% 50V
C1016	1-126-925-11	ELECT	470uF 20% 10V
C1017	1-126-925-11	ELECT	470uF 20% 10V
C1018	1-126-942-61	ELECT	1000uF 20% 25V
C1020	1-126-947-11	ELECT	47uF 20% 35V
C1021	1-162-294-31	CERAMIC	0.001uF 10% 50V
C1022	1-126-969-11	ELECT	220uF 20% 50V
C1023	1-126-969-11	ELECT	220uF 20% 50V
C1024	1-126-964-11	ELECT	10uF 20% 50V

Ref. No.	Part No.	Description	Remark
C1025	1-126-964-11	ELECT	10uF 20% 50V
C1026	1-126-964-11	ELECT	10uF 20% 50V
C1027	1-126-964-11	ELECT	10uF 20% 50V
C1028	1-126-933-11	ELECT	100uF 20% 16V
C1290	1-126-963-11	ELECT	4.7uF 20% 50V (EXCEPT AEP,G,IT,UK,CIS,EE)
C1291	1-164-159-11	CERAMIC	0.1uF 50% 50V (EXCEPT AEP,G,IT,UK,CIS,EE)
< CONNECTOR >			
CN201	1-770-067-11	CONNECTOR, FFC/FPC	19P
* CN202	1-568-936-11	PIN, CONNECTOR	9P (TH,IA)
* CN203	1-568-935-11	PIN, CONNECTOR	8P (TH,IA)
* CN250	1-568-834-11	SOCKET, CONNECTOR	15P (EXCEPT US,CND,E2,AUS,AR,MX)
* CN250	1-568-832-11	SOCKET, CONNECTOR	13P (US,CND,E2,AUS,AR,MX)
CN401	1-568-838-11	SOCKET, CONNECTOR	21P
* CN402	1-568-830-11	SOCKET, CONNECTOR	11P
* CN404	1-568-449-11	HOUSING, CONNECTOR	(PC BOARD)3P
* CN701	1-568-832-11	SOCKET, CONNECTOR	13P
* CN1001	1-770-734-11	CONNECTOR, BOARD TO BOARD	20P
CN1204	1-564-505-11	PLUG, CONNECTOR	2P (EXCEPT AEP,G,IT,UK,CIS,EE)
< DIODE >			
D201	8-719-987-63	DIODE	1N4148M
D202	8-719-987-63	DIODE	1N4148M
D251	8-719-987-63	DIODE	1N4148M-TP (AEP,G,IT,UK,EE)
D401	8-719-933-54	DIODE	HZS9A2L
D701	8-719-987-63	DIODE	1N4148M
D702	8-719-987-63	DIODE	1N4148M
D703	8-719-987-63	DIODE	1N4148M
D704	8-719-987-63	DIODE	1N4148M
D705	8-719-987-63	DIODE	1N4148M
D706	8-719-200-82	DIODE	11ES2-NTA1B (IA)
D706	8-719-024-99	DIODE	11ES2-NTA2B (EXCEPT IA)
D707	8-719-987-63	DIODE	1N4148M
D801	8-719-987-63	DIODE	1N4148M
D802	8-719-987-63	DIODE	1N4148M
D901	8-719-987-63	DIODE	1N4148M
D902	8-719-987-63	DIODE	1N4148M
D1001	8-719-200-82	DIODE	11ES2-NTA1B (IA)
D1001	8-719-024-99	DIODE	11ES2-NTA2B (EXCEPT IA)
D1002	8-719-200-82	DIODE	11ES2-NTA1B (IA)
D1002	8-719-024-99	DIODE	11ES2-NTA2B (EXCEPT IA)
D1003	8-719-200-82	DIODE	11ES2-NTA1B (IA)
D1003	8-719-024-99	DIODE	11ES2-NTA2B (EXCEPT IA)
D1004	8-719-200-82	DIODE	11ES2-NTA1B (IA)
D1004	8-719-024-99	DIODE	11ES2-NTA2B (EXCEPT IA)
D1005	8-719-200-82	DIODE	11ES2-NTA1B (IA)
D1005	8-719-024-99	DIODE	11ES2-NTA2B (EXCEPT IA)
D1006	8-719-200-82	DIODE	11ES2-NTA1B (IA)

Ref. No.	Part No.	Description	Remark
D1006	8-719-024-99	DIODE	11ES2-NTA2B (EXCEPT IA)
D1007	8-719-987-63	DIODE	1N4148M
D1008	8-719-001-43	DIODE	UZL-11M1-TA (IA)
D1008	8-719-001-42	DIODE	UZL-11M1 (EXCEPT IA)
D1009	8-719-987-63	DIODE	1N4148M
D1010	8-719-987-63	DIODE	1N4148M
D1011	8-719-010-43	DIODE	UZ-5.6BSC
D1012	8-719-934-22	DIODE	UZL-30M-TP (EXCEPT IA)
D1012	8-719-011-05	DIODE	UZ-27BS-TA (IA)
D1013	8-719-200-82	DIODE	11ES2-NTA1B (IA)
D1013	8-719-024-99	DIODE	11ES2-NTA2B (EXCEPT IA)
D1014	8-719-200-82	DIODE	11ES2-NTA1B (IA)
D1014	8-719-024-99	DIODE	11ES2-NTA2B (EXCEPT IA)
D1015	8-719-987-63	DIODE	1N4148M
D1016	8-719-200-82	DIODE	11ES2-NTA1B (IA)
D1016	8-719-024-99	DIODE	11ES2-NTA2B (EXCEPT IA)
D1017	8-719-200-82	DIODE	11ES2-NTA1B (IA)
D1017	8-719-024-99	DIODE	11ES2-NTA2B (EXCEPT IA)
D1018	8-719-200-82	DIODE	11ES2-NTA1B (IA)
D1018	8-719-024-99	DIODE	11ES2-NTA2B (EXCEPT IA)
D1021	8-719-200-82	DIODE	11ES2-NTA1B (IA)
D1021	8-719-024-99	DIODE	11ES2-NTA2B (EXCEPT IA)
D1022	8-719-200-82	DIODE	11ES2-NTA1B (IA)
D1022	8-719-024-99	DIODE	11ES2-NTA2B (EXCEPT IA)
D1023	8-719-210-21	DIODE	11EQS04
D1024	8-719-210-21	DIODE	11EQS04
D1025	8-719-210-21	DIODE	11EQS04
< TERMINAL BOARD >			
EPT1001	1-537-770-21	TERMINAL BOARD, GROUND	
< IC >			
IC201	8-749-923-04	IC	TOTX178
IC250	8-759-169-99	IC	SAA6579 (AEP,G,IT,UK,EE)
IC251	8-759-634-51	IC	NJM4558D (AEP,G,IT,UK,EE)
IC401	8-759-289-38	IC	HA12195NT
IC402	8-759-822-09	IC	LB1641
IC701	8-759-375-44	IC	TMP87CS64YF-6361
IC702	8-759-165-80	IC	PST600C-T
IC802	8-759-000-48	IC	MC14052BCP
IC806	8-759-265-83	IC	M65843FP
IC807	8-759-140-53	IC	uPD4053BC
IC808	8-759-634-51	IC	M5218AP
IC901	8-759-331-39	IC	M62427FP
IC902	8-759-634-51	IC	M5218AP
IC1001	8-759-231-53	IC	TA7805S
IC1002	8-759-604-86	IC	M5F7807L
IC1003	8-759-604-86	IC	M5F7807L
IC1004	8-759-604-90	IC	M5F7907L

MAIN

Ref. No.	Part No.	Description	Remark
		< JACK >	
J801	1-695-188-31	JACK, PIN 4P (VIDEO,MD/AUDIO IN/OUT)	
		< COIL >	
L250	1-410-521-11	INDUCTOR 100uH (AEP,G,IT,UK,EE)	
L840	1-410-521-11	INDUCTOR 100uH	
		< TRANSISTOR >	
Q301	8-729-119-78	TRANSISTOR 2SC2785-HFE	
Q351	8-729-119-78	TRANSISTOR 2SC2785-HFE	
Q401	8-729-119-78	TRANSISTOR 2SC2785-HFE	
Q402	8-729-900-65	TRANSISTOR DTA144ES	
Q403	8-729-801-93	TRANSISTOR 2SD1387	
Q406	8-729-900-80	TRANSISTOR DTC114ES	
Q407	8-729-422-57	TRANSISTOR UN4111	
Q408	8-729-119-76	TRANSISTOR 2SA1175-HFE	
Q409	8-729-900-80	TRANSISTOR DTC114ES	
Q410	8-729-900-65	TRANSISTOR DTA144ES	
Q411	8-729-900-65	TRANSISTOR DTA144ES	
Q412	8-729-900-65	TRANSISTOR DTA144ES	
Q701	8-729-119-78	TRANSISTOR 2SC2785-HFE	
Q801	8-729-119-78	TRANSISTOR 2SC2785-HFE	
Q802	8-729-422-57	TRANSISTOR UN4111	
Q803	8-729-119-78	TRANSISTOR 2SC2785-HFE	
Q804	8-729-422-57	TRANSISTOR UN4111	
Q805	8-729-119-78	TRANSISTOR 2SC2785-HFE	
Q806	8-729-422-57	TRANSISTOR UN4111	
Q807	8-729-900-80	TRANSISTOR DTC114ES	
Q808	8-729-119-76	TRANSISTOR 2SA1175-HFE	
Q809	8-729-119-76	TRANSISTOR 2SA1175-HFE	
Q820	8-729-422-57	TRANSISTOR UN4111	
Q901	8-729-119-78	TRANSISTOR 2SC2785-HFE	
Q902	8-729-119-78	TRANSISTOR 2SC2785-HFE	
Q951	8-729-119-78	TRANSISTOR 2SC2785-HFE	
Q952	8-729-119-78	TRANSISTOR 2SC2785-HFE	
Q953	8-729-141-26	TRANSISTOR 2SC3622A-LK	
Q954	8-729-141-26	TRANSISTOR 2SC3622A-LK	
Q1001	8-729-118-01	TRANSISTOR 2SB1116-K	
Q1002	8-729-900-36	TRANSISTOR DTC124ES	
Q1003	8-729-030-18	TRANSISTOR 2SD2525	
Q1006	8-729-030-19	TRANSISTOR 2SB1640	
Q1290	8-729-119-76	TRANSISTOR 2SA1175-HFE	
Q1291	8-729-111-29	TRANSISTOR 2SD1616A-K (EXCEPT AEP,G,IT,UK,CIS,EE)	
		< RESISTOR >	
R201	1-249-415-11	CARBON 680	5% 1/4W
R202	1-249-435-11	CARBON 33K	5% 1/4W
R211	1-249-415-11	CARBON 680	5% 1/4W
R212	1-249-435-11	CARBON 33K	5% 1/4W
R220	1-247-807-31	CARBON 100	5% 1/4W

Ref. No.	Part No.	Description	Remark
R221	1-247-807-31	CARBON 100	5% 1/4W
R222	1-247-807-31	CARBON 100	5% 1/4W
R223	1-247-807-31	CARBON 100	5% 1/4W
R224	1-247-807-31	CARBON 100	5% 1/4W
R250	1-249-421-11	CARBON 2.2K	5% 1/4W (AEP,G,IT,UK,EE)
R251	1-249-401-11	CARBON 47	5% 1/4W (AEP,G,IT,UK,EE)
R252	1-249-441-11	CARBON 100K	5% 1/4W (AEP,G,IT,UK,EE)
R253	1-249-441-11	CARBON 100K	5% 1/4W (AEP,G,IT,UK,EE)
R254	1-249-426-11	CARBON 5.6K	5% 1/4W (AEP,G,IT,UK,EE)
R255	1-249-429-11	CARBON 10K	5% 1/4W (AEP,G,IT,UK,EE)
R256	1-247-807-31	CARBON 100	5% 1/4W (AEP,G,IT,UK,EE)
R301	1-249-430-11	CARBON 12K	5% 1/4W
R302	1-249-431-11	CARBON 15K	5% 1/4W
R303	1-249-432-11	CARBON 18K	5% 1/4W
R304	1-249-428-11	CARBON 8.2K	5% 1/4W
R305	1-249-425-11	CARBON 4.7K	5% 1/4W
R306	1-247-840-00	CARBON 2.4K	5% 1/4W
R307	1-249-433-11	CARBON 22K	5% 1/4W
R308	1-249-421-11	CARBON 2.2K	5% 1/4W
R309	1-249-428-11	CARBON 8.2K	5% 1/4W
R310	1-249-417-11	CARBON 1K	5% 1/4W
R351	1-249-430-11	CARBON 12K	5% 1/4W
R352	1-249-431-11	CARBON 15K	5% 1/4W
R354	1-249-428-11	CARBON 8.2K	5% 1/4W
R355	1-249-425-11	CARBON 4.7K	5% 1/4W
R356	1-247-840-00	CARBON 2.4K	5% 1/4W
R357	1-249-433-11	CARBON 22K	5% 1/4W
R358	1-249-421-11	CARBON 2.2K	5% 1/4W
R359	1-249-428-11	CARBON 8.2K	5% 1/4W
R360	1-249-417-11	CARBON 1K	5% 1/4W
R401	1-249-425-11	CARBON 4.7K	5% 1/4W
R402	1-249-425-11	CARBON 4.7K	5% 1/4W
R403	1-249-425-11	CARBON 4.7K	5% 1/4W
R404	1-249-417-11	CARBON 1K	5% 1/4W
R405	1-249-437-11	CARBON 47K	5% 1/4W
R406	1-249-437-11	CARBON 47K	5% 1/4W
R407	1-249-437-11	CARBON 47K	5% 1/4W
R408	1-249-437-11	CARBON 47K	5% 1/4W
R409	1-249-429-11	CARBON 10K	5% 1/4W
R410	1-247-882-11	CARBON 130K	5% 1/4W
R411	1-247-866-11	CARBON 30K	5% 1/4W
R412	1-249-429-11	CARBON 10K	5% 1/4W
R413	1-247-864-11	CARBON 24K	5% 1/4W
R414	1-249-429-11	CARBON 10K	5% 1/4W
R415	1-249-429-11	CARBON 10K	5% 1/4W
R416	1-249-429-11	CARBON 10K	5% 1/4W
R417	1-249-429-11	CARBON 10K	5% 1/4W
R418	1-249-429-11	CARBON 10K	5% 1/4W

Ref. No.	Part No.	Description	Remark	Ref. No.	Part No.	Description	Remark
R419	1-249-429-11	CARBON	10K 5% 1/4W	R740	1-249-423-11	CARBON	3.3K 5% 1/4W (AUS)
R420	1-249-429-11	CARBON	10K 5% 1/4W	R740	1-249-435-11	CARBON	33K 5% 1/4W (EE)
R421	1-249-429-11	CARBON	10K 5% 1/4W	R741	1-249-423-11	CARBON	3.3K 5% 1/4W (AEP,G,IT,UK)
R454	1-249-433-11	CARBON	22K 5% 1/4W	R741	1-249-425-11	CARBON	4.7K 5% 1/4W (AR,MX,E2,H881D:US,CND)
R455	1-249-433-11	CARBON	22K 5% 1/4W	R741	1-249-429-11	CARBON	10K 5% 1/4W (AUS)
R456	1-249-411-11	CARBON	330 5% 1/4W	R741	1-249-431-11	CARBON	15K 5% 1/4W (JE)
R457	1-249-427-11	CARBON	6.8K 5% 1/4W	R741	1-249-421-11	CARBON	2.2K 5% 1/4W (CIS)
R458	1-249-429-11	CARBON	10K 5% 1/4W	R741	1-249-427-11	CARBON	6.8K 5% 1/4W (EE)
R461	1-249-417-11	CARBON	1K 5% 1/4W	R742	1-249-413-11	CARBON	470 5% 1/4W
R701	1-249-429-11	CARBON	10K 5% 1/4W	R743	1-247-807-31	CARBON	100 5% 1/4W
R702	1-249-437-11	CARBON	47K 5% 1/4W	R744	1-247-807-31	CARBON	100 5% 1/4W
R703	1-249-437-11	CARBON	47K 5% 1/4W	R745	1-247-807-31	CARBON	100 5% 1/4W
R704	1-249-429-11	CARBON	10K 5% 1/4W	R753	1-247-807-31	CARBON	100 5% 1/4W
R705	1-249-429-11	CARBON	10K 5% 1/4W	R755	1-247-807-31	CARBON	100 5% 1/4W
R706	1-249-429-11	CARBON	10K 5% 1/4W	R757	1-247-807-31	CARBON	100 5% 1/4W
R708	1-249-429-11	CARBON	10K 5% 1/4W	R758	1-247-807-31	CARBON	100 5% 1/4W
R709	1-249-441-11	CARBON	100K 5% 1/4W	R759	1-247-807-31	CARBON	100 5% 1/4W
R710	1-249-429-11	CARBON	10K 5% 1/4W	R760	1-247-807-31	CARBON	100 5% 1/4W
R712	1-249-429-11	CARBON	10K 5% 1/4W	R761	1-247-807-31	CARBON	100 5% 1/4W
R713	1-249-429-11	CARBON	10K 5% 1/4W	R762	1-249-429-11	CARBON	10K 5% 1/4W
R714	1-249-429-11	CARBON	10K 5% 1/4W	R763	1-249-429-11	CARBON	10K 5% 1/4W
R715	1-249-429-11	CARBON	10K 5% 1/4W	R764	1-247-807-31	CARBON	100 5% 1/4W
R716	1-247-807-31	CARBON	100 5% 1/4W	R769	1-249-417-11	CARBON	1K 5% 1/4W
R717	1-247-807-31	CARBON	100 5% 1/4W	R771	1-247-807-31	CARBON	100 5% 1/4W
R718	1-247-807-31	CARBON	100 5% 1/4W	R772	1-247-807-31	CARBON	100 5% 1/4W
R719	1-247-807-31	CARBON	100 5% 1/4W	R773	1-247-807-31	CARBON	100 5% 1/4W
R720	1-247-807-31	CARBON	100 5% 1/4W	R774	1-247-807-31	CARBON	100 5% 1/4W
R721	1-247-807-31	CARBON	100 5% 1/4W	R775	1-247-807-31	CARBON	100 5% 1/4W
R722	1-247-807-31	CARBON	100 5% 1/4W (AEP,G,IT,UK,EE)	R777	1-249-429-11	CARBON	10K 5% 1/4W
R723	1-247-807-31	CARBON	100 5% 1/4W (AEP,G,IT,UK,EE)	R778	1-249-429-11	CARBON	10K 5% 1/4W
R724	1-247-807-31	CARBON	100 5% 1/4W	R810	1-249-417-11	CARBON	1K 5% 1/4W
R725	1-247-807-31	CARBON	100 5% 1/4W	R811	1-249-417-11	CARBON	1K 5% 1/4W
R726	1-247-807-31	CARBON	100 5% 1/4W	R821	1-249-423-11	CARBON	3.3K 5% 1/4W
R727	1-247-807-31	CARBON	100 5% 1/4W	R822	1-249-427-11	CARBON	6.8K 5% 1/4W
R728	1-247-807-31	CARBON	100 5% 1/4W	R823	1-249-417-11	CARBON	1K 5% 1/4W
R729	1-247-807-31	CARBON	100 5% 1/4W	R824	1-249-441-11	CARBON	100K 5% 1/4W
R730	1-247-807-31	CARBON	100 5% 1/4W	R825	1-247-887-00	CARBON	220K 5% 1/4W
R731	1-247-807-31	CARBON	100 5% 1/4W	R826	1-249-441-11	CARBON	100K 5% 1/4W
R732	1-247-807-31	CARBON	100 5% 1/4W	R827	1-249-429-11	CARBON	10K 5% 1/4W
R733	1-247-807-31	CARBON	100 5% 1/4W	R837	1-249-429-11	CARBON	10K 5% 1/4W
R734	1-247-807-31	CARBON	100 5% 1/4W	R838	1-249-431-11	CARBON	15K 5% 1/4W
R735	1-247-807-31	CARBON	100 5% 1/4W	R839	1-249-431-11	CARBON	15K 5% 1/4W
R736	1-247-807-31	CARBON	100 5% 1/4W	R840	1-249-399-11	CARBON	33 5% 1/4W
R737	1-247-807-31	CARBON	100 5% 1/4W	R841	1-249-421-11	CARBON	2.2K 5% 1/4W
R740	1-249-433-11	CARBON	22K 5% 1/4W (CIS)				
R740	1-249-429-11	CARBON	10K 5% 1/4W (AEP,UK)				
R740	1-249-427-11	CARBON	6.8K 5% 1/4W (G,IT,AR,MX,E2,H881D:US,CND)				
R740	1-249-415-11	CARBON	680 5% 1/4W (JE)				

MAIN

Ref. No.	Part No.	Description	Remark	Ref. No.	Part No.	Description	Remark
R842	1-249-433-11	CARBON	22K 5% 1/4W	R916	1-249-441-11	CARBON	100K 5% 1/4W
R843	1-249-431-11	CARBON	15K 5% 1/4W	R917	1-249-431-11	CARBON	15K 5% 1/4W
R844	1-249-431-11	CARBON	15K 5% 1/4W	R920	1-249-441-11	CARBON	100K 5% 1/4W
R845	1-249-429-11	CARBON	10K 5% 1/4W	R921	1-249-437-11	CARBON	47K 5% 1/4W
R846	1-249-431-11	CARBON	15K 5% 1/4W	R922	1-247-903-00	CARBON	1M 5% 1/4W
R847	1-249-417-11	CARBON	1K 5% 1/4W	R923	1-249-429-11	CARBON	10K 5% 1/4W
R848	1-247-903-00	CARBON	1M 5% 1/4W	R924	1-247-903-00	CARBON	1M 5% 1/4W
R849	1-249-427-11	CARBON	6.8K 5% 1/4W	R930	1-249-433-11	CARBON	22K 5% 1/4W
R860	1-249-437-11	CARBON	47K 5% 1/4W	R931	1-249-433-11	CARBON	22K 5% 1/4W
R861	1-249-431-11	CARBON	15K 5% 1/4W	R932	1-249-429-11	CARBON	10K 5% 1/4W
R862	1-249-427-11	CARBON	6.8K 5% 1/4W	R933	1-247-903-00	CARBON	1M 5% 1/4W
R863	1-247-887-00	CARBON	220K 5% 1/4W	R938	1-247-807-31	CARBON	100 5% 1/4W
R864	1-247-887-00	CARBON	220K 5% 1/4W	R939	1-247-807-31	CARBON	100 5% 1/4W
R865	1-247-887-00	CARBON	220K 5% 1/4W	R940	1-249-429-11	CARBON	10K 5% 1/4W
R866	1-249-441-11	CARBON	100K 5% 1/4W	R941	1-249-429-11	CARBON	10K 5% 1/4W
R867	1-249-441-11	CARBON	100K 5% 1/4W	R942	1-249-429-11	CARBON	10K 5% 1/4W
R868	1-249-441-11	CARBON	100K 5% 1/4W	R947	1-247-807-31	CARBON	100 5% 1/4W
R871	1-249-423-11	CARBON	3.3K 5% 1/4W	R951	1-249-425-11	CARBON	4.7K 5% 1/4W
R872	1-249-427-11	CARBON	6.8K 5% 1/4W	R952	1-249-429-11	CARBON	10K 5% 1/4W
R873	1-249-417-11	CARBON	1K 5% 1/4W	R953	1-249-437-11	CARBON	47K 5% 1/4W
R874	1-249-441-11	CARBON	100K 5% 1/4W	R955	1-249-441-11	CARBON	100K 5% 1/4W
R875	1-249-429-11	CARBON	10K 5% 1/4W	R956	1-247-903-00	CARBON	1M 5% 1/4W
R876	1-249-429-11	CARBON	10K 5% 1/4W	R957	1-249-441-11	CARBON	100K 5% 1/4W
R877	1-249-429-11	CARBON	10K 5% 1/4W	R958	1-249-429-11	CARBON	10K 5% 1/4W
R880	1-249-421-11	CARBON	2.2K 5% 1/4W	R959	1-249-417-11	CARBON	1K 5% 1/4W
R881	1-249-421-11	CARBON	2.2K 5% 1/4W	R960	1-249-429-11	CARBON	10K 5% 1/4W
R882	1-249-417-11	CARBON	1K 5% 1/4W	R961	1-249-421-11	CARBON	2.2K 5% 1/4W
R883	1-249-429-11	CARBON	10K 5% 1/4W	R962	1-249-441-11	CARBON	100K 5% 1/4W
R884	1-249-423-11	CARBON	3.3K 5% 1/4W	R963	1-249-429-11	CARBON	10K 5% 1/4W
R885	1-249-437-11	CARBON	47K 5% 1/4W	R964	1-249-437-11	CARBON	47K 5% 1/4W
R887	1-249-431-11	CARBON	15K 5% 1/4W	R965	1-249-441-11	CARBON	100K 5% 1/4W
R888	1-249-429-11	CARBON	10K 5% 1/4W	R966	1-249-441-11	CARBON	100K 5% 1/4W
R890	1-249-433-11	CARBON	22K 5% 1/4W	R967	1-249-431-11	CARBON	15K 5% 1/4W
R891	1-249-433-11	CARBON	22K 5% 1/4W	R973	1-249-429-11	CARBON	10K 5% 1/4W
R892	1-249-441-11	CARBON	100K 5% 1/4W	R974	1-247-903-00	CARBON	1M 5% 1/4W
R893	1-249-433-11	CARBON	22K 5% 1/4W	R1001	1-249-421-11	CARBON	2.2K 5% 1/4W
R894	1-249-417-11	CARBON	1K 5% 1/4W	R1002	1-249-409-11	CARBON	220 5% 1/4W
R895	1-249-433-11	CARBON	22K 5% 1/4W	R1003	1-249-417-11	CARBON	1K 5% 1/4W
R901	1-249-425-11	CARBON	4.7K 5% 1/4W	R1006	1-249-417-11	CARBON	1K 5% 1/4W
R902	1-249-429-11	CARBON	10K 5% 1/4W	R1020	1-249-409-11	CARBON	220 5% 1/4W
R903	1-249-437-11	CARBON	47K 5% 1/4W	R1021	1-249-409-11	CARBON	220 5% 1/4W
R905	1-249-441-11	CARBON	100K 5% 1/4W	R1022	1-249-421-11	CARBON	2.2K 5% 1/4W
R906	1-247-903-00	CARBON	1M 5% 1/4W	R1023	1-249-417-11	CARBON	1K 5% 1/4W
R907	1-249-441-11	CARBON	100K 5% 1/4W	R1296	1-249-425-11	CARBON	4.7K 5% 1/4W
R908	1-249-429-11	CARBON	10K 5% 1/4W	R1297	1-249-435-11	CARBON	(EXCEPT AEP,G,IT,UK,CIS,EE) 33K 5% 1/4W
R909	1-249-417-11	CARBON	1K 5% 1/4W	R1298	1-249-421-11	CARBON	(EXCEPT AEP,G,IT,UK,CIS,EE) 2.2K 5% 1/4W
R910	1-249-429-11	CARBON	10K 5% 1/4W				
R911	1-249-421-11	CARBON	2.2K 5% 1/4W				
R912	1-249-441-11	CARBON	100K 5% 1/4W				
R913	1-249-429-11	CARBON	10K 5% 1/4W				
R914	1-249-437-11	CARBON	47K 5% 1/4W				
R915	1-249-441-11	CARBON	100K 5% 1/4W				

MAIN

MOTOR (SLIDE)

MOTOR (TURN)

PANEL

Ref. No.	Part No.	Description	Remark
		< VARIABLE RESISTOR >	
RV301	1-241-630-11	RES, ADJ, CARBON 10K (REC LEVEL L)	
RV351	1-241-630-11	RES, ADJ, CARBON 10K (REC LEVEL R)	
		< VIBRATOR >	
X81	1-579-900-11	VIBRATOR, CRYSTAL (4.332MHz)	(AEP,G,IT,UK,EE)
X701	1-579-175-11	VIBRATOR, CERAMIC (10MHz)	
X701	1-760-904-21	VIBRATOR, CERAMIC (10MHz)	
X702	1-567-098-41	VIBRATOR, CRYSTAL (32kHz)	
X801	1-527-978-00	OSCILLATOR, CERAMIC (320kHz)	

*	1-658-578-12	MOTOR (SLIDE) BOARD	*****
		< CAPACITOR >	
C801	1-162-306-11	CERAMIC	0.01uF 30% 16V
C804	1-162-306-11	CERAMIC	0.01uF 30% 16V
C805	1-126-964-11	ELECT	10uF 20% 50V
		< CONNECTOR >	
* CN801	1-568-947-11	PIN, CONNECTOR 9P	
		< DIODE >	
D801	8-719-010-43	DIODE UZ-5.6BSC-TP	
		< IC >	
IC801	8-759-274-09	IC BA6286N	
		< RESISTOR >	
R801	1-249-401-11	CARBON	47 5% 1/4W
		< SWITCH >	
S801	1-762-527-11	SWITCH, ROTARY (OPEN SW)	

*	1-658-577-11	MOTOR (TURN) BOARD	*****
		< CAPACITOR >	
C701	1-162-306-11	CERAMIC	0.01uF 30% 16V
C702	1-126-964-11	ELECT	10uF 20% 50V
C705	1-162-306-11	CERAMIC	0.01uF 30% 16V
		< CONNECTOR >	
CN703	1-750-413-11	CONNECTOR, FFC/FPC 8P	
CN704	1-506-469-11	PIN, CONNECTOR 4P	
		< DIODE >	
D701	8-719-010-23	DIODE UZ-3.6BSB-TP	

Ref. No.	Part No.	Description	Remark
		< IC >	
IC701	8-759-633-65	IC M54641L	
		< RESISTOR >	
R706	1-249-411-11	CARBON	330 5% 1/4W

*	A-4389-026-A	PANEL BOARD, COMPLETE (AR,AUS,MX,E2,EE,TH)	
*	A-4389-024-A	PANEL BOARD, COMPLETE (US,CND)	
*	A-4389-025-A	PANEL BOARD, COMPLETE (AEP,G,IT,UK)	
*	A-4389-027-A	PANEL BOARD, COMPLETE (EA,E3,HK,JE,MY,SP,CIS,TW)	

*	4-932-810-11	CUSHION (FL)	
*	4-971-014-11	HOLDER, FL TUBE	
		< CAPACITOR >	
C500	1-162-306-11	CERAMIC	0.01uF 30% 16V
C501	1-126-154-11	ELECT	47uF 20% 6.3V
C502	1-162-282-31	CERAMIC	100PF 10% 50V
C504	1-162-294-31	CERAMIC	0.001uF 10% 50V
C505	1-126-154-11	ELECT	47uF 20% 6.3V
C506	1-126-160-11	ELECT	1uF 20% 50V
C507	1-162-294-31	CERAMIC	0.001uF 10% 50V
C508	1-126-160-11	ELECT	1uF 20% 50V
C509	1-162-294-31	CERAMIC	0.001uF 10% 50V
C510	1-162-282-31	CERAMIC	100PF 10% 50V
C511	1-162-282-31	CERAMIC	100PF 10% 50V
C512	1-162-282-31	CERAMIC	100PF 10% 50V
C513	1-162-282-31	CERAMIC	100PF 10% 50V
C514	1-162-282-31	CERAMIC	100PF 10% 50V
C515	1-162-282-31	CERAMIC	100PF 10% 50V
C516	1-162-282-31	CERAMIC	100PF 10% 50V
C517	1-162-282-31	CERAMIC	100PF 10% 50V
C518	1-162-282-31	CERAMIC	100PF 10% 50V
C519	1-162-282-31	CERAMIC	100PF 10% 50V
C520	1-162-282-31	CERAMIC	100PF 10% 50V
C521	1-162-282-31	CERAMIC	100PF 10% 50V
C522	1-162-282-31	CERAMIC	100PF 10% 50V
C523	1-162-282-31	CERAMIC	100PF 10% 50V
C524	1-162-306-11	CERAMIC	0.01uF 30% 16V
C525	1-162-306-11	CERAMIC	0.01uF 30% 16V
C526	1-162-306-11	CERAMIC	0.01uF 30% 16V
C527	1-162-306-11	CERAMIC	0.01uF 30% 16V
C530	1-126-160-11	ELECT	1uF 20% 50V
C531	1-136-161-00	FILM	0.047uF 5% 50V
C532	1-124-464-11	ELECT	0.22uF 20% 50V
C533	1-124-464-11	ELECT	0.22uF 20% 50V
C534	1-162-306-11	CERAMIC	0.01uF 30% 16V
C535	1-124-464-11	ELECT	0.22uF 20% 50V
C536	1-136-159-00	FILM	0.033uF 5% 50V

PANEL

Ref. No.	Part No.	Description	Remark
C537	1-162-302-11	CERAMIC	0.0022uF 30% 16V
C538	1-124-464-11	ELECT	0.22uF 20% 50V
C539	1-162-288-31	CERAMIC	330PF 10% 50V
C540	1-124-464-11	ELECT	0.22uF 20% 50V
C641	1-126-163-11	ELECT	4.7uF 20% 50V
< CONNECTOR >			
* CN500	1-568-856-11	SOCKET, CONNECTOR 13P	
* CN502	1-568-947-11	PIN, CONNECTOR 9P	
* CN503	1-568-946-11	PIN, CONNECTOR 8P	
< DIODE >			
D500	8-719-058-03	LED	SEL5423E-TP15 (TUNER/BAND)
D501	8-719-033-06	LED	SEL5920A (CLIP C)
D502	8-719-033-06	LED	SEL5920A (DSP)
D502A	8-719-033-06	LED	SEL5920A (DSP)
D503	8-719-033-06	LED	SEL5920A (CLIP B)
D504	8-719-033-06	LED	SEL5920A (DIGITAL ECHO)
D504A	8-719-033-06	LED	SEL5920A (DIGITAL ECHO)
D505	8-719-033-06	LED	SEL5920A (CLIP A)
D506	8-719-058-17	LED	LNJ401NPYTJA (GROOVE)
D507	8-719-057-09	LED	LNJ801LPDJA (EFFECT ON/OFF)
D529	8-719-033-06	LED	SEL5920A (CD)
D531	8-719-033-06	LED	SEL5920A (1/ALL DISCS)
D533	8-719-033-06	LED	SEL5920A (PLAY MODE)
D535	8-719-033-06	LED	SEL5920A (REPEAT)
D537	8-719-033-06	LED	SEL5920A (EDIT)
D539	8-719-033-06	LED	SEL5920A (TUNER)
D541	8-719-033-06	LED	SEL5920A (TUNING MODE)
D543	8-719-033-06	LED	SEL5920A (TUNER MEMORY)
D545	8-719-033-06	LED	SEL5920A (STEREO MONO)
D547	8-719-033-06	LED	SEL5920A (PTY)
D549	8-719-033-06	LED	SEL5920A (TIMER)
D551	8-719-033-06	LED	SEL5920A (CLOCK SET)
D553	8-719-033-06	LED	SEL5920A (⊖ SET)
D555	8-719-033-06	LED	SEL5920A (⊖ SELECT)
D557	8-719-033-06	LED	SEL5920A (SLEEP)
D559	8-719-987-63	DIODE	1N4148M
D560	8-719-987-63	DIODE	1N4148M
D561	8-719-987-63	DIODE	1N4148M
D562	8-719-987-63	DIODE	1N4148M
D563	8-719-987-63	DIODE	1N4148M
< INDICATOR TUBE >			
FL501	1-517-483-11	INDICATOR TUBE, FLUORESCENT	
< IC >			
IC500	8-759-375-43	IC	ASD0204-012-3BA
IC501	8-759-332-18	IC	GP1U27XB

Ref. No.	Part No.	Description	Remark
< TRANSISTOR >			
Q500	8-729-119-78	TRANSISTOR	2SC2785-HFE
Q501	8-729-118-00	TRANSISTOR	2SB1116-L
Q502	8-729-118-00	TRANSISTOR	2SB1116-L
Q503	8-729-119-76	TRANSISTOR	2SA1175-HFE
Q504	8-729-119-76	TRANSISTOR	2SA1175-HFE
Q505	8-729-119-76	TRANSISTOR	2SA1175-HFE
Q506	8-729-119-76	TRANSISTOR	2SA1175-HFE
Q514	8-729-119-76	TRANSISTOR	2SA1175-HFE
Q515	8-729-119-76	TRANSISTOR	2SA1175-HFE
Q516	8-729-119-76	TRANSISTOR	2SA1175-HFE
Q517	8-729-111-29	TRANSISTOR	2SD1616A-K
Q518	8-729-111-29	TRANSISTOR	2SD1616A-K
Q519	8-729-111-29	TRANSISTOR	2SD1616A-K
Q520	8-729-119-78	TRANSISTOR	2SC2785-HFE
< RESISTOR >			
R500	1-247-887-00	CARBON	220K 5% 1/4W
R501	1-247-903-00	CARBON	1M 5% 1/4W
R502	1-249-429-11	CARBON	10K 5% 1/4W
R503	1-249-429-11	CARBON	10K 5% 1/4W
R504	1-249-429-11	CARBON	10K 5% 1/4W
R505	1-249-429-11	CARBON	10K 5% 1/4W
R506	1-249-429-11	CARBON	10K 5% 1/4W
R507	1-249-429-11	CARBON	10K 5% 1/4W
R508	1-249-429-11	CARBON	10K 5% 1/4W
R510	1-247-807-31	CARBON	100 5% 1/4W
R511	1-247-807-31	CARBON	100 5% 1/4W
R512	1-247-807-31	CARBON	100 5% 1/4W
R513	1-247-807-31	CARBON	100 5% 1/4W
R514	1-247-807-31	CARBON	100 5% 1/4W
R515	1-247-807-31	CARBON	100 5% 1/4W
R516	1-249-441-11	CARBON	100K 5% 1/4W
R517	1-249-419-11	CARBON	1.5K 5% 1/4W
R526	1-249-415-11	CARBON	680 5% 1/4W
R527	1-249-417-11	CARBON	1K 5% 1/4W
R528	1-249-419-11	CARBON	1.5K 5% 1/4W
R529	1-249-421-11	CARBON	2.2K 5% 1/4W
R530	1-249-423-11	CARBON	3.3K 5% 1/4W
R531	1-249-427-11	CARBON	6.8K 5% 1/4W
R532	1-249-431-11	CARBON	15K 5% 1/4W
R533	1-249-419-11	CARBON	1.5K 5% 1/4W
R534	1-249-401-11	CARBON	47 5% 1/4W
R535	1-249-403-11	CARBON	68 5% 1/4W
R536	1-247-807-31	CARBON	100 5% 1/4W
R537	1-249-407-11	CARBON	150 5% 1/4W
R538	1-249-407-11	CARBON	150 5% 1/4W
R539	1-249-409-11	CARBON	220 5% 1/4W
R540	1-249-411-11	CARBON	330 5% 1/4W
R547	1-249-419-11	CARBON	1.5K 5% 1/4W
R548	1-249-401-11	CARBON	47 5% 1/4W
R549	1-249-403-11	CARBON	68 5% 1/4W

Ref. No.	Part No.	Description	Quantity	Remark
R550	1-247-807-31	CARBON	100	5% 1/4W
R551	1-249-407-11	CARBON	150	5% 1/4W
R552	1-249-407-11	CARBON	150	5% 1/4W
R563	1-249-419-11	CARBON	1.5K	5% 1/4W
R564	1-249-401-11	CARBON	47	5% 1/4W
R565	1-249-413-11	CARBON	470	5% 1/4W
R566	1-249-409-11	CARBON	220	5% 1/4W
R567	1-249-411-11	CARBON	330	5% 1/4W
R576	1-249-429-11	CARBON	10K	5% 1/4W
R577	1-249-421-11	CARBON	2.2K	5% 1/4W
R578	1-249-429-11	CARBON	10K	5% 1/4W
R579	1-249-421-11	CARBON	2.2K	5% 1/4W
R580	1-247-807-31	CARBON	100	5% 1/4W
R581	1-249-407-11	CARBON	150	5% 1/4W
R582	1-249-403-11	CARBON	68	5% 1/4W
R583	1-249-407-11	CARBON	150	5% 1/4W
R584	1-249-403-11	CARBON	68	5% 1/4W
R585	1-249-407-11	CARBON	150	5% 1/4W
R586	1-247-807-31	CARBON	100	5% 1/4W
R587	1-249-407-11	CARBON	150	5% 1/4W
R616	1-247-807-31	CARBON	100	5% 1/4W
R617	1-247-807-31	CARBON	100	5% 1/4W
R618	1-247-807-31	CARBON	100	5% 1/4W
R619	1-247-807-31	CARBON	100	5% 1/4W
R620	1-247-807-31	CARBON	100	5% 1/4W
R621	1-247-807-31	CARBON	100	5% 1/4W
R622	1-247-807-31	CARBON	100	5% 1/4W
R623	1-247-807-31	CARBON	100	5% 1/4W
R624	1-247-807-31	CARBON	100	5% 1/4W
R625	1-247-807-31	CARBON	100	5% 1/4W
R626	1-247-807-31	CARBON	100	5% 1/4W
R627	1-247-807-31	CARBON	100	5% 1/4W
R628	1-247-807-31	CARBON	100	5% 1/4W
R629	1-247-807-31	CARBON	100	5% 1/4W
R630	1-247-807-31	CARBON	100	5% 1/4W
R631	1-247-897-11	CARBON	560K	5% 1/4W
R632	1-247-897-11	CARBON	560K	5% 1/4W
R633	1-247-897-11	CARBON	560K	5% 1/4W
R634	1-247-897-11	CARBON	560K	5% 1/4W
R646	1-249-417-11	CARBON	1K	5% 1/4W
R647	1-249-417-11	CARBON	1K	5% 1/4W
R648	1-249-417-11	CARBON	1K	5% 1/4W
R649	1-249-401-11	CARBON	47	5% 1/4W
R650	1-249-429-11	CARBON	10K	5% 1/4W
R651	1-249-429-11	CARBON	10K	5% 1/4W
R652	1-249-429-11	CARBON	10K	5% 1/4W
R653	1-249-419-11	CARBON	1.5K	5% 1/4W
R654	1-249-437-11	CARBON	47K	5% 1/4W
R655	1-247-895-00	CARBON	470K	5% 1/4W
R656	1-249-419-11	CARBON	1.5K	5% 1/4W
R657	1-249-437-11	CARBON	47K	5% 1/4W
R658	1-247-895-00	CARBON	470K	5% 1/4W

Ref. No.	Part No.	Description	Quantity	Remark
R659	1-249-419-11	CARBON	1.5K	5% 1/4W
R660	1-249-437-11	CARBON	47K	5% 1/4W
R661	1-247-895-00	CARBON	470K	5% 1/4W
R662	1-249-437-11	CARBON	47K	5% 1/4W
R663	1-247-895-00	CARBON	470K	5% 1/4W
R665	1-249-441-11	CARBON	100K	5% 1/4W
R666	1-249-429-11	CARBON	10K	5% 1/4W
< SWITCH >				
S509	1-554-303-21	SWITCH, TACTILE (TIMER)		
S510	1-554-303-21	SWITCH, TACTILE (DSP)		
S511	1-554-303-21	SWITCH, TACTILE (DIGITAL ECHO)		
S512	1-554-303-21	SWITCH, TACTILE (1/ALL DISCS)		
S513	1-554-303-21	SWITCH, TACTILE (PLAY MODE)		
S514	1-554-303-21	SWITCH, TACTILE (REPEAT)		
S515	1-554-303-21	SWITCH, TACTILE (EDIT)		
S517	1-554-303-21	SWITCH, TACTILE (DISPLAY/DEMO)		
S519	1-554-303-21	SWITCH, TACTILE (CLIP PLAY)		
S520	1-554-303-21	SWITCH, TACTILE (CLIP ERASE)		
S521	1-554-303-21	SWITCH, TACTILE (CLIP A)		
S522	1-554-303-21	SWITCH, TACTILE (CLIP B)		
S523	1-554-303-21	SWITCH, TACTILE (CLIP C)		
S530	1-554-303-21	SWITCH, TACTILE (MENU 1)		
S531	1-554-303-21	SWITCH, TACTILE (MENU 2)		
S532	1-554-303-21	SWITCH, TACTILE (MENU 3)		
S533	1-554-303-21	SWITCH, TACTILE (MENU 4)		
S534	1-554-303-21	SWITCH, TACTILE (P.FILE)		
S535	1-554-303-21	SWITCH, TACTILE (EFFECT ON/OFF)		
S551	1-554-303-21	SWITCH, TACTILE (TUNER/BAND)		
S552	1-554-303-21	SWITCH, TACTILE (FUNCTION)		
S553	1-554-303-21	SWITCH, TACTILE (GROOVE)		
< VIBRATOR >				
X500	1-579-233-11	VIBRATOR, CERAMIC (5MHz)		
X500	1-760-489-11	VIBRATOR, CERAMIC (5MHz)		

*	A-4377-454-A	POLAR BOARD, COMPLETE (CIS)		

< CAPACITOR >				
C1701	1-162-294-31	CERAMIC	0.001uF 10% 50V	(CIS)
C1702	1-130-014-00	FILM	470PF 5% 50V	(CIS)
C1703	1-124-902-00	ELECT	0.47uF 20% 50V	(CIS)
C1704	1-124-902-00	ELECT	0.47uF 20% 50V	(CIS)
C1705	1-164-098-11	CERAMIC	0.047uF 12V	(CIS)
C1706	1-124-903-11	ELECT	1uF 20% 50V	(CIS)
C1707	1-162-288-31	CERAMIC	330PF 10% 50V	(CIS)
C1710	1-137-364-11	FILM	0.001uF 5% 50V	(CIS)
C1711	1-137-364-11	FILM	0.001uF 5% 50V	(CIS)
C1712	1-130-736-11	FILM	0.01uF 5% 50V	(CIS)
C1713	1-130-736-11	FILM	0.01uF 5% 50V	(CIS)

POLAR

POWER

Ref. No.	Part No.	Description	Remark
C1714	1-124-903-11	ELECT 1uF 20% 50V	(CIS)
C1715	1-124-903-11	ELECT 1uF 20% 50V	(CIS)
C1716	1-124-903-11	ELECT 1uF 20% 50V	(CIS)
C1719	1-104-664-11	ELECT 47uF 20% 16V	(CIS)
C1720	1-162-306-11	CERAMIC 0.01uF 30% 16V	(CIS)
C1723	1-162-306-11	CERAMIC 0.01uF 30% 16V	(CIS)
C1724	1-162-306-11	CERAMIC 0.01uF 30% 16V	(CIS)
C1725	1-104-664-11	ELECT 47uF 20% 16V	(CIS)
C1726	1-124-903-11	ELECT 1uF 20% 50V	(CIS)
C1727	1-124-903-11	ELECT 1uF 20% 50V	(CIS)
C1728	1-104-663-11	ELECT 33uF 20% 16V	(CIS)
< CONNECTOR >			
* CN1701	1-568-832-11	SOCKET, CONNECTOR 13P	(CIS)
< TRIMMER >			
CT1701	1-141-260-00	CAP, TRIMMER 50PF	(CIS)
< DIODE >			
D1701	8-719-987-63	DIODE 1N4148M	(CIS)
D1703	8-719-987-63	DIODE 1N4148M	(CIS)
D1704	8-719-987-63	DIODE 1N4148M	(CIS)
D1705	8-719-987-63	DIODE 1N4148M	(CIS)
< IC >			
IC1701	8-759-063-04	IC IR3R42	(CIS)
IC1703	8-759-140-53	IC uPD4053BC	(CIS)
< COIL >			
L1701	1-409-497-11	COIL (FILTER) (SUB CARRIER)	(CIS)
< TRANSISTOR >			
Q1701	8-729-900-61	TRANSISTOR DTA114ES	(CIS)
Q1702	8-729-900-80	TRANSISTOR DTC114ES	(CIS)
Q1704	8-729-900-80	TRANSISTOR DTC114ES	(CIS)
< RESISTOR >			
R1701	1-249-433-11	CARBON 22K 5% 1/4W	(CIS)
R1702	1-249-435-11	CARBON 33K 5% 1/4W	(CIS)
R1703	1-249-427-11	CARBON 6.8K 5% 1/4W	(CIS)
R1704	1-247-858-11	CARBON 13K 5% 1/4W	(CIS)
R1705	1-249-417-11	CARBON 1K 5% 1/4W	(CIS)
R1706	1-249-417-11	CARBON 1K 5% 1/4W	(CIS)
R1707	1-249-441-11	CARBON 100K 5% 1/4W	(CIS)
R1708	1-249-440-11	CARBON 82K 5% 1/4W	(CIS)
R1709	1-249-437-11	CARBON 47K 5% 1/4W	(CIS)
R1710	1-249-429-11	CARBON 10K 5% 1/4W	(CIS)
R1711	1-249-429-11	CARBON 10K 5% 1/4W	(CIS)
R1714	1-249-426-11	CARBON 5.6K 5% 1/4W	(CIS)
R1715	1-249-426-11	CARBON 5.6K 5% 1/4W	(CIS)
R1716	1-249-441-11	CARBON 100K 5% 1/4W	(CIS)

Ref. No.	Part No.	Description	Remark
R1717	1-249-441-11	CARBON 100K 5% 1/4W	(CIS)
R1718	1-249-429-11	CARBON 10K 5% 1/4W	(CIS)
R1719	1-249-429-11	CARBON 10K 5% 1/4W	(CIS)
R1721	1-249-434-11	CARBON 27K 5% 1/4W	(CIS)
R1722	1-249-441-11	CARBON 100K 5% 1/4W	(CIS)
< VARIABLE RESISTOR >			
RV1701	1-238-600-11	RES, ADJ, CARBON 10K (SUB CARRIER)	(CIS)
RV1702	1-238-599-11	RES, ADJ, CARBON 4.7K (VCO FREQUENCY)	(CIS)
< TEST PIN >			
* TP1701	1-560-061-00	PIN, CONNECTOR 3P	(CIS)
* TP1702	1-560-061-00	PIN, CONNECTOR 3P	(CIS)

* A-4389-042-A	POWER BOARD, COMPLETE	(AR,AUS,EA,SP,TW,MY,MX,JE,HK,E,TH)	
* A-4389-040-A	POWER BOARD, COMPLETE	(H881:US,CND)	
* A-4389-041-A	POWER BOARD, COMPLETE	(AEP,G,IT,UK,CIS,EE)	
* A-4389-022-A	POWER BOARD, COMPLETE	(H881D:US,CND)	

7-685-646-79	SCREW +BVTP 3X8 TYPE2 N-S		
< CAPACITOR >			
C1201	1-126-963-11	ELECT 4.7uF 20% 50V	
C1202	1-162-292-31	CERAMIC 680PF 10% 50V	
C1203	1-162-286-31	CERAMIC 220PF 10% 50V	
C1204	1-126-967-11	ELECT 47uF 20% 50V	
C1205	1-126-967-11	ELECT 47uF 20% 50V	
C1206	1-128-576-11	ELECT 100uF 20% 63V	(EXCEPT AEP,G,IT,UK,CIS,EE)
C1206	1-126-968-11	ELECT 100uF 20% 50V	(AEP,G,IT,UK,CIS,EE)
C1207	1-164-159-11	CERAMIC 0.1uF 50V	
C1208	1-128-551-11	ELECT 22uF 20% 63V	(EXCEPT AEP,G,IT,UK,CIS,EE)
C1208	1-126-965-11	ELECT 22uF 20% 50V	(AEP,G,IT,UK,CIS,EE)
C1210	1-136-165-00	FILM 0.1uF 5% 50V	
C1211	1-136-165-00	FILM 0.1uF 5% 50V	
C1220	1-124-635-00	ELECT 220uF 20% 6.3V	
C1230	1-104-482-11	ELECT 4700uF 20% 63V	(EXCEPT AEP,G,IT,UK,CIS,EE)
C1230	1-126-974-11	ELECT 3300uF 20% 50V	(AEP,G,IT,UK,CIS,EE)
C1231	1-124-635-00	ELECT 220uF 20% 6.3V	
C1232	1-124-635-00	ELECT 220uF 20% 6.3V	
C1233	1-126-963-11	ELECT 4.7uF 20% 50V	
C1234	1-126-933-11	ELECT 100uF 20% 10V	
C1235	1-104-482-11	ELECT 4700uF 20% 63V	(EXCEPT AEP,G,IT,UK,CIS,EE)
C1235	1-126-974-11	ELECT 3300uF 20% 50V	(AEP,G,IT,UK,CIS,EE)
C1251	1-126-963-11	ELECT 4.7uF 20% 50V	

Ref. No.	Part No.	Description	Remark
C1252	1-162-292-31	CERAMIC	680PF 10% 50V
C1253	1-162-286-31	CERAMIC	220PF 10% 50V
C1254	1-126-967-11	ELECT	47uF 20% 50V
C1255	1-126-967-11	ELECT	47uF 20% 50V
C1256	1-128-576-11	ELECT	100uF 20% 63V (EXCEPT AEP,G,IT,UK,CIS,EE)
C1256	1-126-968-11	ELECT	100uF 20% 50V (AEP,G,IT,UK,CIS,EE)
C1260	1-136-165-00	FILM	0.1uF 5% 50V
C1261	1-136-165-00	FILM	0.1uF 5% 50V
C1270	1-130-781-00	FILM	0.22uF 10% 100V (EXCEPT AEP,G,IT,UK,CIS,EE)
C1270	1-136-169-00	FILM	0.22uF 5% 50V (AEP,G,IT,UK,CIS,EE)
C1271	1-130-781-00	FILM	0.22uF 10% 100V (EXCEPT AEP,G,IT,UK,CIS,EE)
C1271	1-136-169-00	FILM	0.22uF 5% 50V (AEP,G,IT,UK,CIS,EE)
C1272	1-136-165-00	FILM	0.1uF 5% 50V (AEP,G,IT,UK,CIS,EE)
C1273	1-136-165-00	FILM	0.1uF 5% 50V (AEP,G,IT,UK,CIS,EE)
C1276	1-136-165-00	FILM	0.1uF 5% 50V (AEP,G,IT,UK,CIS,EE)
C1277	1-136-165-00	FILM	0.1uF 5% 50V (AEP,G,IT,UK,CIS,EE)
< CONNECTOR >			
* CN1201	1-766-957-11	CONNECTOR, BOARD TO BOARD	20P
* CN1202	1-568-937-11	PIN, CONNECTOR	10P
* CN1203	1-564-512-11	PLUG, CONNECTOR	9P
< DIODE >			
D1201	8-719-815-85	DIODE 1S1585	(EXCEPT AEP,G,IT,UK,CIS,EE)
D1201	8-719-987-63	DIODE 1N4148M	(AEP,G,IT,UK,CIS,EE)
D1202	8-719-987-63	DIODE 1N4148M	
D1203	8-719-987-63	DIODE 1N4148M	
D1230	8-719-987-63	DIODE 1N4148M	
D1231	8-719-987-63	DIODE 1N4148M	
D1232	8-719-987-63	DIODE 1N4148M	
D1240	8-719-987-63	DIODE 1N4148M	
D1250	8-719-510-68	DIODE D5SBA20F01	(EXCEPT AEP,G,IT,UK,CIS,EE)
D1250	8-719-025-03	DIODE RBA-402-SL	(AEP,G,IT,UK,CIS,EE)
D1251	8-719-815-85	DIODE 1S1585	(EXCEPT AEP,G,IT,UK,CIS,EE)
D1251	8-719-987-63	DIODE 1N4148M	(AEP,G,IT,UK,CIS,EE)
D1270	8-719-987-63	DIODE 1N4148M	
D1271	8-719-987-63	DIODE 1N4148M	
D1272	8-719-987-63	DIODE 1N4148M	
D1290	8-719-815-85	DIODE 1S1585	(EXCEPT AEP,G,IT,UK,CIS,EE)
D1291	8-719-815-85	DIODE 1S1585	(EXCEPT AEP,G,IT,UK,CIS,EE)
< TERMINAL BOARD >			
EPT1201	1-537-770-21	TERMINAL BOARD, GROUND	

Ref. No.	Part No.	Description	Remark
< IC >			
IC1201	8-749-900-78	IC STK4192MK2	(AR,AUS,EA,SP,MY,MX,JE,HK,E,TW,TH)
IC1201	8-749-921-68	IC STK4231MK2	(US,CND)
IC1201	8-749-920-10	IC STK4172MK2	(AEP,G,IT,UK,CIS,EE)
IC1201	8-759-502-31	IC SI-18751	(IA)
IC1202	8-759-111-68	IC uPC1237HA	
< JACK >			
J1201	1-774-785-11	JACK, PIN 1P (SUPER WOOFER)	(EXCEPT H881D)
< COIL >			
L1201	1-420-872-00	COIL, AIR-CORE	(AEP,G,IT,UK,CIS,EE)
L1202	1-420-872-00	COIL, AIR-CORE	(AEP,G,IT,UK,CIS,EE)
< TRANSISTOR >			
Q1201	8-729-140-84	TRANSISTOR	2SC1841-PAFAEA
Q1210	8-729-900-36	TRANSISTOR	DTC124ES
Q1230	8-729-900-36	TRANSISTOR	DTC124ES
Q1240	8-729-900-63	TRANSISTOR	DTA124ES
Q1241	8-729-900-36	TRANSISTOR	DTC124ES (EXCEPT AEP,G,IT,UK,CIS,EE)
Q1242	8-729-119-78	TRANSISTOR	2SC2785-HFE (EXCEPT AEP,G,IT,UK,CIS,EE)
Q1251	8-729-140-84	TRANSISTOR	2SC1841-PAFAEA
Q1270	8-729-119-78	TRANSISTOR	2SC2785-HFE(US,CND)
Q1270	8-729-140-84	TRANSISTOR	2SC1841-PAFAEA (EXCEPT US,CND)
Q1271	8-729-119-78	TRANSISTOR	2SC2785-HFE(US,CND)
Q1271	8-729-140-84	TRANSISTOR	2SC1841-PAFAEA (EXCEPT US,CND)
< RESISTOR >			
R1201	1-249-415-11	CARBON	680 5% 1/4W
R1202	1-249-437-11	CARBON	47K 5% 1/4W
R1203	1-249-415-11	CARBON	680 5% 1/4W
R1204	1-249-437-11	CARBON	47K 5% 1/4W
R1206	1-260-105-11	CARBON	3.3K 5% 1/2W (EXCEPT US,CND)
R1206	1-260-107-11	CARBON	4.7K 5% 1/2W (US,CND)
R1208	1-260-105-11	CARBON	3.3K 5% 1/2W (EXCEPT US,CND)
R1208	1-260-107-11	CARBON	4.7K 5% 1/2W (US,CND)
△ R1209	1-212-881-11	FUSIBLE	100 5% 1/4W F
△ R1210	1-208-601-11	WIREWOUND	0.1 10% 2W F (EXCEPT AEP,G,IT,UK,CIS,EE)
△ R1210	1-208-602-11	WIREWOUND	0.22 10% 2W F (AEP,G,IT,UK,CIS,EE)
R1211	1-249-417-11	CARBON	1K 5% 1/4W
R1212	1-249-433-11	CARBON	22K 5% 1/4W (EXCEPT AEP,G,IT,UK,CIS,EE)
R1212	1-249-431-11	CARBON	15K 5% 1/4W (AEP,G,IT,UK,CIS,EE)

The components identified by mark Δ or dotted line with mark Δ are critical for safety. Replace only with part number specified.

Les composants identifiés par une marque Δ sont critiques pour la sécurité. Ne les remplacer que par une pièce portant le numéro spécifié.

POWER

Ref. No.	Part No.	Description	Remark
R1213	1-249-441-11	CARBON	100K 5% 1/4W
R1215	1-260-099-11	CARBON	1K 5% 1/2W
R1216	1-260-099-11	CARBON	1K 5% 1/2W
R1218	1-260-076-11	CARBON	10 5% 1/2W
R1227	1-249-417-11	CARBON	1K 5% 1/4W
R1228	1-247-883-00	CARBON	150K 5% 1/4W (EXCEPT AEP,G,IT,UK,CIS,EE)
R1228	1-249-441-11	CARBON	100K 5% 1/4W (AEP,G,IT,UK,CIS,EE)
R1230	1-249-429-11	CARBON	10K 5% 1/4W
R1231	1-249-429-11	CARBON	10K 5% 1/4W
R1232	1-249-441-11	CARBON	100K 5% 1/4W
R1233	1-249-435-11	CARBON	33K 5% 1/4W
R1234	1-249-397-11	CARBON	22 5% 1/4W
R1235	1-249-427-11	CARBON	6.8K 5% 1/4W (EXCEPT US,CND)
R1235	1-247-854-11	CARBON	9.1K 5% 1/4W (US,CND)
R1236	1-249-427-11	CARBON	6.8K 5% 1/4W (EXCEPT US,CND)
R1236	1-247-854-11	CARBON	9.1K 5% 1/4W (US,CND)
R1237	1-249-437-11	CARBON	47K 5% 1/4W
R1238	1-249-439-11	CARBON	68K 5% 1/4W
R1239	1-249-429-11	CARBON	10K 5% 1/4W
R1240	1-249-429-11	CARBON	10K 5% 1/4W
R1242	1-249-429-11	CARBON	10K 5% 1/4W
R1243	1-249-397-11	CARBON	22 5% 1/4W
△ R1244	1-217-637-00	FUSIBLE	1 5% 1/4W F
R1245	1-249-441-11	CARBON	100K 5% 1/4W (EXCEPT AEP,G,IT,UK,CIS,EE)
R1246	1-249-441-11	CARBON	100K 5% 1/4W (EXCEPT AEP,G,IT,UK,CIS,EE)
R1247	1-249-435-11	CARBON	33K 5% 1/4W (EXCEPT AEP,G,IT,UK,CIS,EE)
R1248	1-249-429-11	CARBON	10K 5% 1/4W
R1249	1-249-441-11	CARBON	100K 5% 1/4W
R1251	1-249-415-11	CARBON	680 5% 1/4W
R1252	1-249-437-11	CARBON	47K 5% 1/4W
R1253	1-249-415-11	CARBON	680 5% 1/4W
R1254	1-249-437-11	CARBON	47K 5% 1/4W
R1256	1-260-105-11	CARBON	3.3K 5% 1/2W (EXCEPT US,CND)
R1256	1-260-107-11	CARBON	4.7K 5% 1/2W (US,CND)
R1258	1-260-105-11	CARBON	3.3K 5% 1/2W (EXCEPT US,CND)
R1258	1-260-107-11	CARBON	4.7K 5% 1/2W (US,CND)
△ R1259	1-212-881-11	FUSIBLE	100 5% 1/4W F
△ R1260	1-208-601-11	WIREWOUND	0.1 10% 2W F (EXCEPT AEP,G,IT,UK,CIS,EE)
△ R1260	1-208-602-11	WIREWOUND	0.22 10% 2W F (AEP,G,IT,UK,CIS,EE)
R1261	1-249-417-11	CARBON	1K 5% 1/4W
R1262	1-249-433-11	CARBON	22K 5% 1/4W (EXCEPT AEP,G,IT,UK,CIS,EE)
R1262	1-249-431-11	CARBON	15K 5% 1/4W (AEP,G,IT,UK,CIS,EE)

Ref. No.	Part No.	Description	Remark
R1263	1-249-441-11	CARBON	100K 5% 1/4W
R1268	1-260-076-11	CARBON	10 5% 1/2W
R1270	1-249-425-11	CARBON	4.7K 5% 1/4W
R1271	1-249-425-11	CARBON	4.7K 5% 1/4W
R1272	1-260-093-11	CARBON	330 5% 1/2W
R1273	1-260-093-11	CARBON	330 5% 1/2W
R1274	1-260-093-11	CARBON	330 5% 1/2W
R1275	1-260-093-11	CARBON	330 5% 1/2W
R1276	1-260-076-11	CARBON	10 5% 1/2W (AEP,G,IT,UK,CIS,EE)
R1277	1-260-076-11	CARBON	10 5% 1/2W (AEP,G,IT,UK,CIS,EE)
R1278	1-260-072-11	CARBON	4.7 5% 1/2W (AEP,G,IT,UK,CIS,EE)
R1279	1-260-072-11	CARBON	4.7 5% 1/2W (AEP,G,IT,UK,CIS,EE)
R1280	1-215-892-11	METAL OXIDE	1K 5% 2W F (AR,AUS,EA,TH,SP,TW,MY,MX,JE,HK,E,IA)
R1280	1-215-891-11	METAL OXIDE	680 5% 2W F (US,CND)
R1280	1-216-456-00	METAL OXIDE	820 5% 2W F (AEP,G,IT,UK,CIS,EE)
R1281	1-215-892-11	METAL OXIDE	1K 5% 2W F (AR,AUS,EA,TH,SP,TW,MY,MX,JE,HK,E,IA)
R1281	1-215-891-11	METAL OXIDE	680 5% 2W F (US,CND)
R1281	1-216-456-00	METAL OXIDE	820 5% 2W F (AEP,G,IT,UK,CIS,EE)
R1282	1-249-429-11	CARBON	10K 5% 1/4W
R1283	1-249-441-11	CARBON	100K 5% 1/4W
R1284	1-215-892-11	METAL OXIDE	1K 5% 2W F (AR,AUS,EA,TH,SP,TW,MY,MX,JE,HK,E,IA)
R1284	1-215-893-11	METAL OXIDE	1.5K 5% 2W F (US,CND)
R1284	1-216-456-00	METAL OXIDE	820 5% 2W F (AEP,G,IT,UK,CIS,EE)
R1285	1-249-413-11	CARBON	470 5% 1/4W
R1290	1-249-437-11	CARBON	47K 5% 1/4W (EXCEPT H881D)
R1291	1-249-421-11	CARBON	2.2K 5% 1/4W (EXCEPT H881D)
R1293	1-249-437-11	CARBON	47K 5% 1/4W (EXCEPT H881D)
R1294	1-249-437-11	CARBON	47K 5% 1/4W (EXCEPT AEP,G,IT,UK,CIS,EE)
R1295	1-249-437-11	CARBON	47K 5% 1/4W (EXCEPT AEP,G,IT,UK,CIS,EE)
		< RELAY >	
RY1201	1-515-920-11	RELAY (24V)	(EXCEPT US,CND)
RY1201	1-515-356-00	RELAY (US,CND)	
RY1202	1-515-920-11	RELAY (24V)	(EXCEPT US,CND)
RY1202	1-515-356-00	RELAY (US,CND)	
RY1203	1-515-920-11	RELAY (24V)	
		< THERMISTOR (POSITIVE) >	
THP12011	807-796-11	THERMISTOR	(EXCEPT AEP,UK,G,IT,CIS,EE,IA)

The components identified by mark △ or dotted line with mark △ are critical for safety.
Replace only with part number specified.

Les composants identifiés par une marque △ sont critiques pour la sécurité.
Ne les remplacer que par une pièce portant le numéro spécifié.

POWER

SENSOR

TCB (AEP,UK,G,IT,EE,CIS,E3,EA,MY,SP,TW,HK,JE,IA)

Ref. No.	Part No.	Description	Remark	Ref. No.	Part No.	Description	Remark
		< TERMINAL >		C28	1-126-967-11	ELECT	47uF 20% 16V
				C29	1-162-306-11	CERAMIC	0.01uF 30% 16V
TM1201	1-537-925-31	TERMINAL BOARD (SPEAKER)		C30	1-124-925-11	ELECT	2.2uF 20% 100V
TM1202	1-537-925-31	TERMINAL BOARD (SURROUND SPEAKER)		C31	1-163-031-11	CERAMIC CHIP	0.01uF 50V

*	1-658-576-12	SENSOR BOARD		C32	1-163-038-91	CERAMIC CHIP	0.1uF 25V
		*****		C33	1-163-038-91	CERAMIC CHIP	0.1uF 25V
		< IC >		C34	1-163-091-00	CERAMIC CHIP	8PF 50V
IC702	8-749-924-18	IC PHOTO INTERRUPTER RPI-1391					(EXCEPT AEP,UK,EE)
IC703	8-749-924-30	IC PHOTO REFLECTOR GP2S28		C34	1-163-229-11	CERAMIC CHIP	12PF 5% 50V
		< RESISTOR >					(AEP,UK,EE)
R701	1-249-416-11	CARBON	820 5% 1/4W	C35	1-163-038-91	CERAMIC CHIP	0.1uF 25V
R702	1-249-407-11	CARBON	150 5% 1/4W	C36	1-163-141-00	CERAMIC CHIP	0.001uF 5% 50V

*	A-4303-514-A	TCB BOARD, COMPLETE (AEP,UK)		C37	1-163-141-00	CERAMIC CHIP	0.001uF 5% 50V
*	A-4303-515-A	TCB BOARD, COMPLETE (G,IT)		C38	1-162-211-31	CERAMIC	33PF 5% 50V
*	A-4303-516-A	TCB BOARD, COMPLETE (EE)					(EXCEPT AEP,UK,G,IT,EE)
*	A-4303-517-A	TCB BOARD, COMPLETE (CIS)		C39	1-163-141-00	CERAMIC CHIP	0.001uF 5% 50V
*	A-4303-518-A	TCB BOARD, COMPLETE		C40	1-163-031-11	CERAMIC CHIP	0.01uF 50V
		(E3,EA,MY,SP,TW,HK,JE,IA)		C41	1-163-031-11	CERAMIC CHIP	0.01uF 50V
		*****		C42	1-163-038-91	CERAMIC CHIP	0.1uF 25V
		< CAPACITOR >		C43	1-163-038-91	CERAMIC CHIP	0.1uF 25V
C1	1-163-141-00	CERAMIC CHIP	0.001uF 5% 50V	C44	1-163-031-11	CERAMIC CHIP	0.01uF 50V
C2	1-126-967-11	ELECT	47uF 20% 16V	C45	1-163-038-91	CERAMIC CHIP	0.1uF 25V
C3	1-163-038-91	CERAMIC CHIP	0.1uF 25V	C46	1-163-077-00	CERAMIC CHIP	0.1uF 10% 25V
C5	1-163-031-11	CERAMIC CHIP	0.01uF 50V	C47	1-126-967-11	ELECT	47uF 20% 16V
C6	1-163-038-91	CERAMIC CHIP	0.1uF 25V	C48	1-163-031-11	CERAMIC CHIP	0.01uF 50V
C7	1-101-004-00	CERAMIC	0.01uF 50V	C49	1-124-902-00	ELECT	0.47uF 20% 50V
		(EXCEPT AEP,UK,G,IT)		C50	1-124-903-11	ELECT	1.0uF 20% 50V
C8	1-163-031-11	CERAMIC CHIP	0.01uF 50V	C51	1-124-903-11	ELECT	1.0uF 20% 50V
C9	1-163-031-11	CERAMIC CHIP	0.01uF 50V	C52	1-126-964-11	ELECT	10uF 20% 50V
C10	1-163-031-11	CERAMIC CHIP	0.01uF 50V	C53	1-126-964-11	ELECT	10uF 20% 50V
C11	1-163-038-91	CERAMIC CHIP	0.1uF 25V	C54	1-126-157-11	ELECT	10uF 20% 16V
		(EXCEPT AEP,UK,G,IT,EE)		C55	1-126-157-11	ELECT	10uF 20% 16V
C11	1-216-295-11	METAL CHIP	0 5% 1/10W	C56	1-126-157-11	ELECT	10uF 20% 16V
		(G,IT)		C57	1-163-017-00	CERAMIC CHIP	0.0047uF 5% 50V
C14	1-163-038-91	CERAMIC CHIP	0.1uF 25V	C58	1-163-017-00	CERAMIC CHIP	0.0047uF 5% 50V
		(EXCEPT AEP,UK,G,IT,EE)		C59	1-163-809-11	CERAMIC CHIP	0.047uF 10% 25V
C15	1-136-162-00	CERAMIC	0.056uF 50V				(AEP,UK,IT,G)
		(EXCEPT AEP,UK,G,IT,EE)		C60	1-163-809-11	CERAMIC CHIP	0.047uF 10% 25V
C16	1-163-038-91	CERAMIC CHIP	0.1uF 25V				(AEP,UK,IT,G)
C17	1-163-031-11	CERAMIC CHIP	0.01uF 50V	C60	1-163-989-11	CERAMIC CHIP	0.033uF 10% 25V
		(EXCEPT AEP,UK,G,IT,EE)					(EXCEPT AEP,UK,IT,G)
C18	1-163-088-00	CERAMIC CHIP	5PF 50V	C61	1-126-301-11	ELECT	1uF 20% 50V
		(EXCEPT AEP,UK,G,IT,EE)		C62	1-163-141-00	CERAMIC CHIP	0.001uF 5% 50V
C19	1-163-249-11	CERAMIC CHIP	82PF 5% 50V	C63	1-163-017-00	CERAMIC CHIP	0.0047uF 5% 50V
		(AEP,UK,EE)		C64	1-126-967-11	ELECT	47uF 20% 16V
C21	1-163-141-00	CERAMIC CHIP	0.001uF 5% 50V	C65	1-163-031-11	CERAMIC CHIP	0.01uF 50V
C22	1-163-031-11	CERAMIC CHIP	0.01uF 50V	C66	1-126-162-11	ELECT	3.3uF 20% 50V
C23	1-163-235-11	CERAMIC CHIP	22PF 5% 50V	C67	1-126-933-11	ELECT	100uF 20% 10V
C24	1-163-239-11	CERAMIC CHIP	33PF 5% 50V	C68	1-162-306-11	CERAMIC	0.01uF 30% 16V
C26	1-126-967-11	ELECT	47uF 20% 16V	C69	1-126-964-11	ELECT	10uF 20% 50V
							(CIS)

Ref. No.	Part No.	Description	Remark
C70	1-126-964-11	ELECT 10uF	20% 50V (CIS)
C71	1-162-306-11	CERAMIC 0.01uF	30% 16V
C72	1-126-967-11	ELECT 47uF	20% 16V
C120	1-163-105-00	CERAMIC CHIP 33PF	5% 50V (AEP,UK,IT,G)
< FILTER >			
CF1	1-567-389-11	FILTER, CERAMIC (EXCEPT AEP,UK,G,IT)	
CF1	1-579-374-71	FILTER, CERAMIC (AEP,UK,G,IT)	
CF2	1-760-393-11	FILTER, CERAMIC (AEP,UK,G,IT)	
CF3	1-567-389-11	FILTER, CERAMIC (EXCEPT AEP,UK,G,IT)	
CF3	1-760-393-11	FILTER, CERAMIC (AEP,UK,G,IT)	
< CONNECTOR >			
* CN1	1-568-834-11	SOCKET, CONNECTOR 15P	
* CN2	1-568-832-11	SOCKET, CONNECTOR 13P (CIS)	
< TRIMMER >			
CV1	1-141-227-00	TRIMMER (EXCEPT AEP,UK,G,IT,EE)	
CV2	1-141-227-00	TRIMMER (EXCEPT AEP,UK,G,IT,EE)	
< DIODE >			
D1	8-719-976-30	DIODE KV1560N (EXCEPT AEP,UK,G,IT,EE)	
D21	8-719-976-99	DIODE UDZ-TE-17-5.1B	
D41	8-719-016-74	DIODE 1SS352-TPH3	
D42	8-719-987-63	DIODE 1N4148M-TP (CIS)	
D43	8-719-987-63	DIODE 1N4148M-TP (CIS)	
< FRONT END >			
FE1	1-233-532-11	FRONT END (E3,EA,MY,SP,HK,JE,IA)	
FE1	1-233-542-11	FRONT END (4 GAND) (AEP,UK,IT,G)	
FE1	1-693-335-11	FRONT END (3 GAND) (EE,CIS)	
FE2	1-233-514-11	ENCAPSULATED COMPONENT (AEP,UK,EE)	
FE2	1-239-260-11	ENCAPSULATED COMPONENT (G,IT)	
FE2	1-239-262-11	ENCAPSULATED COMPONENT (EXCEPT AEP,UK,G,IT,EE)	
< IC >			
IC21	8-759-288-54	IC LC72130	
IC41	8-759-176-03	IC LA1835	
< IFT >			
IFT41	1-409-636-11	TRANSFORMER, IF (CERAMIC FILTER)	
< JUMPER RESISTOR >			
JR1	1-216-295-11	METAL CHIP 0	5% 1/10W (G,IT)
JR2	1-216-295-11	METAL CHIP 0	5% 1/10W (AEP,UK,EE)
JR3	1-216-295-11	METAL CHIP 0	5% 1/10W (G,IT)

Ref. No.	Part No.	Description	Remark
JR6	1-216-295-11	METAL CHIP 0	5% 1/10W (AEP,UK,IT,G)
JR7	1-216-295-11	METAL CHIP 0	5% 1/10W (G,IT)
JR8	1-216-295-11	METAL CHIP 0	5% 1/10W (AEP,UK,EE)
JR9	1-216-295-11	METAL CHIP 0	5% 1/10W (AEP,UK,EE)
JR45	1-216-295-11	METAL CHIP 0	5% 1/10W
JR46	1-216-296-11	METAL CHIP 0	5% 1/8W
JR47	1-216-295-11	METAL CHIP 0	5% 1/10W
JR48	1-216-295-11	METAL CHIP 0	5% 1/10W
JR49	1-216-296-11	METAL CHIP 0	5% 1/8W
JR50	1-216-295-11	METAL CHIP 0	5% 1/10W (EXCEPT AEP,UK,G,IT,EE)
JR51	1-216-295-11	METAL CHIP 0	5% 1/10W (EXCEPT G,IT)
JR52	1-216-295-11	METAL CHIP 0	5% 1/10W
JR53	1-216-296-11	METAL CHIP 0	5% 1/8W (EXCEPT G,IT)
JR54	1-216-295-11	METAL CHIP 0	5% 1/10W
JW4	1-249-413-11	CARBON 470	5% 1/4W (AEP,UK,IT,G)
JW5	1-249-413-11	CARBON 470	5% 1/4W (AEP,UK,IT,G)
< COIL >			
L1	1-410-521-11	MICRO INDUCTOR 100uH	(EXCEPT AEP,UK,G,IT,EE)
L2	1-414-142-11	MICRO INDUCTOR 1uH	(AEP,UK,IT,G)
L3	1-410-521-11	MICRO INDUCTOR 100uH	
L4	1-410-515-11	INDUCTOR 33uH	(AEP,UK,G,IT)
L41	1-407-500-00	MICRO INDUCTOR 4.7mH	(AEP,UK,EE)
L41	1-410-119-11	MICRO INDUCTOR (EL TYPE) 1mH	(EXCEPT AEP,UK,EE)
< FILTER >			
LPF41	1-239-845-11	FILTER, LOW PASS	
LPF42	1-239-845-11	FILTER, LOW PASS	
< TRANSISTOR >			
Q1	8-729-201-27	TRANSISTOR 2SC2715Y-TE85L	
Q2	8-729-201-27	TRANSISTOR 2SC2715Y-TE85L	
Q3	8-729-201-27	TRANSISTOR 2SC2715Y-TE85L	
Q4	8-729-201-27	TRANSISTOR 2SC2715Y-TE85L	
Q5	8-729-424-08	TRANSISTOR MUN2111T1	
Q8	8-729-033-67	TRANSISTOR 2SK211-Y-TE85L	(EXCEPT AEP,UK,G,IT,EE)
Q9	8-729-216-22	TRANSISTOR 2SA812-M5M6	(EXCEPT G,IT)
Q10	8-729-216-22	TRANSISTOR 2SA812-M5M6	(EXCEPT AEP,UK,G,IT,EE)
Q11	8-729-421-22	TRANSISTOR MUN2211T1	(AEP,UK,EE)
Q12	8-729-421-22	TRANSISTOR MUN2211T1	(EXCEPT G,IT)
Q13	8-729-421-22	TRANSISTOR MUN2211T1	(EXCEPT G,IT)
Q14	8-729-421-22	TRANSISTOR MUN2211T1	(EXCEPT G,IT)

Ref. No.	Part No.	Description	Remark	Ref. No.	Part No.	Description	Remark
< RESISTOR >				R53	1-249-429-11	CARBON 10K	5% 1/4W
R1	1-249-401-11	CARBON	47 5% 1/4W	R54	1-216-162-00	METAL CHIP 33	5% 1/8W (EXCEPT G,IT)
R2	1-216-037-00	METAL CHIP	330 5% 1/10W	R55	1-216-162-00	METAL CHIP 33	5% 1/8W
R3	1-216-037-00	METAL CHIP	330 5% 1/10W	R56	1-249-393-11	CARBON 10	5% 1/4W
R5	1-216-037-00	METAL CHIP	330 5% 1/10W	R91	1-216-295-11	METAL CHIP 0	5% 1/10W (AEP,UK,EE)
R6	1-216-081-00	METAL CHIP	22K 5% 1/10W	R91	1-216-065-00	METAL CHIP 4.7K	5% 1/10W (EXCEPT AEP,UK,G,IT,EE)
R7	1-216-037-00	METAL CHIP	330 5% 1/10W	R92	1-216-073-00	METAL CHIP 10K	5% 1/10W (EXCEPT G,IT)
R8	1-216-037-00	METAL CHIP	330 5% 1/10W	R93	1-216-073-00	METAL CHIP 10K	5% 1/10W (EXCEPT AEP,UK,G,IT,EE)
R9	1-216-081-00	METAL CHIP	22K 5% 1/10W	R94	1-216-073-00	METAL CHIP 10K	5% 1/10W (EXCEPT G,IT)
R10	1-216-037-00	METAL CHIP	330 5% 1/10W	< VARIABLE RESISTOR >			
R11	1-216-081-00	METAL CHIP	22K 5% 1/10W	RV41	1-238-601-11	RES. ADJ. CARBON 22K (AM TUNING LEVEL)	
R12	1-216-037-00	METAL CHIP	330 5% 1/10W	RV42	1-238-600-11	RES. ADJ. CARBON 10K (FM TUNING LEVEL)	
R13	1-216-037-00	METAL CHIP	330 5% 1/10W	< COIL >			
R14	1-216-081-00	METAL CHIP	22K 5% 1/10W	T1	1-409-505-11	COIL (ANT.SW3) (EXCEPT AEP,UK,G,IT,EE)	
R18	1-216-073-00	METAL CHIP	10K 5% 1/10W (AEP,UK,EE)	T2	1-402-960-11	COIL (OSC.SW3) (EXCEPT AEP,UK,G,IT,EE)	
R18	1-216-065-00	METAL CHIP	4.7K 5% 1/10W (EXCEPT AEP,UK,G,IT,EE)	< TERMINAL >			
R19	1-216-073-00	METAL CHIP	10K 5% 1/10W (EXCEPT G,IT)	TM1	1-537-238-11	TERMINAL BOARD (ANT) (ANTENNA) (E3,EA,MY,SP,TW,HK,JE,IA)	
R20	1-216-121-91	METAL CHIP	1M 5% 1/10W (EXCEPT AEP,UK,G,IT,EE)	TM1	1-537-488-11	TERMINAL BOARD (ANT) (ANTENNA) (AEP,UK,G,IT,EE,CIS)	
R21	1-216-049-11	METAL CHIP	1.0K 5% 1/10W	< VIBRATOR >			
R22	1-216-049-11	METAL CHIP	1.0K 5% 1/10W	X21	1-760-549-11	VIBRATOR, CRYSTAL (4.5MHz)	
R23	1-216-049-11	METAL CHIP	1.0K 5% 1/10W	X41	1-760-220-11	FILTER, CERAMIC (10.7MHz)	
R24	1-216-025-11	METAL CHIP	100 5% 1/10W	X42	1-527-981-00	FILTER, CERAMIC (450KHz)	
R25	1-249-417-11	CARBON	1K 5% 1/4W	X43	1-577-075-11	OSCILLATOR, CERAMIC (456KHz)	
R26	1-249-437-11	CARBON	47K 5% 1/4W	*****			
R27	1-249-429-11	CARBON	10K 5% 1/4W	*	A-4303-522-A	TCB BOARD, COMPLETE (US,CND)	
R28	1-249-417-11	CARBON	1K 5% 1/4W	*	A-4303-524-A	TCB BOARD, COMPLETE (E2,AUS,AR,MX,TH) *****	
R29	1-216-061-00	METAL CHIP	3.3K 5% 1/10W	< CAPACITOR >			
R30	1-216-186-00	METAL CHIP	330 5% 1/8W	C1	1-162-294-31	CERAMIC 0.001uF 10% 50V	
R31	1-216-025-11	METAL CHIP	100 5% 1/10W	C2	1-126-967-11	ELECT 47uF 20% 16V	
R32	1-249-425-11	CARBON	4.7K 5% 1/4W	C3	1-164-159-21	CERAMIC 0.1uF 50V	
R33	1-249-425-11	CARBON	4.7K 5% 1/4W	C5	1-162-306-11	CERAMIC 10000PF 30% 16V	
R34	1-216-065-00	METAL CHIP	4.7K 5% 1/10W	C6	1-162-306-11	CERAMIC 10000PF 30% 16V	
R35	1-216-214-00	METAL CHIP	4.7K 5% 1/8W	C7	1-101-004-00	CERAMIC 0.01uF 50V	
R36	1-216-025-11	METAL CHIP	100 5% 1/10W	C8	1-162-306-11	CERAMIC 10000PF 30% 16V	
R37	1-216-073-00	METAL CHIP	10K 5% 1/10W	C9	1-162-306-11	CERAMIC 10000PF 30% 16V	
R38	1-216-089-11	METAL CHIP	47K 5% 1/10W	C11	1-164-159-21	CERAMIC 0.1uF 50V	
R39	1-249-429-11	CARBON	10K 5% 1/4W	C12	1-162-198-31	CERAMIC 8.2PF 10% 50V	
R42	1-216-073-00	METAL CHIP	10K 5% 1/10W	C14	1-162-306-11	CERAMIC 10000PF 30% 16V	
R43	1-216-042-00	METAL CHIP	510 5% 1/10W	*****			
R44	1-216-021-00	METAL CHIP	68 5% 1/10W				
R45	1-249-423-11	CARBON	3.3K 5% 1/4W				
R46	1-216-073-00	METAL CHIP	10K 5% 1/10W				
R47	1-216-097-11	METAL CHIP	100K 5% 1/10W				
R48	1-249-417-11	CARBON	1K 5% 1/4W (AEP,UK,G,IT,EE,CIS)				
R48	1-249-423-11	CARBON	3.3K 5% 1/4W (EXCEPT AEP,UK,G,IT,EE,CIS)				
R49	1-216-061-11	METAL CHIP	3.3K 5% 1/10W				
R50	1-216-065-00	METAL CHIP	4.7K 5% 1/10W				
R51	1-216-065-00	METAL CHIP	4.7K 5% 1/10W				

Ref. No.	Part No.	Description	Remark
C21	1-102-959-00	CERAMIC	22PF 5% 50V
C21	1-102-960-00	CERAMIC	24PF 50V
C22	1-164-159-21	CERAMIC	0.1uF 50V
C23	1-162-306-11	CERAMIC	10000PF 30% 16V
C24	1-126-967-11	ELECT	47uF 20% 16V
C25	1-162-306-11	CERAMIC	10000PF 30% 16V
C26	1-126-964-11	ELECT	10uF 20% 50V
C27	1-164-159-21	CERAMIC	0.1uF 50V
C28	1-124-925-11	ELECT	2.2uF 20% 100V
C29	1-102-518-11	CERAMIC	33PF 5% 50V
C30	1-162-294-31	CERAMIC	0.001uF 10% 50V
C31	1-162-306-11	CERAMIC	10000PF 30% 16V
C41	1-126-933-11	ELECT	100uF 20% 10V
C42	1-162-306-11	CERAMIC	10000PF 30% 16V
C43	1-126-962-11	ELECT	3.3uF 20% 50V
C44	1-162-306-11	CERAMIC	10000PF 30% 16V
C45	1-124-589-11	ELECT	47uF 20% 16V
C46	1-162-600-11	CERAMIC	4700PF 30% 16V
C47	1-162-294-31	CERAMIC	0.001uF 10% 50V
C48	1-126-160-11	ELECT	1uF 20% 50V
C49	1-136-159-00	METALIZED FILM 0.033uF	5% 50V (EXCEPT US,CND)
C49	1-136-160-00	METALIZED FILM 0.039uF	5% 50V (US,CND)
C50	1-136-159-00	METALIZED FILM 0.033uF	5% 50V (EXCEPT US,CND)
C50	1-136-160-00	METALIZED FILM 0.039uF	5% 50V (US,CND)
C51	1-162-600-11	CERAMIC	4700PF 30% 16V
C52	1-162-600-11	CERAMIC	4700PF 30% 16V
C53	1-126-964-11	ELECT	10uF 20% 50V
C54	1-126-157-11	ELECT	10uF 20% 16V
C55	1-126-964-11	ELECT	10uF 20% 50V
C56	1-126-964-11	ELECT	10uF 20% 50V
C57	1-164-159-21	CERAMIC	0.1uF 50V
C58	1-162-306-11	CERAMIC	10000PF 30% 16V
C59	1-164-159-21	CERAMIC	0.1uF 50V
C61	1-164-159-21	CERAMIC	0.1uF 50V
C62	1-126-967-11	ELECT	47uF 20% 16V
C63	1-164-159-21	CERAMIC	0.1uF 50V
C64	1-124-902-00	ELECT	0.47uF 20% 50V
C65	1-124-903-11	ELECT	1.0uF 20% 50V
C66	1-124-903-11	ELECT	1.0uF 20% 50V
C67	1-126-964-11	ELECT	10uF 20% 50V
C68	1-162-306-11	CERAMIC	10000PF 30% 16V
C69	1-162-306-11	CERAMIC	10000PF 30% 16V
C70	1-162-306-11	CERAMIC	10000PF 30% 16V
C71	1-162-306-11	CERAMIC	10000PF 30% 16V
C73	1-162-306-11	CERAMIC	10000PF 30% 16V
C74	1-126-964-11	ELECT	10uF 20% 50V
		< FILTER >	
CF1	1-567-389-11	FILTER, CERAMIC	

Ref. No.	Part No.	Description	Remark
CF2	1-567-389-11	FILTER, CERAMIC	
		< CONNECTOR >	
* CN1	1-568-832-11	SOCKET, CONNECTOR 13P	
		< DIODE >	
D1	8-719-933-33	DIODE UZL-6L1-TA	
D2	8-719-987-63	DIODE 1N4148M-TA	
		< FRONT END >	
FE1	1-233-533-11	ENCAPSULATED COMPONENT	
FE2	1-239-260-11	ENCAPSULATED COMPONENT	
		< IC >	
IC1	8-759-288-54	IC LC72130	
IC2	8-759-176-03	IC LA1835	
		< IFT >	
IFT41	1-409-636-11	TRANSFORMER, IF (CERAMIC FILTER)	
		< COIL >	
L41	1-410-119-11	MICRO INDUCTOR (EL TYPE)	
		< FILTER >	
LPF41	1-239-845-11	FILTER, LOW PASS	
LPF42	1-239-845-11	FILTER, LOW PASS	
		< TRANSISTOR >	
Q1	8-729-230-99	TRANSISTOR 2SC2669OY-TPE4	
Q2	8-729-230-99	TRANSISTOR 2SC2669OY-TPE4	
Q3	8-729-230-99	TRANSISTOR 2SC2669OY-TPE4	
Q4	8-729-230-99	TRANSISTOR 2SC2669OY-TPE4	
Q5	8-729-422-57	TRANSISTOR BN1A4M-TP	
		< RESISTOR >	
R1	1-249-401-11	CARBON 47 5% 1/4W	
R2	1-249-411-11	CARBON 330 5% 1/4W	
R3	1-249-411-11	CARBON 330 5% 1/4W	
R5	1-249-411-11	CARBON 330 5% 1/4W	
R6	1-247-863-91	CARBON 22K 5% 1/4W	
R7	1-249-411-11	CARBON 330 5% 1/4W	
R8	1-249-411-11	CARBON 330 5% 1/4W	
R9	1-247-863-91	CARBON 22K 5% 1/4W	
R10	1-249-411-11	CARBON 330 5% 1/4W	
R11	1-247-863-91	CARBON 22K 5% 1/4W	
R12	1-249-411-11	CARBON 330 5% 1/4W	
R13	1-249-411-11	CARBON 330 5% 1/4W	
R14	1-247-863-91	CARBON 22K 5% 1/4W	
R15	1-249-429-11	CARBON 10K 5% 1/4W	

Ref. No.	Part No.	Description	Remark
R16	1-249-437-11	CARBON 47K	5% 1/4W
R19	1-249-399-11	CARBON 33	5% 1/4W
R21	1-247-807-31	CARBON 100	5% 1/4W
R22	1-249-425-11	CARBON 4.7K	5% 1/4W
R23	1-249-425-11	CARBON 4.7K	5% 1/4W
R24	1-249-425-11	CARBON 4.7K	5% 1/4W
R25	1-247-807-31	CARBON 100	5% 1/4W
R26	1-249-411-11	CARBON 330	5% 1/4W
R27	1-249-425-11	CARBON 4.7K	5% 1/4W
R28	1-249-423-11	CARBON 3.3K	5% 1/4W
R29	1-249-417-11	CARBON 1K	5% 1/4W
R30	1-249-417-11	CARBON 1K	5% 1/4W
R31	1-249-417-11	CARBON 1K	5% 1/4W
R32	1-249-417-11	CARBON 1K	5% 1/4W
R33	1-247-807-31	CARBON 100	5% 1/4W
R34	1-249-429-11	CARBON 10K	5% 1/4W
R35	1-249-429-11	CARBON 10K	5% 1/4W
R36	1-249-437-11	CARBON 47K	5% 1/4W
R37	1-249-417-11	CARBON 1K	5% 1/4W
R41	1-249-429-11	CARBON 10K	5% 1/4W
R43	1-249-421-11	CARBON 2.2K	5% 1/4W
R44	1-249-421-11	CARBON 2.2K	5% 1/4W
R46	1-249-442-11	CARBON 510	5% 1/4W
R47	1-249-403-11	CARBON 68	5% 1/4W
R48	1-249-423-11	CARBON 3.3K	5% 1/4W
R49	1-249-393-11	CARBON 10	5% 1/4W
R50	1-249-429-11	CARBON 10K	5% 1/4W
R51	1-249-441-11	CARBON 100K	5% 1/4W
R52	1-249-429-11	CARBON 10K	5% 1/4W
R53	1-249-425-11	CARBON 4.7K	5% 1/4WF
R54	1-249-425-11	CARBON 4.7K	5% 1/4WF
< VARIABLE RESISTOR >			
RV41	1-238-600-11	RES, ADJ, CARBON 10K (FM TUNING LEVEL)	
RV42	1-238-601-11	RES, ADJ, CARBON 22K (AM TUNING LEVEL)	
< TERMINAL >			
TM1	1-537-238-21	TERMINAL BOARD (ANTENNA)	
< VIBRATOR >			
X21	1-760-549-11	VIBRATOR, CRYSTAL (4.5MHz)	
X41	1-577-075-11	OSCILLATOR, CERAMIC (456KHz)	
X42	1-760-220-11	FILTER, CERAMIC (10.7MHz)	
X43	1-527-981-00	FILTER, CERAMIC (450KHz)	

*	A-4389-030-A	TC-SW BOARD, COMPLETE	*****
< DIODE >			
D523	8-719-032-87	LED SEL5420E-TP15 (◁ (DECK B))	

Ref. No.	Part No.	Description	Remark
D524	8-719-032-87	LED SEL5420E-TP15 (▷ (BECK B))	
D525	8-719-057-09	LED LNJ801LPDJA (● REC)	
D526	8-719-058-17	LED LNJ401NPYJA (■ PAUSE)	
D527	8-719-032-87	LED SEL5420E-TP15 (◁ (DECK A))	
D528	8-719-032-87	LED SEL5420E-TP15 (▷ (DECK A))	
< RESISTOR >			
R553	1-249-409-11	CARBON 220	5% 1/4W
R554	1-249-411-11	CARBON 330	5% 1/4W
R555	1-249-413-11	CARBON 470	5% 1/4W
R556	1-249-415-11	CARBON 680	5% 1/4W
R557	1-249-417-11	CARBON 1K	5% 1/4W
R558	1-249-419-11	CARBON 1.5K	5% 1/4W
R559	1-249-421-11	CARBON 2.2K	5% 1/4W
R560	1-249-423-11	CARBON 3.3K	5% 1/4W
R561	1-249-427-11	CARBON 6.8K	5% 1/4W
R562	1-249-431-11	CARBON 15K	5% 1/4W
R568	1-249-413-11	CARBON 470	5% 1/4W
R569	1-249-415-11	CARBON 680	5% 1/4W
R570	1-249-417-11	CARBON 1K	5% 1/4W
R571	1-249-419-11	CARBON 1.5K	5% 1/4W
R572	1-249-421-11	CARBON 2.2K	5% 1/4W
R573	1-249-423-11	CARBON 3.3K	5% 1/4W
R574	1-249-427-11	CARBON 6.8K	5% 1/4W
R610	1-247-807-31	CARBON 100	5% 1/4W
R611	1-247-807-31	CARBON 100	5% 1/4W
R612	1-249-407-11	CARBON 150	5% 1/4W
R613	1-249-407-11	CARBON 150	5% 1/4W
R614	1-247-807-31	CARBON 100	5% 1/4W
R615	1-247-807-31	CARBON 100	5% 1/4W
< SWITCH >			
S536	1-554-303-21	SWITCH, TACTILE (▷ (DECK B))	
S537	1-554-303-21	SWITCH, TACTILE (◁ (DECK B))	
S538	1-554-303-21	SWITCH, TACTILE (▶▶)	
S539	1-554-303-21	SWITCH, TACTILE (■)	
S540	1-554-303-21	SWITCH, TACTILE (◀◀)	
S541	1-554-303-21	SWITCH, TACTILE (■ PAUSE)	
S542	1-554-303-21	SWITCH, TACTILE (● REC)	
S543	1-554-303-21	SWITCH, TACTILE (KARAOKE PON/MPX)	
S544	1-554-303-21	SWITCH, TACTILE (CD SYNCHRO)	
S545	1-554-303-21	SWITCH, TACTILE (HIGH SPEED DUBBING)	
S554	1-554-303-21	SWITCH, TACTILE (DIRECTION)	
S555	1-554-303-21	SWITCH, TACTILE (DOLBY NR)	
S556	1-554-303-21	SWITCH, TACTILE (▶▶)	
S557	1-554-303-21	SWITCH, TACTILE (■)	
S558	1-554-303-21	SWITCH, TACTILE (◀◀)	
S559	1-554-303-21	SWITCH, TACTILE (▷ (DECK A))	
S560	1-554-303-21	SWITCH, TACTILE (◁ (DECK A))	

TRANS

Ref. No.	Part No.	Description	Remark
*	1-659-116-11	TRANS BOARD *****	
		< HOLDER, FUSE >	
	1-533-217-31	HOLDER, FUSE	
		< CONNECTOR >	
CN1601	1-564-321-00	PIN, CONNECTOR 2P	
CN1602	1-564-524-11	PLUG, CONNECTOR 9P	
		< FUSE >	
△ F1601	1-532-299-00	FUSE (T5AL,250V) (AEP,UK,G,IT,EE,CIS)	
△ F1602	1-532-299-00	FUSE (T5AL,250V) (AEP,UK,G,IT,EE,CIS)	
△ F1603	1-532-350-00	FUSE (T4AL,250V) (E,EA,SP,JE,HK,IA,MX)	
△ F1603	1-533-420-00	FUSE, GLASS TUBE (5A 125V) (US,CND)	
△ F1604	1-532-203-00	FUSE (T2AL,250V) (E,EA,JE,HK,AR,MY,AUS,TW)	
		< RESISTOR >	
△ R1600	1-202-725-00	SOLID 3.3M 10% 1/2W (US,CND)	
△ R1602	1-219-119-81	FUSIBLE 0.1 5% 1/4W F	
△ R1603	1-219-139-11	FUSIBLE 0.68 5% 1/4W F	
△ R1604	1-219-119-81	FUSIBLE 0.1 5% 1/4W F	
		< SWITCH >	
△ VS1601	1-572-675-11	SWITCH, POWER VOLTAGE CHANGE (VOLTAGE SELECTOR) (AR,EA,SP,TW,JE,HK,E,IA)	
		< TRANSFORMER >	
△ T1601	1-429-294-11	TRANSFORMER, POWER (US,CND)	
△ T1601	1-429-296-11	TRANSFORMER, POWER (AEP,G,IT,UK,CIS,EE)	
△ T1601	1-429-298-11	TRANSFORMER, POWER (AR,AUS,EA,TH,SP,TW,MY,MX,JE,HK,E)	
△ T1601	1-429-299-11	TRANSFORMER, POWER (IA)	

		MISCELLANEOUS *****	
* 5	1-533-217-31	HOLDER, FUSE	
8	1-751-086-11	WIRE (FLAT TYPE) (13 CORE) (US,CND,AR,AUS,E2,MX,TH,EA4)	
8	1-773-012-11	WIRE (FLAT TYPE) (15 CORE) (AEP,IT,G, UK,CIS,EE,E3,JE,MX,MY,EA3,TW,SP,IA)	
△ 12	1-575-651-11	CORD, POWER (AR,AEP,G,IT,EA,CIS,SP,MY,HK,EE,TW)	
△ 12	1-575-653-11	CORD, POWER (MX,JE,E,IA)	
△ 12	1-690-608-11	CORD, POWER (AUS)	
△ 12	1-690-609-21	CORD, POWER (US,CND)	
△ 12	1-751-520-21	CORD, POWER (UK)	
△ 12	1-751-326-31	CORD, POWER (TH)	
14	1-698-659-11	FAN, DC (EXCEPT AEP,G,IT,UK,CIS,EE)	
17	1-751-688-11	WIRE (FLAT TYPE) (13 CORE) (CIS)	
△ 18	1-569-007-11	ADAPTER, CONVERSION 2P (E,JE,IA)	
△ 18	1-569-008-11	ADAPTER, CONVERSION 2P (EA3,SP,TW)	

Ref. No.	Part No.	Description	Remark
△ 18	1-770-019-11	ADAPTOR, CONVERSION PLUG 3P (HK)	
68	1-773-157-11	WIRE (FLAT TYPE) (21 CORE)	
69	1-765-325-11	WIRE (FLAT TYPE) (11 CORE) (EXCEPT TH,EA4)	
69	1-769-945-11	WIRE (FLAT TYPE) (11 CORE) (TH,EA4)	
77	1-769-977-11	WIRE (FLAT TYPE) (13 CORE)	
257	1-452-538--11	MAGNET	
258	1-776-042-11	WIRE (FLAT TYPE) (8 CORE)	
266	1-776-442-11	WIRE (FLAT TYPE) (19 CORE) (EXCEPT TH)	
△ 301	8-848-367-11	DEVICE, OPTICAL KSS-213BA/F-NP	
302	1-769-069-11	WIRE (FLAT TYPE) (16 CORE)	
△ F1601	1-532-299-00	FUSE (T5AL,250V) (AEP,UK,G,IT,EE,CIS)	
△ F1602	1-532-299-00	FUSE (T5AL,250V) (AEP,UK,G,IT,EE,CIS)	
△ F1603	1-532-350-00	FUSE, (T4AL,250V) (E,EA,SP,JE,HK,IA,MX)	
△ F1603	1-533-420-11	FUSE, GLASS TUBE(5A 125V) (US,CND)	
△ F1604	1-532-203-00	FUSE, (T2AL,250V) (E,EA,JE,HK,AR,MY,AUS,TW)	
FL501	1-517-483-11	INDICATOR TUBE, FLUORESCENT	
HP101	1-500-093-11	HEAD, MAGNETIC (PLAYBACK)	
HRPE101	1-500-094-11	HEAD, MAGNETIC (REC/PB/ERASE)	
M1	X-3371-223-1	MOTOR ASSY (CAPSTAN)	
M2	A-2004-410-A	MOTOR ASSY, DC (TRIGGER)	
M101	X-4917-523-4	BASE OUTSERT ASSY(SPINDL)	
M102	X-4917-504-1	MOTOR ASSY(SLED)	
M701	A-4660-586-A	MOTOR ASSY(TURN)	
M801	A-4660-586-A	MOTOR ASSY(SLIDE)	
S101	1-572-085-11	SWITCH, LEAF (LIMIT SW)	
S851	1-473-335-11	ENCODER, ROTARY	
△ T1601	1-429-294-11	TRANSFORMER, POWER	
△ T1601	1-429-295-11	TRANSFORMER, POWER (US,CND:made in Indonesia)	
△ T1601	1-429-296-11	TRANSFORMER, POWER (AEP,IT,G,UK,EE,CIS:made in Malaysia)	
△ T1601	1-429-297-11	TRANSFORMER, POWER (AEP,IT,G,UK,EE,CIS:made in Indonesia)	
△ T1601	1-429-298-11	TRANSFORMER, POWER (AR,AUS,EA3,E,HK,JE, MX,MY,SP,TW:made in Malaysia/TH,EA4 :made in Thailand)	
△ T1601	1-429-299-11	TRANSFORMER, POWER (AR,AUS,E,HK,MX,SP,IA:made in Indonesia)	

ACCESSORIES & PACKING MATERIALS *****

- 4-980-428-01 CUSHION (FRONT)
- 4-980-429-01 CUSHION (REAR)

The components identified by mark
△ or dotted line with mark △ are
critical for safety.
Replace only with part number
specified.

Les composants identifiés par une
marque △ sont critiques pour la
sécurité.
Ne les remplacer que par une pièce
portant le numéro spécifié.

<u>Ref. No.</u>	<u>Part No.</u>	<u>Description</u>	<u>Remark</u>
***** HARDWARE LIST *****			
#1	7-685-646-79	SCREW +BVTP 3X8 TYPE2 N-S	
#2	7-682-548-04	SCREW +BVTT 3X8 (S)	
#3	7-685-650-79	SCREW +BVTP 3X16 TYPE2 IT-3	
#4	7-685-131-19	SCREW +BTP 2.6X4 TYPE2 N-S	
#5	7-621-775-00	SCREW +B 2.6X3	
#6	7-621-770-67	SCREW +BVTT 2.6X6 (S)	
#7	7-685-534-19	SCREW +BTP 2.6X8 TYPE2 N-S	
#8	7-685-533-19	SCREW +BTP 2.6X6 TYPE2 N-S	
#9	7-621-775-10	SCREW +B 2.6X4	
#10	7-623-921-01	RING, RETAINING, CAPSTAN	
#11	7-621-255-15	SCREW +P 2X3	
#12	7-685-871-01	SCREW +BVTT 3X6 (S)	

HCD-H881/H881D

SONY

SERVICE MANUAL

*US Model
Canadian Model
HCD-H881/H881D
AEP Model
UK Model
E Model
Australian Model
HCD-H881*

SUPPLEMENT - 1

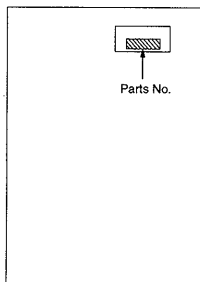
File this Supplement with the Service Manual.

Subject :

1. CORRECTION
2. PARTS CHANGED
3. MODEL ADDITION
(HCD-H881 : Korean, South African model)

(ENG -96012)

**MODEL IDENTIFICATION
– BACK PANEL –**



PARTS No.	MODEL	PRODUCT COUNTRY
4-978-749-0□	H881 : US	Malaysia
4-978-749-1□	H881 : Canadian	Malaysia
4-978-749-2□	H881 : AEP	Malaysia
4-978-749-3□	H881 : UK	Malaysia
4-978-749-4□	H881 : German	Malaysia
4-978-749-5□	H881 : Italian	Malaysia
4-978-749-6□	H881 : East European	Malaysia
4-978-749-7□	H881 : CIS	Malaysia
4-979-268-0□	H881 : E	Malaysia
4-979-268-1□	H881 : Saudi Arabia, Taiwan	Malaysia
4-979-268-2□	H881 : Australian	Malaysia
4-979-268-3□	H881 : Mexican, Korean	Malaysia

PARTS No.	MODEL	PRODUCT COUNTRY
4-979-268-4□	H881 : Malaysia	Malaysia
4-979-268-5□	H881 : Singapore	Malaysia
4-979-268-6□	H881 : Argentine	Malaysia
4-979-268-7□	H881 : Hong Kong	Malaysia
4-979-268-8□	H881 : Tourist	Malaysia
4-979-268-9□	H881 : Thailand, Saudi Arabia, South African	Thailand
4-979-269-0□	H881D:US	Malaysia
4-979-269-1□	H881D: Canadian	Malaysia
4-979-277-0□	H881 : US	Indonesia
4-979-277-1□	H881 : Canadian	Indonesia
4-979-277-2□	H881 : AEP	Indonesia
4-979-277-3□	H881 : UK	Indonesia
4-979-277-4□	H881 : German	Indonesia
4-979-277-5□	H881 : Italian	Indonesia
4-979-277-6□	H881 : East European	Indonesia
4-979-277-7□	H881 : CIS	Indonesia
4-979-278-0□	H881 : E, Indonesia	Indonesia
4-979-278-2□	H881 : Australian	Indonesia
4-979-278-3□	H881 : Mexican	Indonesia
4-979-278-5□	H881 : Singapore	Indonesia
4-979-278-6□	H881 : Argentine	Indonesia
4-979-278-7□	H881 : Hong Kong	Indonesia
4-979-279-0□	H881D:US	Indonesia
4-979-279-1□	H881D: Canadian	Indonesia

Note : The models of HCD-H881 : Korean, South African are added, so please look at this.

1. CORRECTION

Correct your Service Manual as shown below.

NOTE :

● Abbreviation

CND : Canadian	SP : Singapore	AUS : Australian	HK : Hong Kong	AR : Argentine
JE : Tourist	MX : Mexican	IA : Indonesia	TH : Thailand	G : German
EA3/EA4 : Saudi Arabia	IT : Italian	MY : Malaysia	EE : East European	TW : Taiwan
KR : Korean	SAF: South African	E2 : Tuner sections SW band do no exist.		
E3 : Tuner sections SW band exist.				

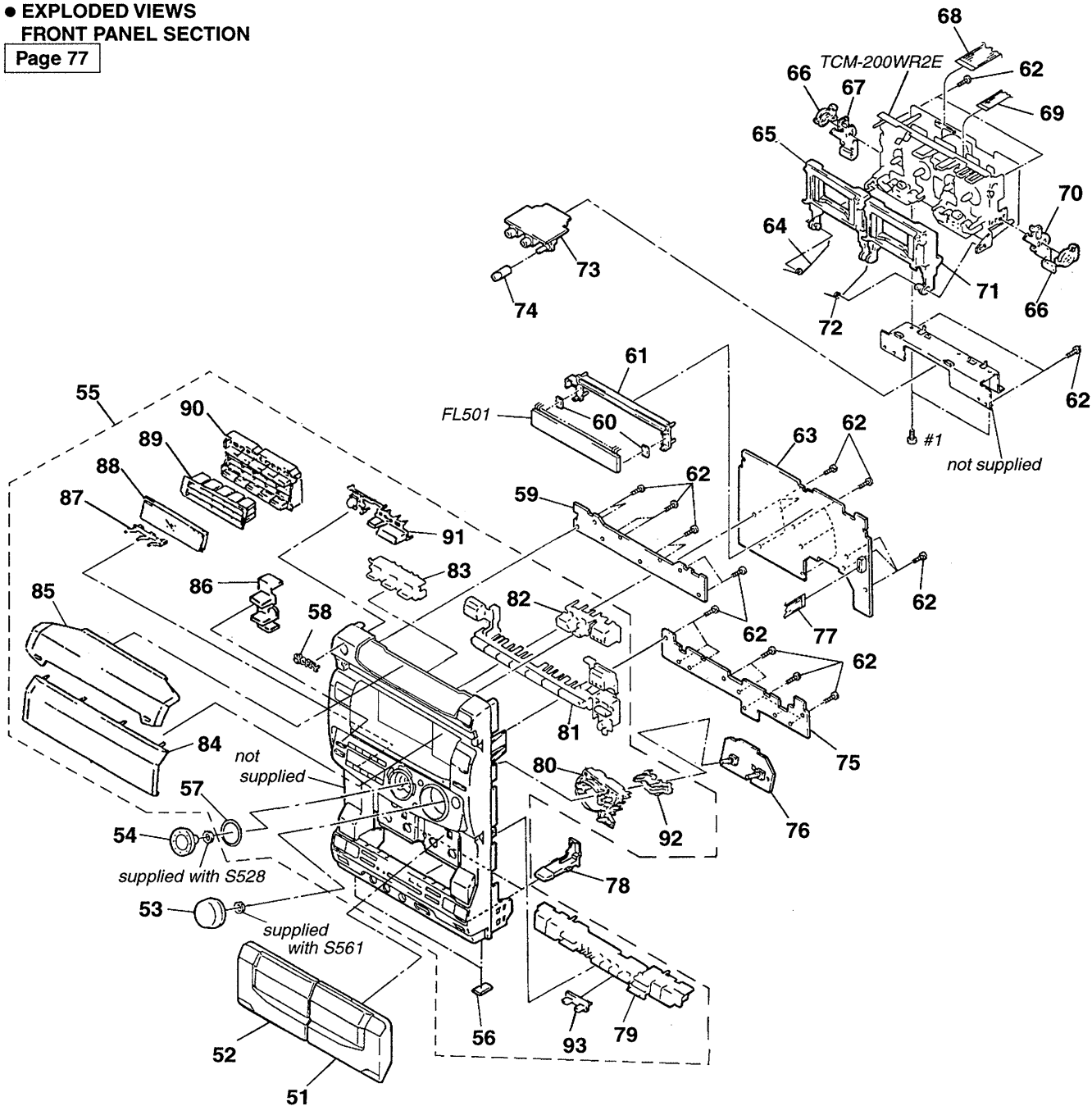
● SCHEMATIC DIAGRAM – MAIN SECTION (1/2) –

Page 40

	US, CND	CIS	AEP, UK	G,IT	JE	EE	AR, MX, E, EA, HK, MY, SP, TW	AUS, TH, KR	SAF
R740	2.2k	22k	10k	6.8k	680	33k	4.7k	22k	—○—
R741	—○—	2.2k	3.3k	3.3k	15k	6.8k	6.8k	22k	OPEN

● EXPLODED VIEWS
FRONT PANEL SECTION

Page 77



Ref. No.	Part No.	Description	Remark	Ref. No.	Part No.	Description	Remark
51	X-4946-662-1	LID (B) ASSY, CASSETTE (EXCEPT made in Indonesia)		* 73	A-4389-031-A	HP/MIC BOARD, COMPLETE (EXCEPT AEP, G, IT, UK)	
51	X-4946-788-1	LID (B) ASSY, CASSETTE (made in Indonesia)		* 73	A-4389-032-A	HP/MIC BOARD, COMPLETE (AEP, G, IT, UK)	
52	X-4946-661-1	LID (A) ASSY, CASSETTE (EXCEPT made in Indonesia)		74	4-973-644-01	KNOB (MIC)	
52	X-4946-787-1	LID (A) ASSY, CASSETTE (made in Indonesia)		* 75	A-4389-030-A	TC-SW BOARD, COMPLETE	
53	4-978-733-01	KNOB, VOL (EXCEPT made in Indonesia)		* 76	A-4389-028-A	JOG BOARD, COMPLETE	
53	4-978-733-11	KNOB, VOL (made in Indonesia)		77	1-769-977-11	WIRE (FLAT TYPE) (13 CORE)	
54	4-978-732-01	KNOB, JOG (EXCEPT made in Indonesia)		78	4-978-731-01	BUTTON, EJECT (EXCEPT made in Indonesia)	
54	4-978-732-11	KNOB, JOG (made in Indonesia)		78	4-978-731-11	BUTTON, EJECT (made in Indonesia)	
55	X-4946-659-2	PANEL ASSY, FRONT (made in Malaysia) (AEP, UK, G, IT, EE)		79	X-4946-700-1	BUTTON, (TC-PLAY) ASSY (EXCEPT made in Indonesia)	
55	X-4946-660-2	PANEL ASSY, FRONT (made in Malaysia) (US, CND, AUS, E, CIS, AR, MX, TW, HK, JE)		79	X-4946-786-1	BUTTON, (TC-PLAY) ASSY (made in Indonesia)	
55	X-4947-003-1	PANEL ASSY, FRONT (made in Indonesia) (AEP, UK, G, IT, EE)		80	X-4946-704-1	BUTTON, (ENTER / NEXT) ASSY (EXCEPT made in Indonesia)	
55	X-4947-016-1	PANEL ASSY, FRONT (made in Indonesia) (US, CND, AUS, E2, CIS, AR, MX, HK, IA)		80	X-4946-785-1	BUTTON, (ENTER / NEXT) ASSY (made in Indonesia)	
55	X-4947-253-1	PANEL ASSY, FRONT (EXCEPT made in Indonesia) (E3, EA, KR, MY, SP, TH, SAF)		81	X-4946-699-1	BUTTON, (TUNER / BAND) ASSY (EXCEPT made in Indonesia)	
55	X-4947-254-1	PANEL ASSY, FRONT (made in Indonesia) (E3, SP)		81	X-4946-784-1	BUTTON, (TUNER / BAND) ASSY (made in Indonesia)	
56	4-930-336-61	FOOT (FELT)		82	X-4946-698-1	BUTTON, (CD-PLAY) ASSY (EXCEPT made in Indonesia)	
57	4-978-745-01	PLATE, ORNAMENTAL, JOG (EXCEPT made in Indonesia)		82	X-4946-782-1	BUTTON, (CD-PLAY) ASSY (made in Indonesia)	
57	4-978-745-31	PLATE, ORNAMENTAL, JOG (made in Indonesia)		83	X-4946-703-1	BUTTON, (3-CD) ASSY (EXCEPT made in Indonesia)	
58	4-962-708-11	EMBLEM (4-A), SONY (EXCEPT made in Indonesia)		83	X-4946-783-1	BUTTON, (3-CD) ASSY (made in Indonesia)	
58	4-962-708-21	EMBLEM (4-A), SONY (made in Indonesia)		84	4-978-716-01	WINDOW, (FL) (EXCEPT made in Indonesia)	
* 59	A-4389-029-A	CD-SW BOARD COMPLETE		84	4-978-716-11	WINDOW, (FL) (made in Indonesia)	
* 60	4-932-810-11	CUSHION (FL)		85	4-978-715-01	WINDOW, (3-CD) (EXCEPT made in Indonesia)	
* 61	4-971-014-11	HOLDER, FL TUBE		85	4-978-715-11	WINDOW, (3-CD) (made in Indonesia)	
62	4-951-620-01	SCREW (2.6X8), +BVTP		86	4-978-725-01	BUTTON, (DSP) (EXCEPT made in Indonesia)	
* 63	A-4389-024-A	PANEL BOARD, COMPLETE (US, CND)		86	4-978-725-11	BUTTON, (DSP) (made in Indonesia)	
* 63	A-4389-025-A	PANEL BOARD, COMPLETE (AEP, G, IT, UK)		87	4-978-739-01	INDICATOR (CLIP)(EXCEPT made in Indonesia)	
* 63	A-4389-026-A	PANEL BOARD, COMPLETE (AR, AUS, EE, E2, MX)		87	4-978-739-11	INDICATOR (CLIP) (made in Indonesia)	
* 63	A-4389-027-A	PANEL BOARD, COMPLETE (EA, E3, HK, JE, MY, SP, CIS, TW, KR)		88	4-978-744-01	PLATE (MULTI), ORNAMENTAL (EXCEPT made in Indonesia) (AEP, UK, G, IT, EE)	
* 63	A-4389-360-A	PANEL BOARD, COMPLETE (TH, SAF)		88	4-978-744-11	PLATE (MULTI), ORNAMENTAL (EXCEPT made in Indonesia) (EXCEPT AEP, UK, G, IT, EE)	
64	4-959-231-11	SPRING (L), TORSION		88	4-978-744-51	PLATE (MULTI), ORNAMENTAL (made in Indonesia) (AEP, UK, G, IT, EE)	
65	X-4946-663-1	HOLDER (L) ASSY, CASSETTE (EXCEPT made in Indonesia)		88	4-978-744-61	PLATE (MULTI), ORNAMENTAL (made in Indonesia) (EXCEPT AEP, UK, G, IT, EE)	
65	X-4946-789-1	HOLDER (L) ASSY, CASSETTE (made in Indonesia)		89	4-978-742-01	HOLDER (MULTI), LED (EXCEPT made in Indonesia)	
66	3-354-957-01	JOINT (LOCK LEVER)		89	4-978-742-11	HOLDER (MULTI), LED (made in Indonesia)	
* 67	3-354-953-01	LEVER (LOCK LEVER L)		90	4-978-728-01	BUTTON, (MULTI) (EXCEPT made in Indonesia)	
68	1-773-157-11	WIRE (FLAT TYPE) (21 CORE)		90	4-978-728-11	BUTTON, (MULTI) (made in Indonesia)	
69	1-765-325-11	WIRE (FLAT TYPE) (11 CORE) (EXCEPT made in Thailand)		91	4-978-723-01	BUTTON, (POWER) (EXCEPT made in Indonesia)	
69	1-769-945-11	WIRE (FLAT TYPE) (11 CORE) (made in Thailand)		91	4-978-723-21	BUTTON, (POWER) (made in Indonesia)	
* 70	3-354-954-01	LEVER (LOCK LEVER R)		92	4-978-741-01	INDICATOR (JOG-B) (EXCEPT made in Indonesia)	
71	X-4946-664-1	HOLDER (R) ASSY, CASSETTE (EXCEPT made in Indonesia)		92	4-978-741-11	INDICATOR (JOG-B) (made in Indonesia)	
71	X-4946-790-1	HOLDER (R) ASSY, CASSETTE (made in Indonesia)		93	4-978-736-01	INDICATOR (REC) (EXCEPT made in Indonesia)	
72	4-959-232-11	SPRING (R), TORSION		93	4-978-736-11	INDICATOR (REC) (made in Indonesia)	
				FL501	1-517-483-11	INDICATOR TUBE, FLUORESCENT	

Page	INCORRECT				CORRECT			
	Ref. No.	Part No.	Description	Remark	Ref. No.	Part No.	Description	Remark
76	*** EXPLODED VIEWS ***				*** EXPLODED VIEWS ***			
	7	4-979-268-91	PANEL,BACK (made in Thailand)		7	4-979-268-91	PANEL,BACK (made in Thailand) (TH EA, SAF)	
	* 9	A-4389-052-A	MAIN BOARD, COMPLETE (AUS, TH)		* 9	A-4389-052-A	MAIN BOARD, COMPLETE (AUS)	
					* 9	A-4389-368-A	MAIN BOARD, COMPLETE (TH)	
87	*** ELECTRICAL PARTS LIST ***				*** ELECTRICAL PARTS LIST ***			
	* A-4389-052-A		MAIN BOARD, COMPLETE (AUS, TH)		* A-4389-052-A		MAIN BOARD, COMPLETE (AUS)	
					* A-4389-368-A		MAIN BOARD, COMPLETE (TH)	
89	* CN250	1-568-834-11	SOCKET, CONNECTOR 15P (EXCEPT US, CND, E2, AUS, AR, MX)		* CN250	1-568-834-11	SOCKET, CONNECTOR 15P (EXCEPT US, CND, E2, AUS, AR, MX, TH)	
	* CN250	1-568-832-11	SOCKET, CONNECTOR 13P (US, CND, E2, AUS, AR, MX)		* CN250	1-568-832-11	SOCKET, CONNECTOR 13P (US, CND, E2, AUS, AR, MX, TH)	
91	R740	1-249-415-11	CARBON 680 5% 1/4W (JE)		R740	1-249-415-11	CARBON 680 5% 1/4W (JE)	
	R740	1-249-423-11	CARBON 3.3K 5% 1/4W (AUS)		R740	1-249-421-11	CARBON 2.2K 5% 1/4W (US, CND)	
	R740	1-249-427-11	CARBON 6.8K 5% 1/4W (G, IT, AR, MX, E2, H881D : US, CND)		R740	1-249-427-11	CARBON 6.8K 5% 1/4W (G, IT)	
	R740	1-249-429-11	CARBON 10K 5% 1/4W (AEP, UK)		R740	1-249-429-11	CARBON 10K 5% 1/4W(AEP,UK)	
	R740	1-249-433-11	CARBON 22K 5% 1/4W (CIS)		R740	1-249-433-11	CARBON 22K 5% 1/4W (CIS, AUS, TH)	
	R740	1-249-435-11	CARBON 33K 5% 1/4W (EE)		R740	1-249-435-11	CARBON 33K 5% 1/4W (EE)	
	R740	1-249-245-11	CARBON 4.7K 5% 1/4W (AR, MX, E, EA, HK, MY, SP, TW)		R740	1-249-245-11	CARBON 4.7K 5% 1/4W (AR, MX, E, EA, HK, MY, SP, TW)	
	R741	1-249-421-11	CARBON 2.2K 5% 1/4W (CIS)		R741	1-249-421-11	CARBON 2.2K 5% 1/4W (CIS)	
	R741	1-249-423-11	CARBON 3.3K 5% 1/4W (AEP, G, IT, UK)		R741	1-249-423-11	CARBON 3.3K 5% 1/4W (AEP, UK, G, IT)	
	R741	1-249-425-11	CARBON 4.7K 5% 1/4W (AR, MX, E2, H881D : US, CND)		R741	1-249-427-11	CARBON 6.8K 5% 1/4W (EE, AR, MX, E, EA, HK, MY, SP, TW)	
	R741	1-249-427-11	CARBON 6.8K 5% 1/4W (EE)		R741	1-249-431-11	CARBON 15K 5% 1/4W (JE)	
	R741	1-249-429-11	CARBON 10K 5% 1/4W (AUS)		R741	1-249-433-11	CARBON 22K 5% 1/4W (AUS, TH)	
	R741	1-249-431-11	CARBON 15K 5% 1/4W (JE)		R741		(JUMPER WIRE) (US, CND)	

2. CHANGED ELECTRICAL PARTS LIST

Page	FORMER				NEW			
	Ref. No.	Part No.	Description	Remark	Ref. No.	Part No.	Description	Remark
	*** MAIN BOARD ***				*** MAIN BOARD ***			
89	IC701	8-759-375-44	IC TMP87CS64YF-6361		IC701	8-759-432-99	IC TMP87CS64YF-6417	

3. MODEL ADDITION (HCD-H881 : Korean, South African model)

SPECIFICATIONS (KR, South African model)

Tuner section

FM tuner section

Tuning range 87.5-108MHz

AM tuner section

Tuning range Korean model MW : 531-1,602kHz (9kHz step)
 South African model MW : 531-1,602kHz (9kHz step)
 : 530-1,710kHz (10kHz step)
 SW : 5.95-17.90MHz

General

Power requirements Korean model : 220V AC, 60Hz
 South African model : 220V AC, 50/60Hz

Power consumption 190W

Dimensions Approx. 280 X 325 X 360mm
 (11¹/₈ X 12⁷/₈ X 14¹/₄ in) (w/h/d)

Mass Approx. 9.0kg (19 lb 14oz)

Design and specifications are subject to change without notice.

EXPLODED VIEWS

- For detailed KR model, refer to E2 model.
- For detailed SAF model, refer to TH model.

Difference table

Page	HCD-H881 : E2 model				HCD-H881 : KR model			
	Ref. No.	Part No.	Description	Remark	Ref. No.	Part No.	Description	Remark
76	*** EXPLODED VIEWS ***				*** EXPLODED VIEWS ***			
	*	7	4-979-268-01	PANEL, BACK (made in Malaysia)	*	7	4-979-268-31	PANEL, BACK (made in Malaysia)
	*	7	4-979-278-01	PANEL, BACK (made in Indonesia)				
		10	3-703-571-11	BUSHING (S) (4516),CORD		10	3-703-244-00	BUSHING (2104), CORD
	△	12	1-575-653-11	CORD, POWER	△	12	1-769-079-21	CORD, POWER
	△	F1601	_____		△	F1601	1-532-505-31	FUSE (T5AL, 250V)
	△	F1602	_____		△	F1602	1-532-505-31	FUSE (T5AL, 250V)
104	*** MISCELLANEOUS ***				*** MISCELLANEOUS ***			
	△	12	1-575-653-11	CORD, POWER	△	12	1-769-079-21	CORD, POWER
	△	F1601	_____		△	F1601	1-532-505-31	FUSE (T5AL, 250V)
	△	F1602	_____		△	F1602	1-532-505-31	FUSE (T5AL, 250V)

Page	HCD-H881 : TH model				HCD-H881 : SAF model			
	Ref. No.	Part No.	Description	Remark	Ref. No.	Part No.	Description	Remark
76	*** EXPLODED VIEWS ***				*** EXPLODED VIEWS ***			
		10	3-703-571-11	BUSHING (S) (4516),CORD		10	3-703-244-00	BUSHING (2104), CORD
	△	12	1-751-326-31	CORD, POWER	△	12	1-575-651-61	CORD, POWER
104	*** MISCELLANEOUS ***				*** MISCELLANEOUS ***			
	△	12	1-751-326-31	CORD, POWER	△	12	1-575-651-61	CORD, POWER
	*** ACCESSORIES & PACKING MATERIALS ***				*** ACCESSORIES & PACKING MATERIALS***			
			_____		*	4-985-201-01	INDIVIDUAL CARTON	
		_____			3-810-535-22	MANUAL INSTRUCTION (ENGLISH)		
		_____			8-917-537-90	REMOTE COMMANDER (RM-SD50)		
		_____			4-979-371-01	COVER, BATTERY (FOR RM-SD50)		

Note :

- Abbreviation
 KR : Korean
 SAF : South America
 TH : Thailand

The components identified by mark △ or dotted line with mark △ are critical for safety. Replace only with part number specified.	Les composants identifiés par une marque △ sont critiques pour la sécurité. Ne les remplacer que par une pièce portant le numéro spécifié.
---	---

ELECTRICAL PARTSLIST

● KR model

For details KR model excepting MAIN, TCB, TRANS board, refer to E3 model.

For details KR model MAIN board, refer to E2 model.

As for differences of MAIN, TCB, TRANS board between KR model and E2 model, refer to the following table.

Difference table

Page	HCD-H881 : E2 model								HCD-H881 : KR model								
	Ref. No.	Part No.	Description					Remark	Ref. No.	Part No.	Description					Remark	
87	*** ELECTRICAL PARTS LIST ***								*** ELECTRICAL PARTS LIST ***								
	*	A-4389-050-A	MAIN BOARD, COMPLETE						*	A-4392-816-A	MAIN BOARD, COMPLETE						
91	R740	1-249-425-11	CARBON	4.7K	5%	1/4W	F	R740	1-249-433-11	CARBON	22K	5%	1/4W	F			
	R741	1-249-427-11	CARBON	6.8K	5%	1/4W	F	R741	1-249-433-11	CARBON	22K	5%	1/4W	F			
101	*	A-4303-524-A	TCB BOARD, COMPLETE						*	1-233-545-11	ENCAPSLATED COMPLETE, FM /AM TUNER * NOTE						
104	*	1-659-116-11	TRANS BOARD						*	1-659-116-11	TRANS BOARD						
	△	F1601							△	F1601	1-532-505-31	FUSE (T5AL, 250V)					
	△	F1602							△	F1602	1-532-505-31	FUSE (T5AL, 250V)					

Note : The FM/AM Tuner comes complete as one assembled block so no adjustment is required.

● SA model

For details SAF model excepting MAIN, TCB, board, refer to TH model.

For details SAF model MAIN board, refer to TH model.

As for differences of MAIN board between SAF model and TH model, refer to the following table.

Difference table

Page	HCD-H881 : TH model								HCD-H881 : SAF model							
	Ref. No.	Part No.	Description					Remark	Ref. No.	Part No.	Description					Remark
87	*** ELECTRICAL PARTS LIST ***								*** ELECTRICAL PARTS LIST ***							
	*	A-4389-368-A	MAIN BOARD, COMPLETE						*	A-4390-771-A	MAIN BOARD, COMPLETE					
89	CN250	1-568-832-11	SOCKET, CONNECTOR 13P						CN250	1-568-834-11	SOCKET, CONNECTOR 15P					
									D707	8-719-987-63	DIODE 1N4148M					
91	R740	1-249-433-11	CARBON	22K	5%	1/4W	F	R708	1-249-429-11	CARBON	10K	5%	1/4W			
	R741	1-249-433-11	CARBON	22K	5%	1/4W	F	R740	(JUMPER WIRE)							
									R741	(NOT USED)						

For detailed SAF model TCB board, refer to E3 model.

As for differences of TCB board between SAF model and E3 model, refer to the following table.

Page	HCD-H881 : E3 model								HCD-H881 : SAF model							
	Ref. No.	Part No.	Description					Remark	Ref. No.	Part No.	Description					Remark
99	*** ELECTRICAL PARTS LIST ***								*** ELECTRICAL PARTS LIST ***							
	*	A-4303-518-A	TCB BOARD, COMPLETE						*	A-4330-042-A	TCB BOARD, COMPLETE					
	C23	1-163-235-11	CERAMIC CHIP	22P	5%	50V		C23	1-163-102-00	CERAMIC CHIP	24P	5%	50V			
	C24	1-163-239-11	CERAMIC CHIP	33P	5%	50V		C24	1-163-102-00	CERAMIC CHIP	24P	5%	50V			
101	X21	1-760-549-31	VIBRATOR, CRYSTAL (4.5MHz)						X21	1-567-713-11	VIBRATOR, CRYSTAL (4.5MHz)					

Sony Corporation

Home A&V Products Company