

# SS-VZ50MD/ZX10/ZX30AV/ ZX50MD/ZX70DVD

## SERVICE MANUAL



This set is the speaker system in  
MHC-ZX10/ZX30AV/ZX70DVD,  
DHC-VZ50MD/ZX50MD.

Photo: SS-ZX10

*US Model*  
SS-ZX10/ZX50MD/ZX70DVD

*Canadian Model*  
SS-ZX10/ZX30AV/ZX70DVD

*AEP Model*

*UK Model*

SS-ZX10/ZX30AV/ZX50MD/ZX70DVD

*E Model*

SS-VZ50MD/ZX50MD

*Australian Model*

SS-ZX30AV/ZX50MD

*Tourist Model*

SS-VZ50MD

### SPECIFICATIONS

Speaker system	3-way, bass-reflex type, magnetically shielded type
Speaker units	
Woofer:	17 cm, cone type
Tweeter:	5 cm, cone type
Super Tweeter:	4 cm, cone type
Nominal impedance	8 ohms
Dimensions (w/h/d)	Approx. 250 x 375 x 285 mm
Mass	Approx. 5.5 kg net per speaker

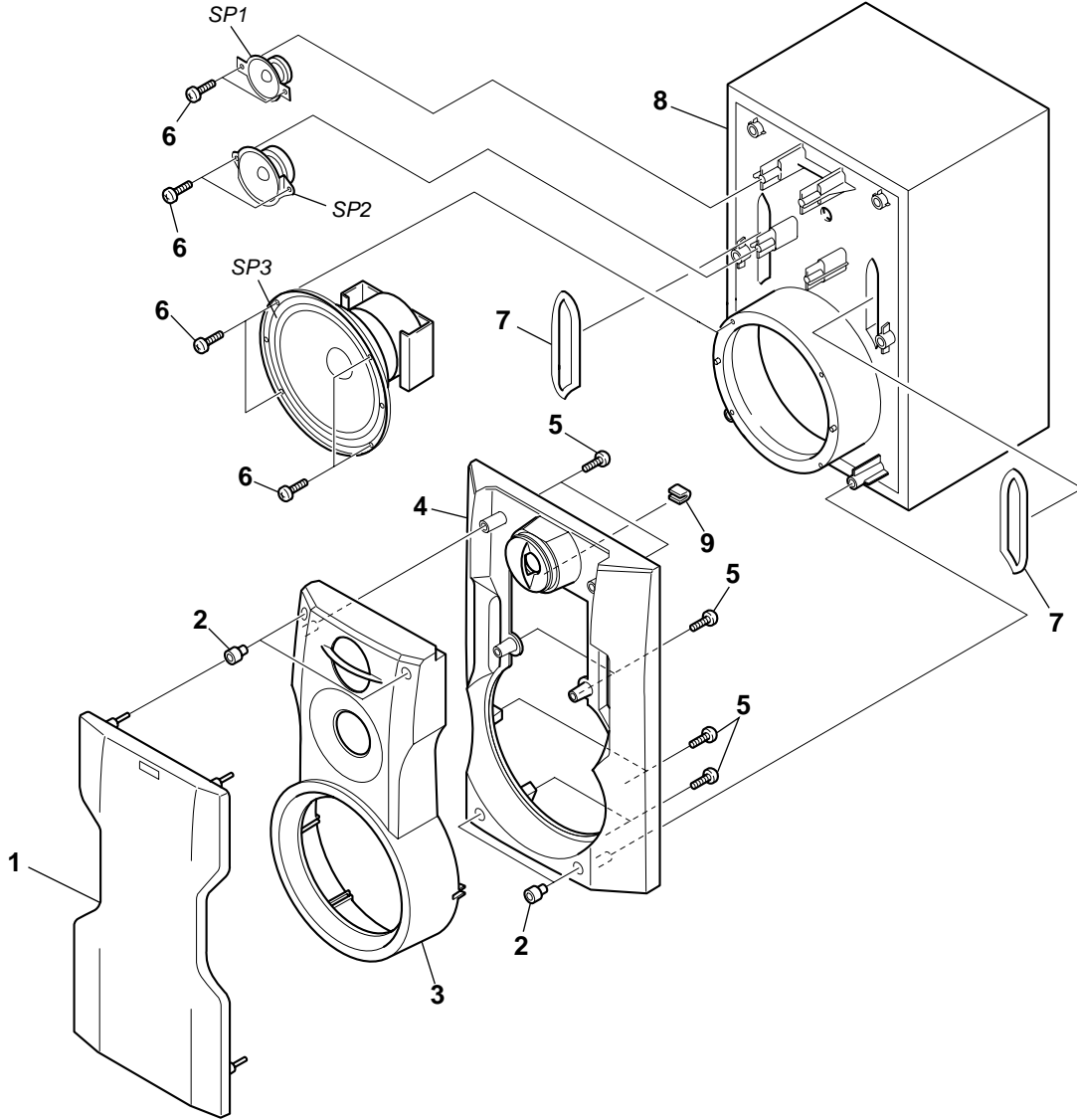
**SPEAKER SYSTEM**

**SONY®**

**EXPLODED VIEW AND PARTS LIST**

**NOTE:**

- The mechanical parts with no reference number in the exploded views are not supplied.
- Abbreviation  
 G : German model  
 AED : North European model



Ref. No.	Part No.	Description	Remark	Ref. No.	Part No.	Description	Remark
1	A-4412-073-A	FRAME ASSY, GRILLE		SP2	1-529-665-11	SPEAKER (5cm)	
2	4-963-075-01	CATCH		SP3	1-529-664-11	SPEAKER (ZX10,ZX50MD)	
3	4-227-595-01	PANEL, ORNAMENTAL		SP3	1-529-668-11	SPEAKER (VZ50MD,ZX30AV,ZX70DVD)	
4	4-227-594-01	PANEL, FRONT		*****			
5	7-685-162-01	SCREW +B 4X14, TAPPING		ACCESSORIES & PACKING MATERIALS			
6	4-874-614-01	SCREW (4) (3.5X14), TAPPING		*****			
7	4-227-663-01	PACKING		1-558-848-11	CORD, SPEAKER		
8	A-4412-154-A	CABINET ASSY, SPEAKER					
9	4-229-552-01	PACKING (TW)					
SP1	1-529-663-11	SPEAKER (4cm)					