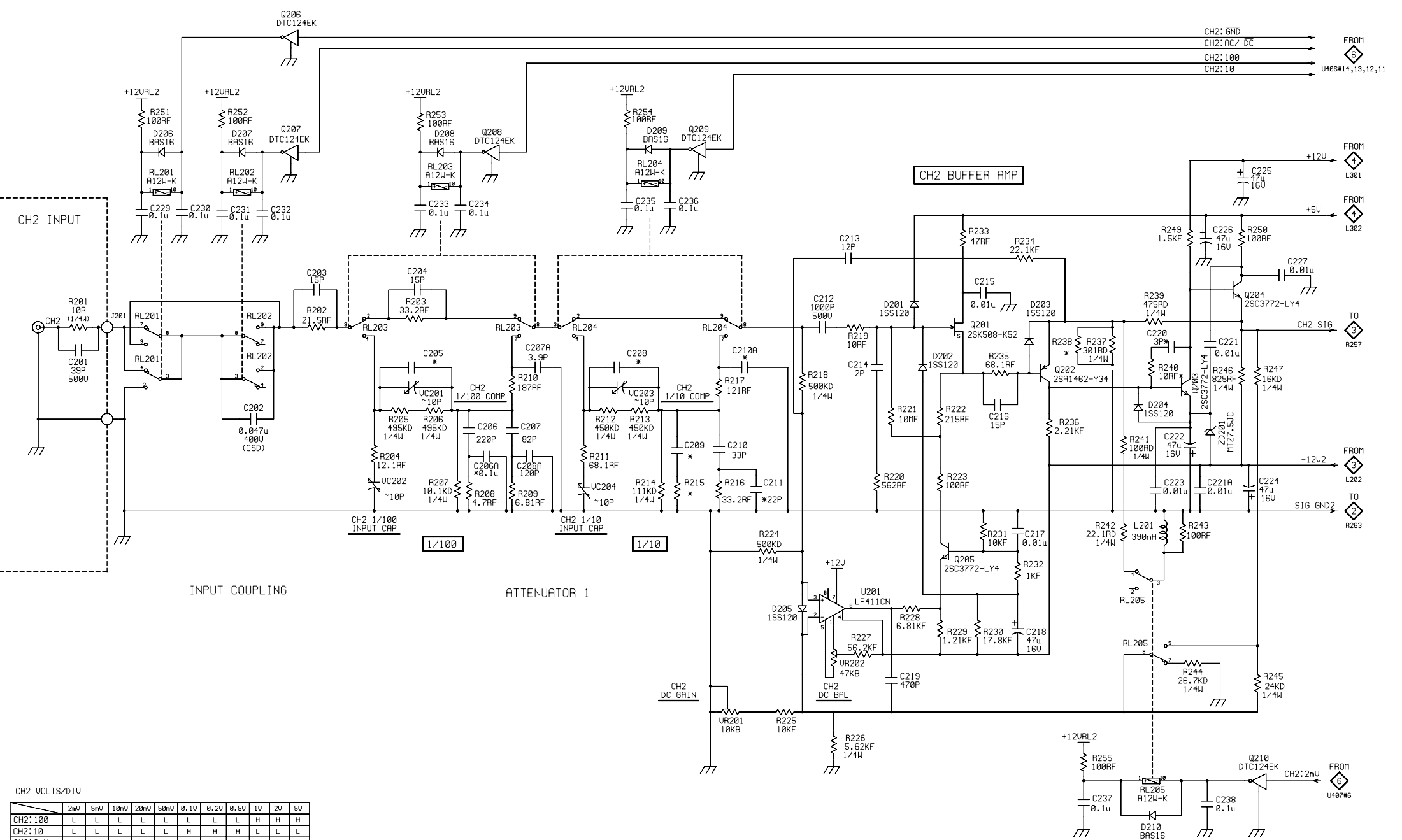


CH1 VOLTS/DIV

	2mV	5mV	10mV	20mV	50mV	0.1V	0.2V	0.5V	1V	2V	5V
CH1:100	L	L	L	L	L	L	L	L	H	H	H
CH1:10	L	L	L	L	L	H	H	H	L	L	L
CH1:2mV	H	L	L	L	L	L	L	L	L	L	L
CH1:ATT1	H	H	L	L	L	L	L	L	L	L	L
CH1:ATT2	L	L	H	L	L	H	L	L	H	L	L
CH1:ATT4	L	L	L	H	L	L	H	L	L	L	L
CH1:ATT10	L	L	L	L	H	L	L	H	L	L	H

OS08P01C.PCB

DRAWN BY	CHECKED BY	APPROVED BY	MODEL NO	GOS-6103/6112
			DESCRIPTION	CH1 INPUT
			DRAWING NO	OS08S01G REV:G

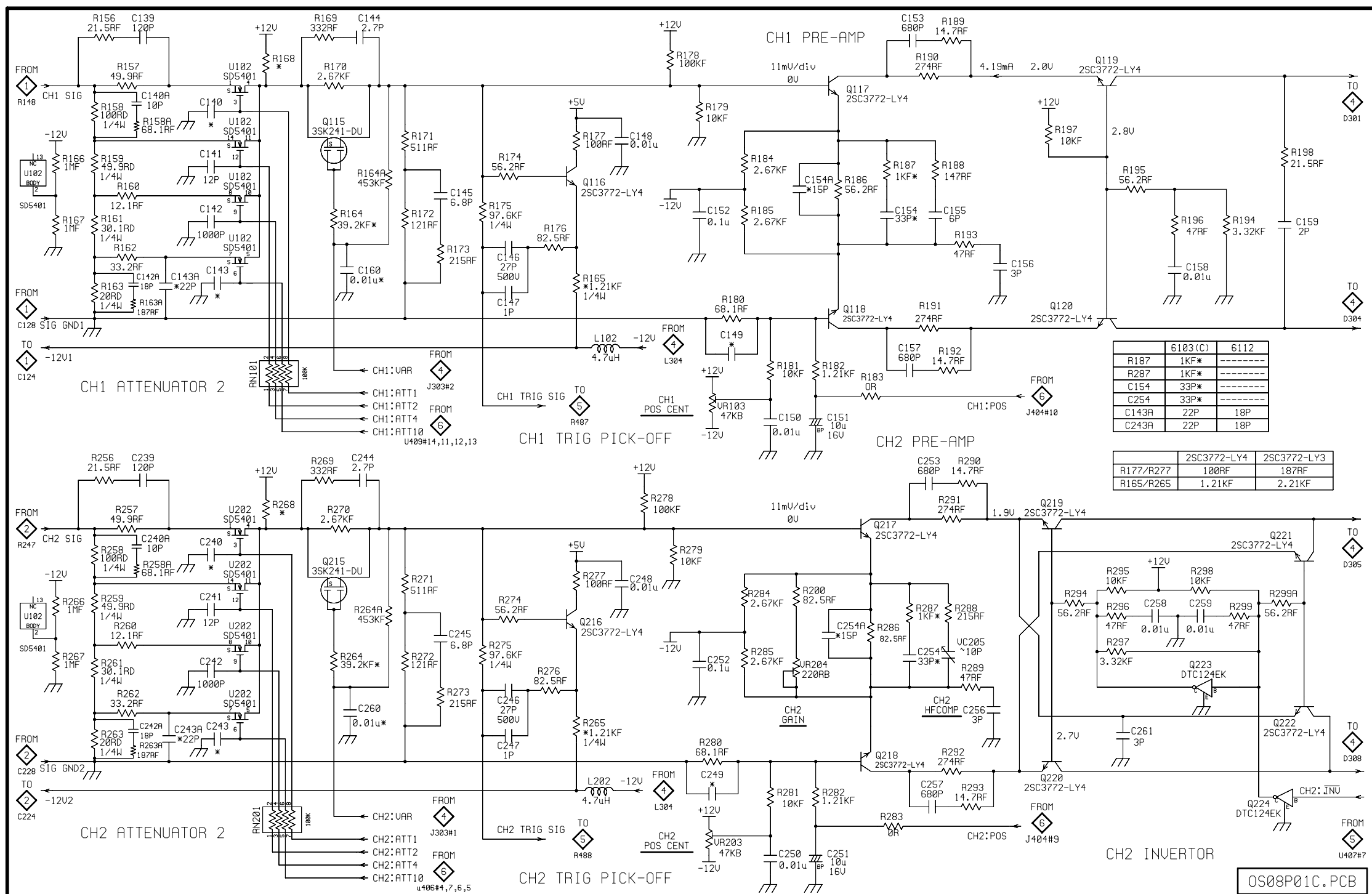


CH2 VOLTS/DIV

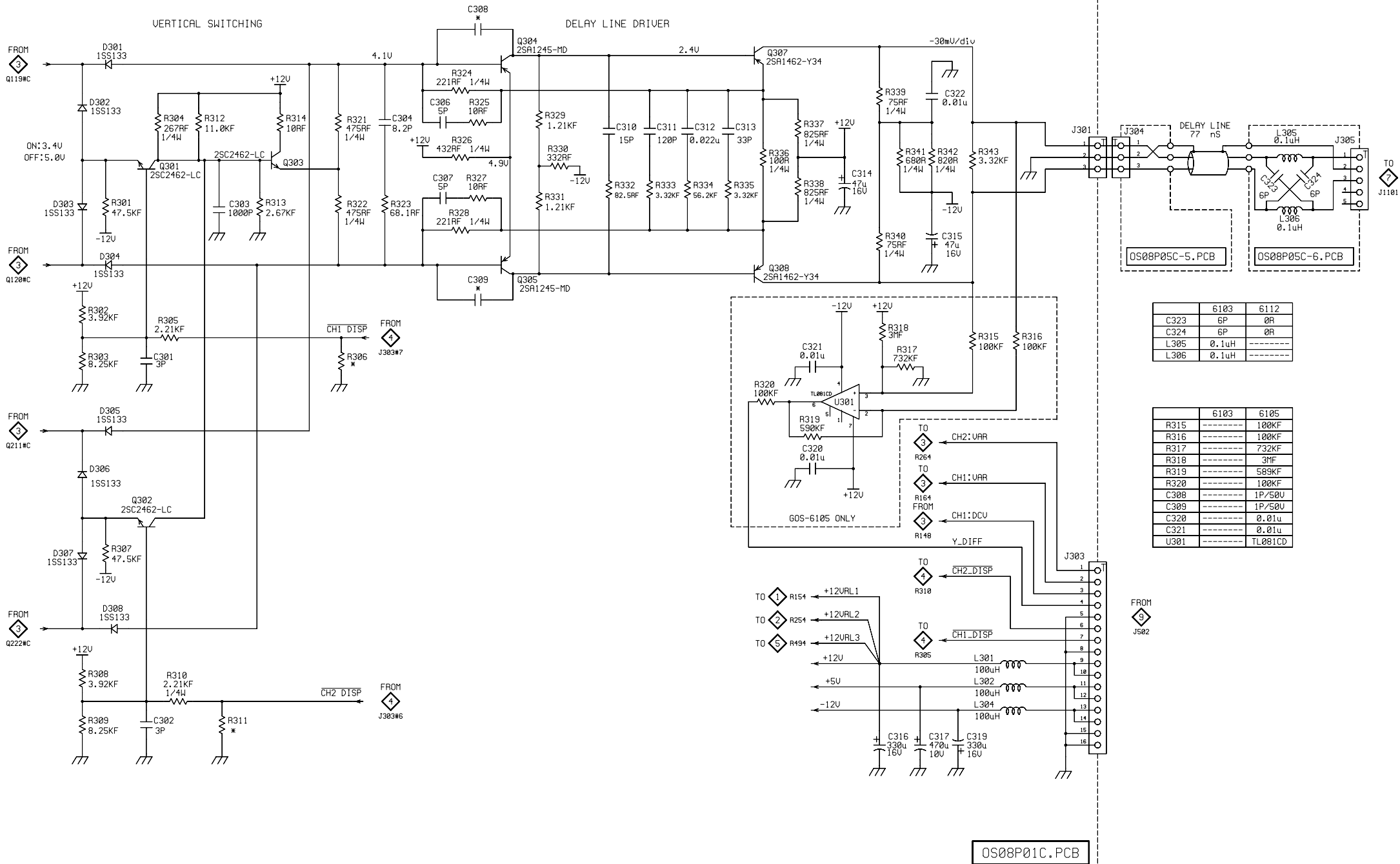
	2mV	5mV	10mV	20mV	50mV	0.1V	0.2V	0.5V	1V	2V	5V
CH2:100	L	L	L	L	L	L	L	L	H	H	H
CH2:10	L	L	L	L	L	H	H	H	L	L	L
CH2:2mV	H	L	L	L	L	L	L	L	L	L	L
CH2:ATT1	H	H	L	L	L	L	L	L	L	L	L
CH2:ATT2	L	L	H	L	L	H	L	L	H	L	L
CH2:ATT4	L	L	L	H	L	L	H	L	L	H	L
CH2:ATT10	L	L	L	L	H	L	L	H	L	L	H

OS08P01C.PCB

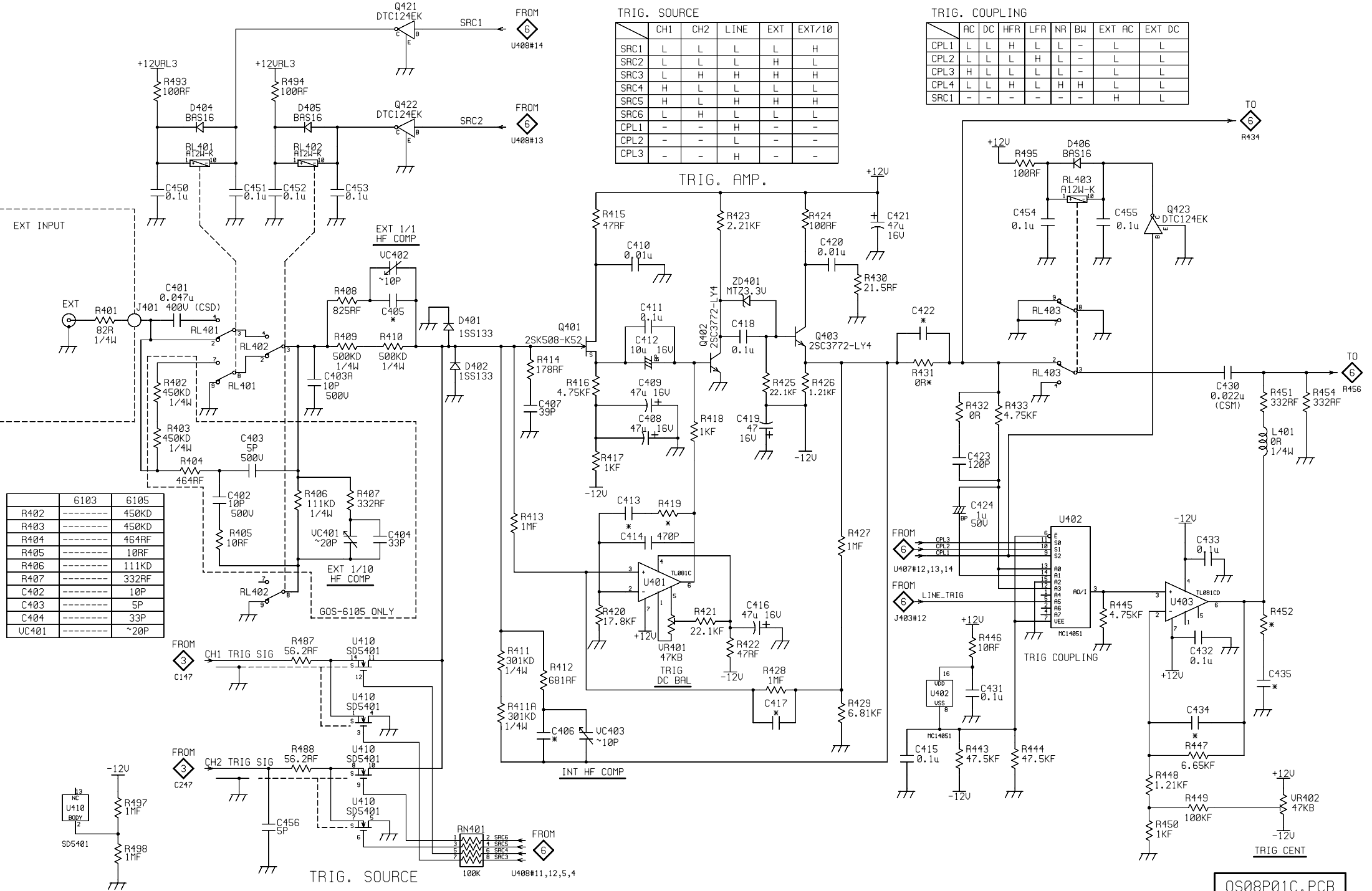
DRAWN BY	CHECKED BY	APPROVED BY	MODEL NO	GOS-6103/6112
			DESCRIPTION	CH2 INPUT
			DRAWING NO	OS08S02G REV:G



DRAWN BY	CHECKED BY	APPROVED BY	MODEL NO	GOS-6103(C)/6112
			DESCRIPTION	CH1/CH2-AMP
			DRAWING NO	OS08S03G
			REV.	G-1



DRAWN BY	CHECKED BY	APPROVED BY	MODEL NO	GOS-6103/6112
			DESCRIPTION	VERTICAT SWITCHING
			DRAWING NO	OS08S04G REV:G



TRIG. SOURCE

	CH1	CH2	LINE	EXT	EXT/10
SRC1	L	L	L	L	H
SRC2	L	L	L	H	L
SRC3	L	H	H	H	H
SRC4	H	L	L	L	L
SRC5	H	L	H	H	H
SRC6	L	H	L	L	L
CPL1	-	-	H	-	-
CPL2	-	-	L	-	-
CPL3	-	-	H	-	-

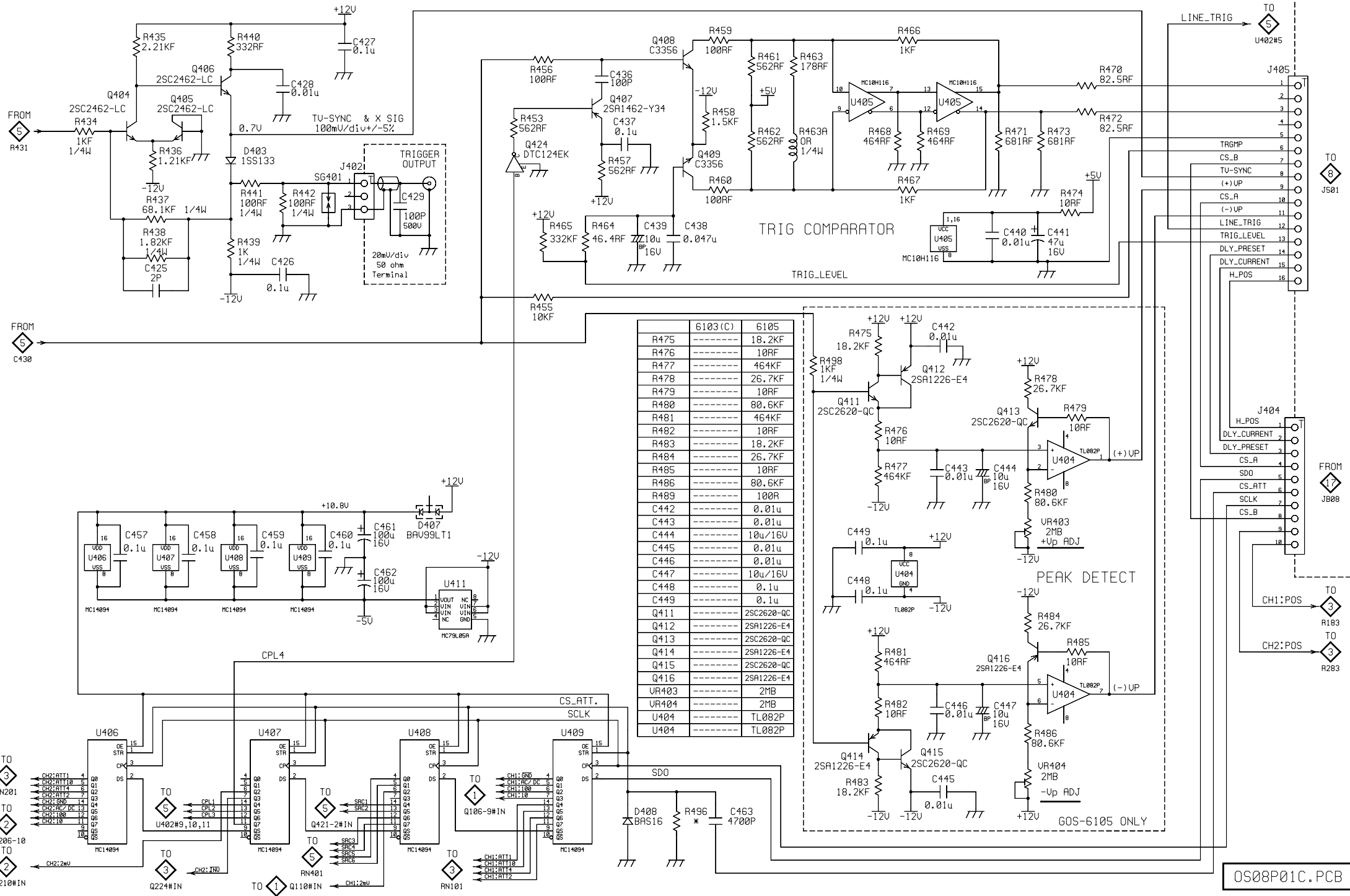
TRIG. COUPLING

	AC	DC	HFR	LFR	NR	BW	EXT AC	EXT DC
CPL1	L	L	H	L	L	-	L	L
CPL2	L	L	L	H	L	-	L	L
CPL3	H	L	L	L	L	-	L	L
CPL4	L	L	H	L	H	H	L	L
SRC1	-	-	-	-	-	-	H	L

	6103	6105
R402	-----	450KD
R403	-----	450KD
R404	-----	464RF
R405	-----	10RF
R406	-----	111KD
R407	-----	332RF
C402	-----	10P
C403	-----	5P
C404	-----	33P
UC401	-----	~20P

OS08P01C.PCB

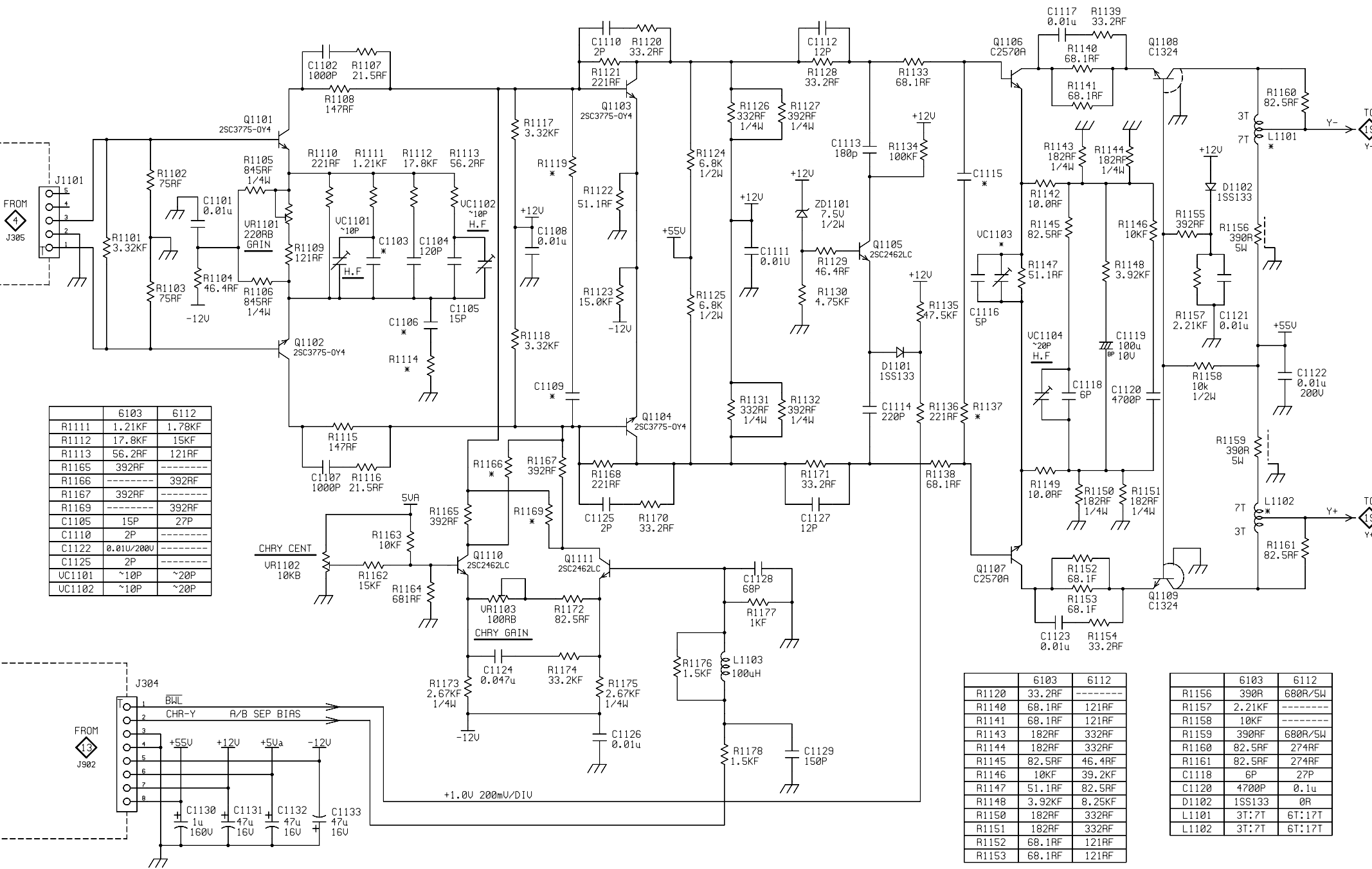
DRAWN BY	CHECKED BY	APPROVED BY	MODEL NO	GOS-6103/6112
			DESCRIPTION	SOURCE&COUPLING
			DRAWING NO	OS08S05G
			REV:	G



	6103 (C)	6105
R475	-----	18.2KF
R476	-----	10RF
R477	-----	464KF
R478	-----	26.7KF
R479	-----	10RF
R480	-----	80.6KF
R481	-----	464KF
R482	-----	10RF
R483	-----	18.2KF
R484	-----	26.7KF
R485	-----	10RF
R486	-----	80.6KF
R489	-----	100R
C442	-----	0.01u
C443	-----	0.01u
C444	-----	10u/16V
C445	-----	0.01u
C446	-----	0.01u
C447	-----	10u/16V
C448	-----	0.1u
C449	-----	0.1u
Q411	-----	2SC2620-QC
Q412	-----	2SA1226-E4
Q413	-----	2SC2620-QC
Q414	-----	2SA1226-E4
Q415	-----	2SC2620-QC
Q416	-----	2SA1226-E4
VR403	-----	2MB
VR404	-----	2MB
U404	-----	TL082P
U404	-----	TL082P

OS08P01C.PCB

DRAWN BY	CHECKED BY	APPROVED BY	MODEL NO	GOS-6103 (C) / 6112
			DESCRIPTION	TRIG-SYSTEM
			DRAWING NO	OS08S06G
			REV:	G



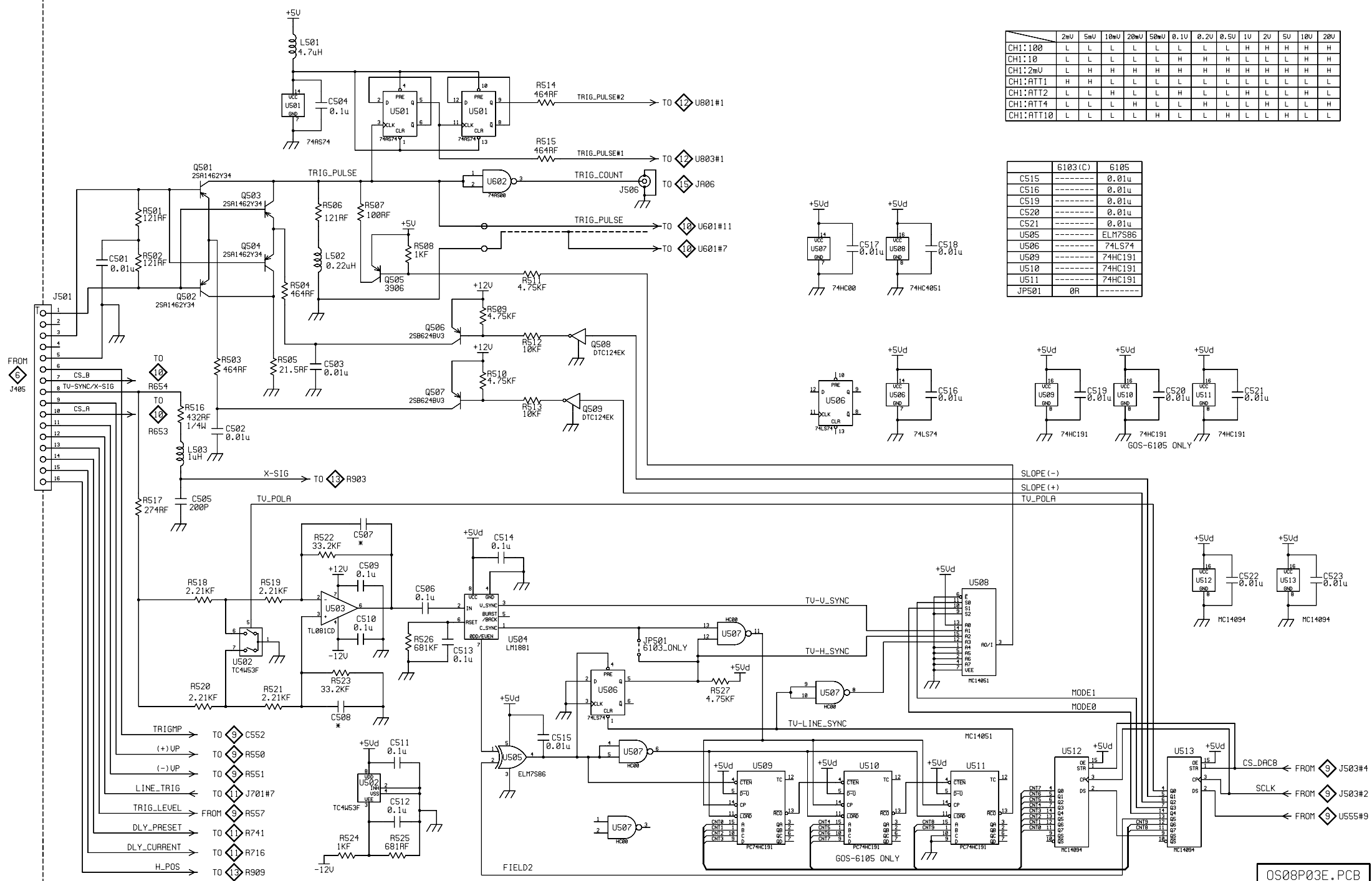
	6103	6112
R1111	1.21KF	1.78KF
R1112	17.8KF	15KF
R1113	56.2RF	121RF
R1165	392RF	-----
R1166	-----	392RF
R1167	392RF	-----
R1169	-----	392RF
C1105	15P	27P
C1110	2P	-----
C1122	0.01u/200V	-----
C1125	2P	-----
UC1101	~10P	~20P
UC1102	~10P	~20P

	6103	6112
R1120	33.2RF	-----
R1140	68.1RF	121RF
R1141	68.1RF	121RF
R1143	182RF	332RF
R1144	182RF	332RF
R1145	82.5RF	46.4RF
R1146	10KF	39.2KF
R1147	51.1RF	82.5RF
R1148	3.92KF	8.25KF
R1150	182RF	332RF
R1151	182RF	332RF
R1152	68.1RF	121RF
R1153	68.1RF	121RF

	6103	6112
R1156	390R	680R/5W
R1157	2.21KF	-----
R1158	10KF	-----
R1159	390RF	680R/5W
R1160	82.5RF	274RF
R1161	82.5RF	274RF
C1118	6P	27P
C1120	4700P	0.1u
D1102	1SS133	0R
L1101	3T:7T	6T:17T
L1102	3T:7T	6T:17T

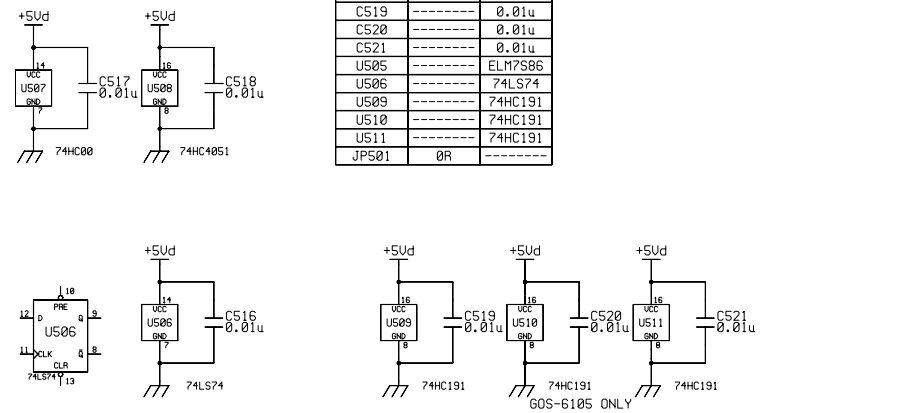
OS08P05F-7.PCB

DRAWN BY	CHECKED BY	APPROVED BY	MODEL NO	GOS-6103/6112
			DESCRIPTION	V. OUT AMP
			DRAWING NO	OS08S07G
				REV:G



	2mV	5mV	10mV	20mV	50mV	0.1V	0.2V	0.5V	1V	2V	5V	10V	20V
CHI:100	L	L	L	L	L	L	L	L	H	H	H	H	H
CHI:10	L	L	L	L	L	H	H	H	L	L	L	L	H
CHI:2mV	L	H	H	H	H	H	H	H	H	H	H	H	H
CHI:ATT1	H	H	L	L	L	L	L	L	L	L	L	L	L
CHI:ATT2	L	L	L	H	L	L	L	L	L	L	L	L	L
CHI:ATT4	L	L	L	H	L	L	L	L	L	L	L	L	L
CHI:ATT10	L	L	L	L	H	L	L	L	L	L	L	L	L

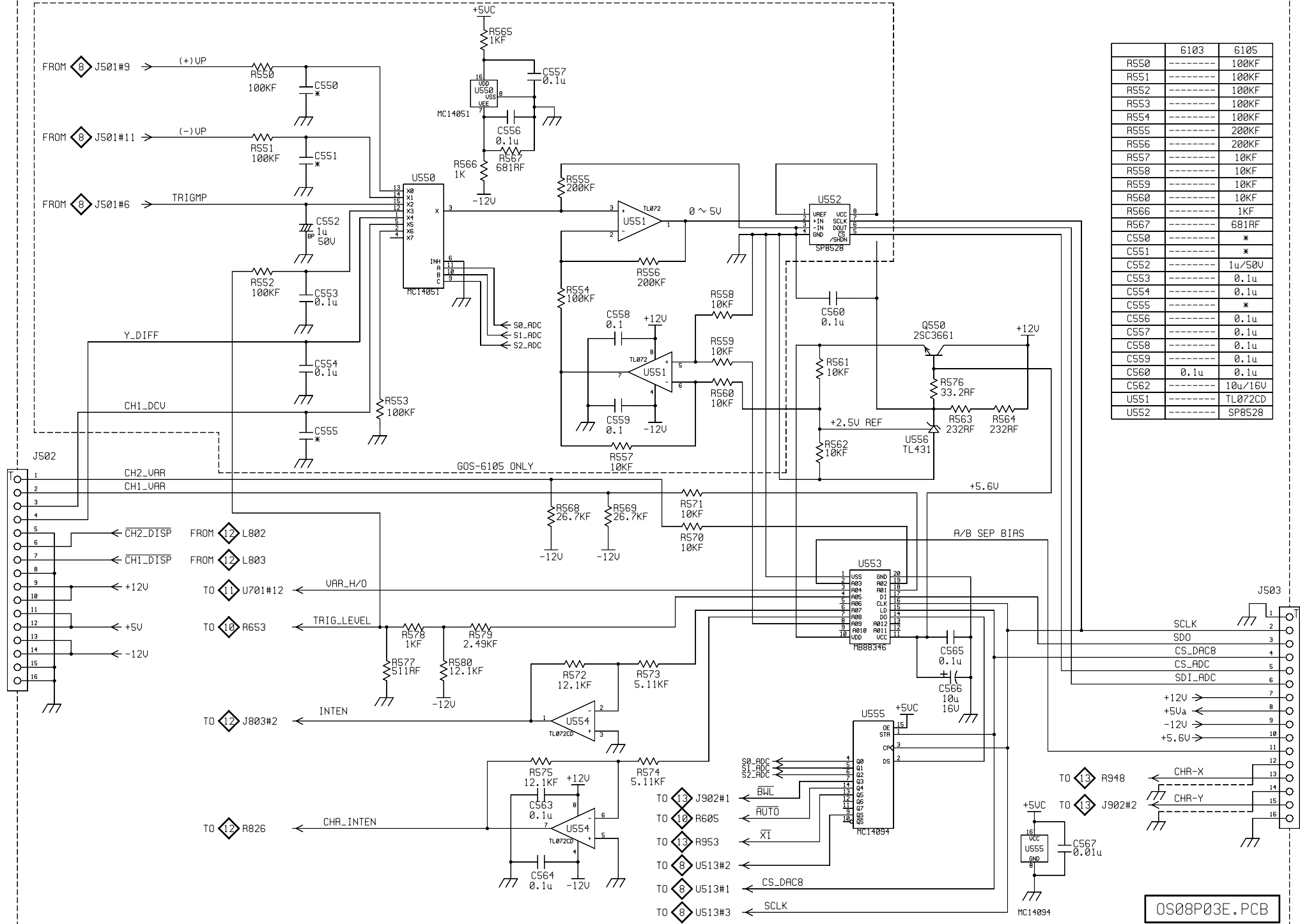
	6103(C)	6105
C515	-----	0.01u
C516	-----	0.01u
C519	-----	0.01u
C520	-----	0.01u
C521	-----	0.01u
U505	-----	ELM7S86
U506	-----	74LS74
U509	-----	74HC191
U510	-----	74HC191
U511	-----	74HC191
JPS01	-----	0R



OS08P03E.PCB

DRAWN BY	CHECKED BY	APPROVED BY	MODEL NO	GOS-6103(C)/6112
			DESCRIPTION	TU-SYNC
			DRAWING NO	OS08S08G REV:6



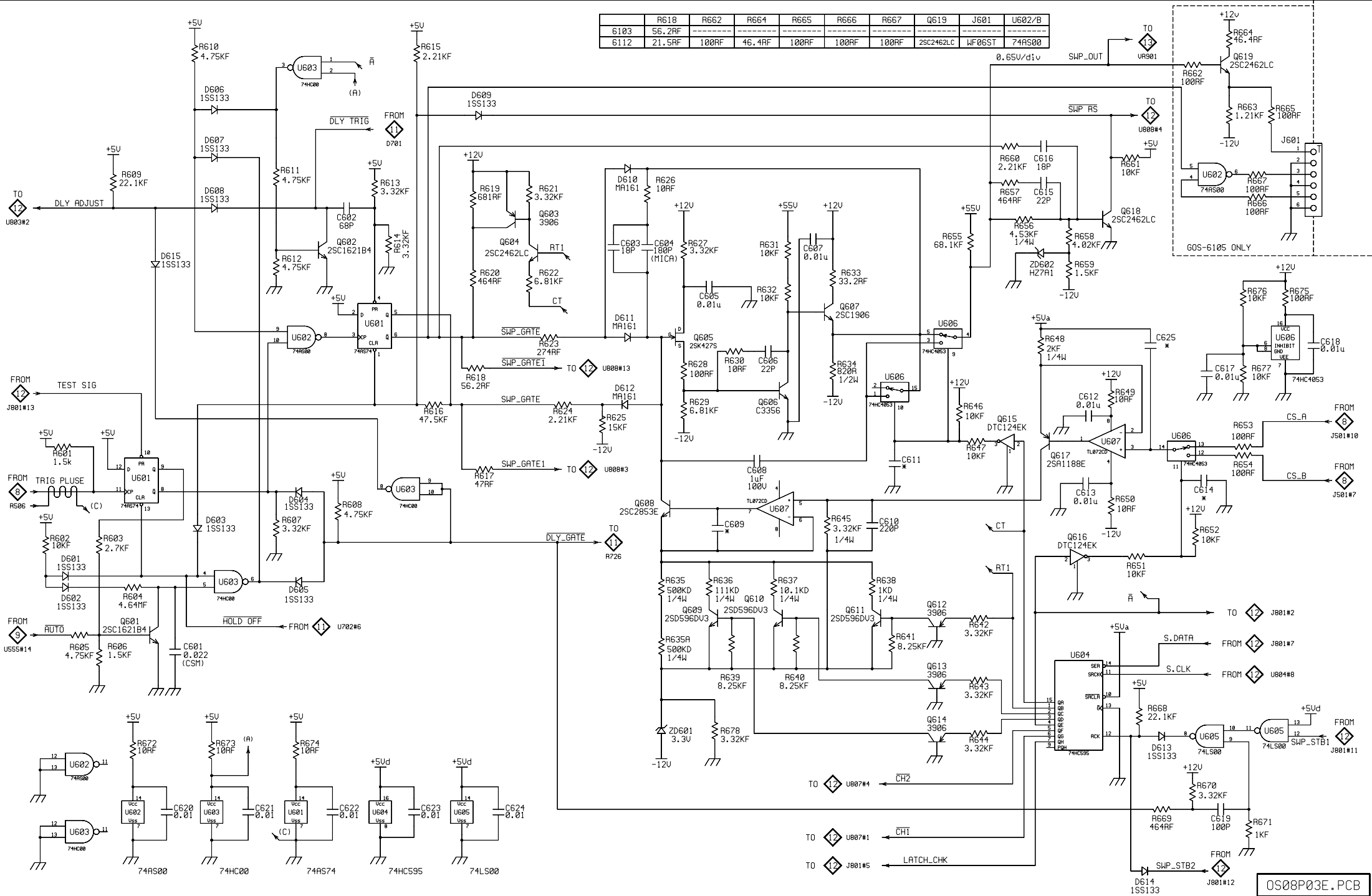


	6103	6105
R550	-----	100KF
R551	-----	100KF
R552	-----	100KF
R553	-----	100KF
R554	-----	100KF
R555	-----	200KF
R556	-----	200KF
R557	-----	10KF
R558	-----	10KF
R559	-----	10KF
R560	-----	10KF
R566	-----	1KF
R567	-----	681RF
C550	-----	*
C551	-----	*
C552	-----	1u/50U
C553	-----	0.1u
C554	-----	0.1u
C555	-----	*
C556	-----	0.1u
C557	-----	0.1u
C558	-----	0.1u
C559	-----	0.1u
C560	-----	0.1u
C562	-----	10u/16U
U551	-----	TL072CD
U552	-----	SP8528

OS08P03E.PCB

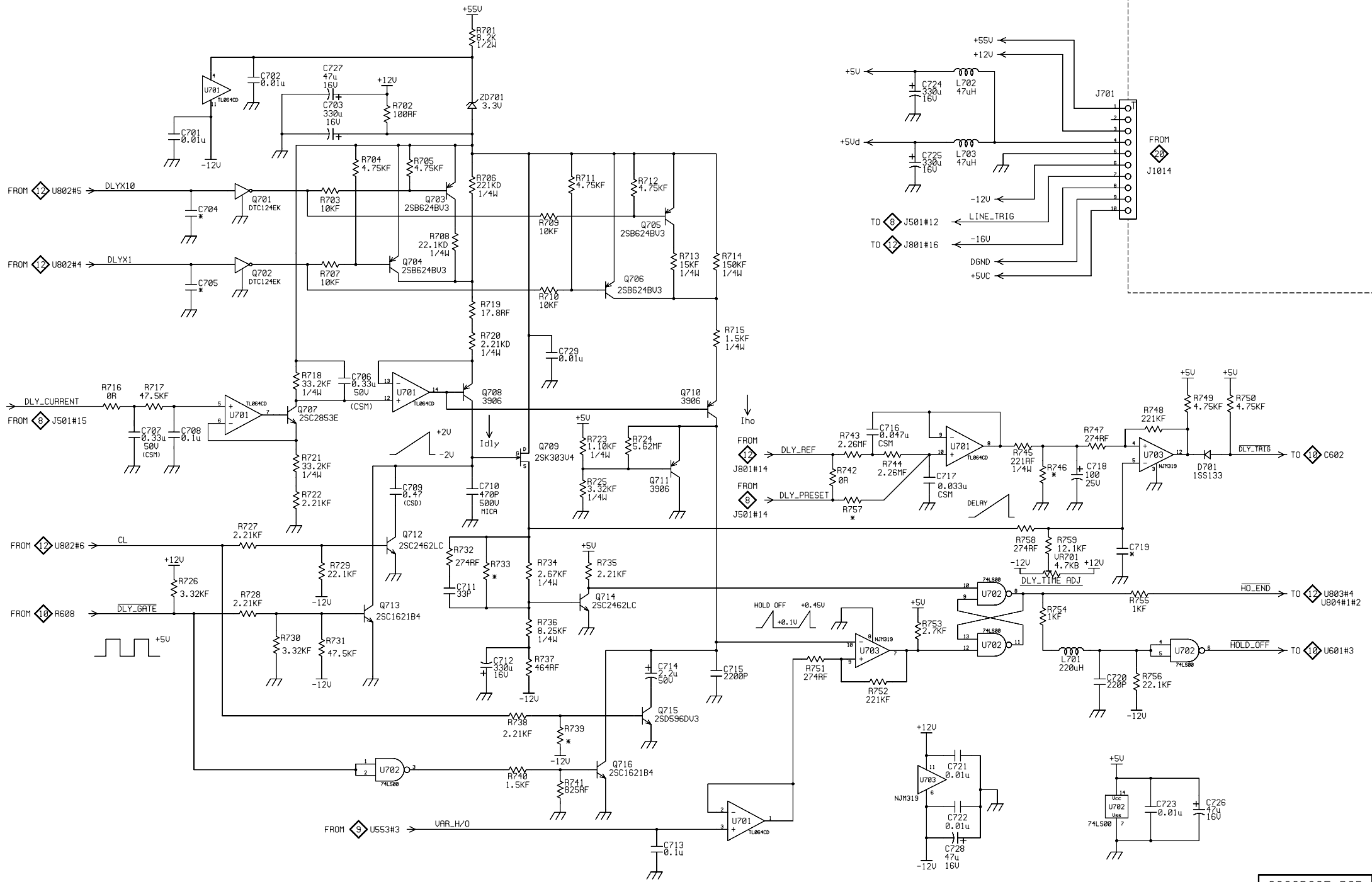
DRAWN BY	CHECKED BY	APPROVED BY	MODEL NO	GOS-6103/6112
			DESCRIPTION	ADC&DAC
			DRAWING NO	OS08S09G
				REV:G

	R618	R662	R664	R665	R666	R667	Q619	J601	U602/B
6103	56.2RF								
6112	21.5RF	100RF	46.4RF	100RF	100RF	100RF	2SC2462LC	WF06ST	74AS00



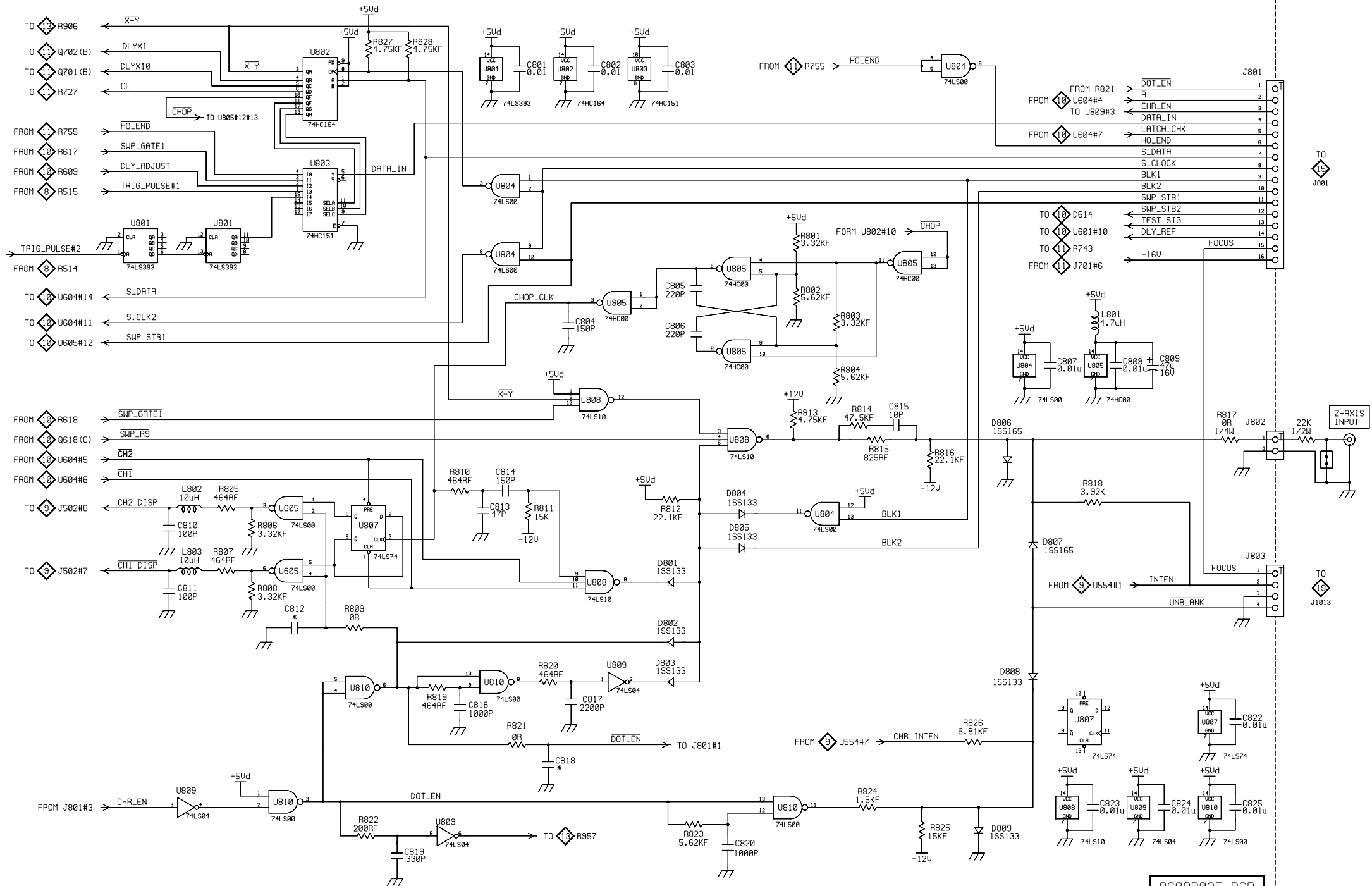
OS08P03E.PCB

DRAWN BY	CHECKED BY	APPROVED BY	MODEL NO	GOS-6103/6112
			DESCRIPTION	SWEEP GEN
			DRAWING NO	OS08S10G
				REV: G



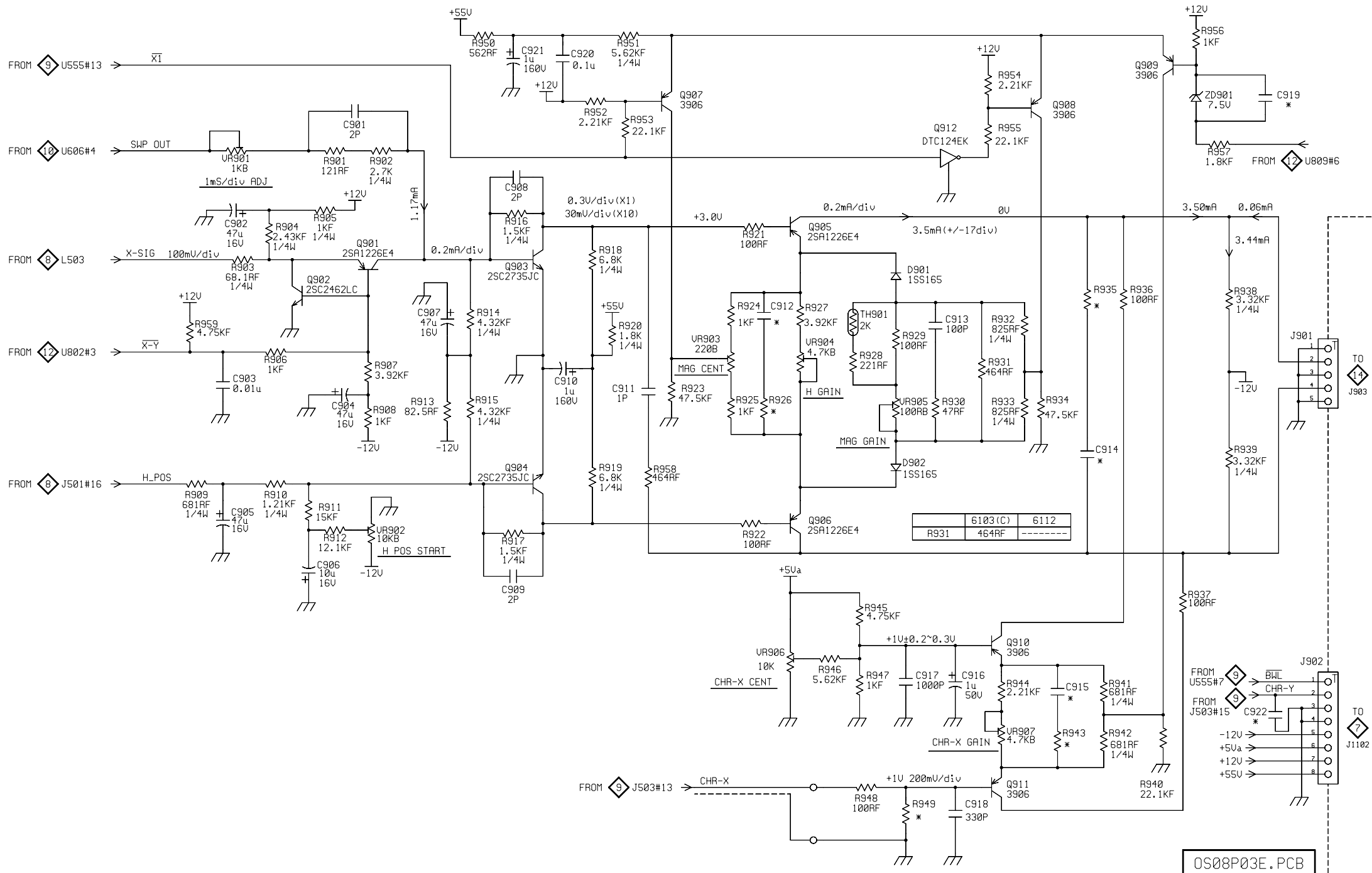
OS08P03E.PCB

DRAWN BY	CHECKED BY	APPROVED BY	MODEL NO	GOS-6103/6112
			DESCRIPTION	DELAY & HOLD OFF
			DRAWING NO	OS08S11G REV:G



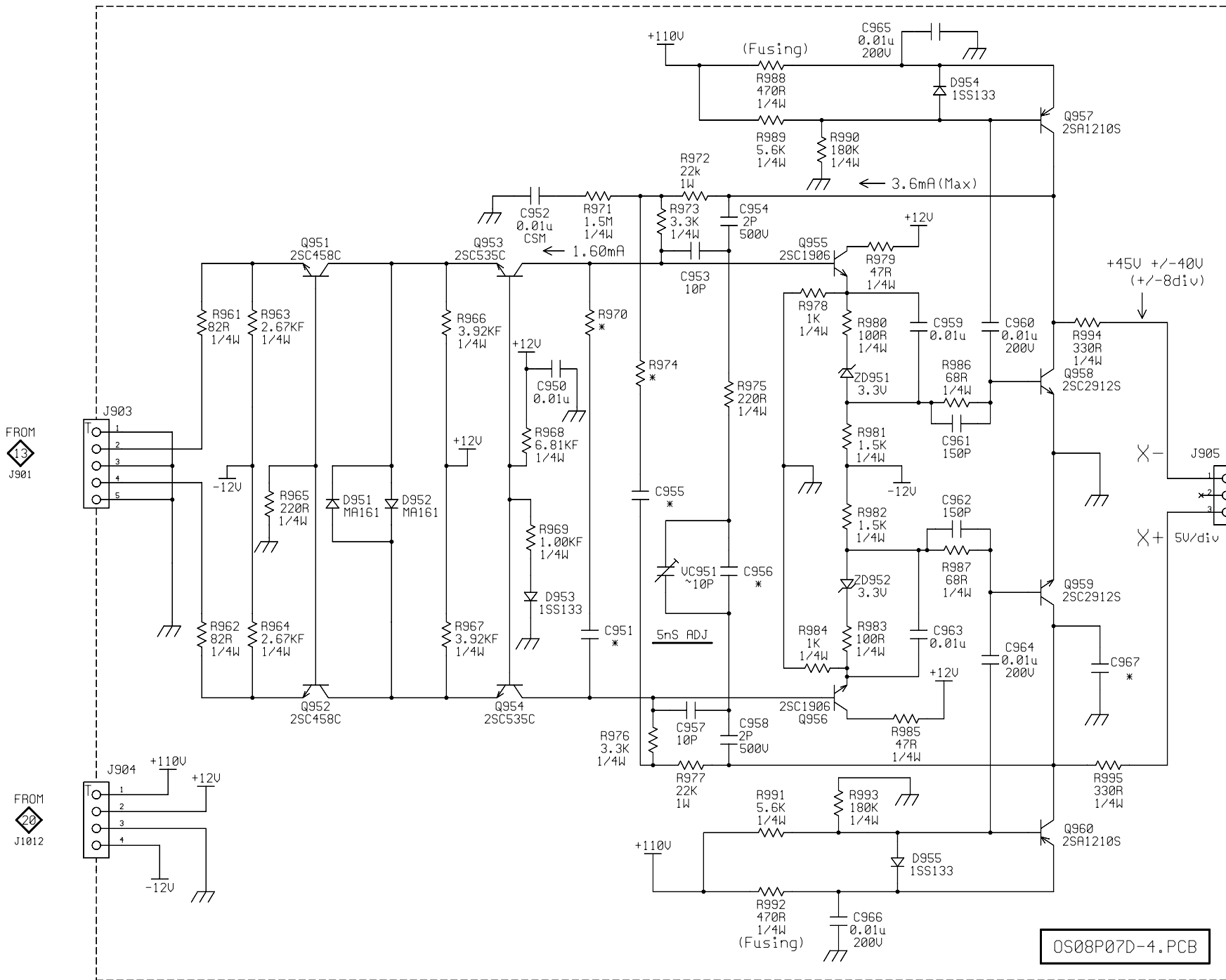
OS08P03E.PCB

DRAWN BY	CHECKED BY	APPROVED BY	MODEL NO	GOS-6103/6112
			DESCRIPTION	Z-CONTROL
			DRAWING NO	OS08S12G
				REV: G



OS08P03E.PCB

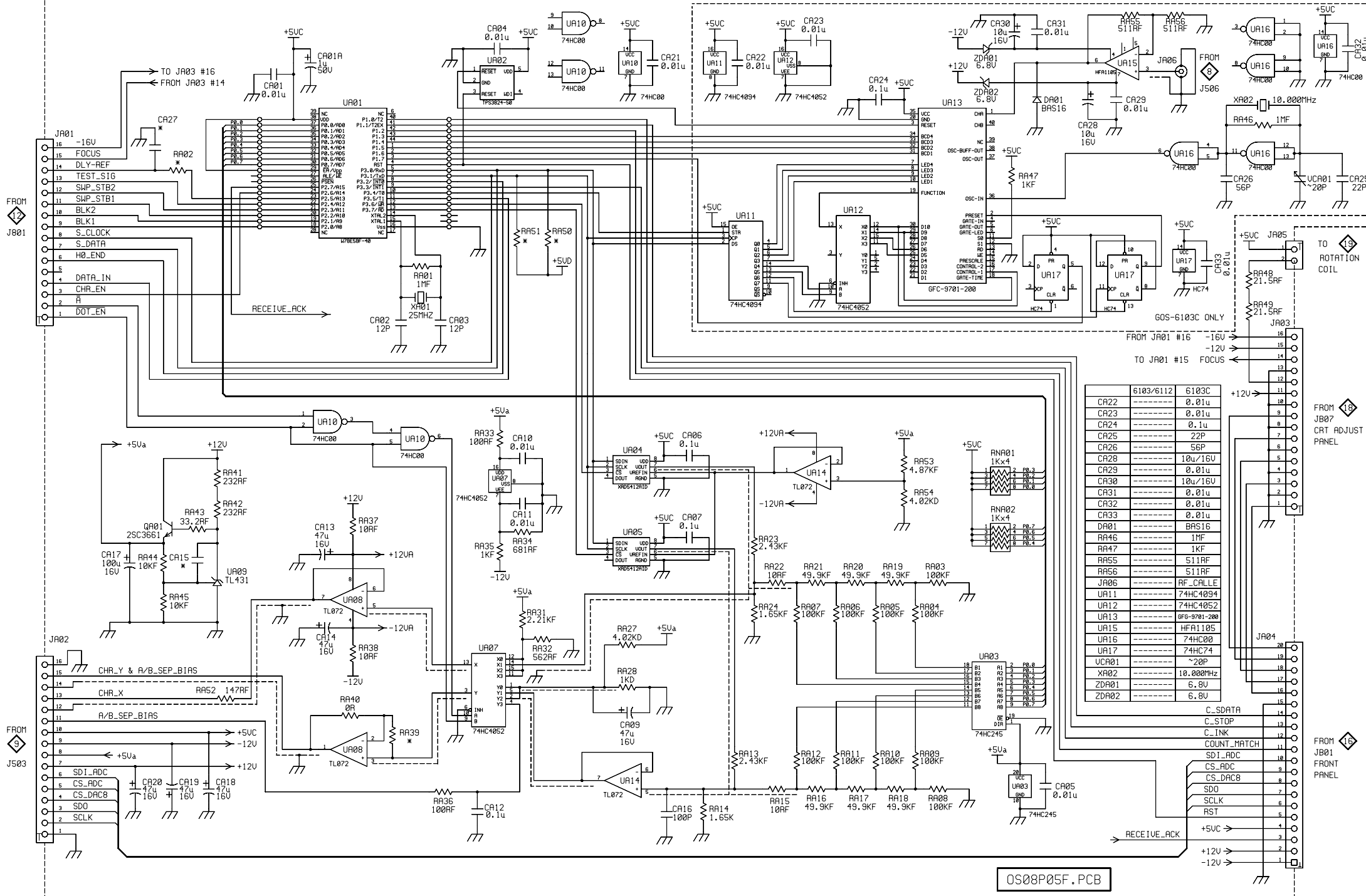
DRAWN BY	CHECKED BY	APPROVED BY	MODEL NO	GOS-6103(C)/6112
			DESCRIPTION	HORI PREAMP
			DRAWING NO	OS08S13G
			REV:	G



	6103	6112
C952	0.01u	0.1u
C956	-----	3P
C967	-----	8P
D951	MA161	1SS165
D952	MA161	1SS165
R966	3.92KF_1/4W	3.65KF_1/4W
R967	3.92KF_1/4W	3.65KF_1/4W
R969	1.00KF_1/4W	825RF_1/4W
R971	1.5M_1/4W	10M_1/4W
R973	3.3K_1/4W	8.2K_1/4W
R975	220R_1/4W	120R_1/4W
R976	3.3K_1/4W	8.2K_1/4W
R994	330R_1/4W	4.7R_1/4W
R995	330R_1/4W	4.7R_1/4W

OS08P07D-4.PCB

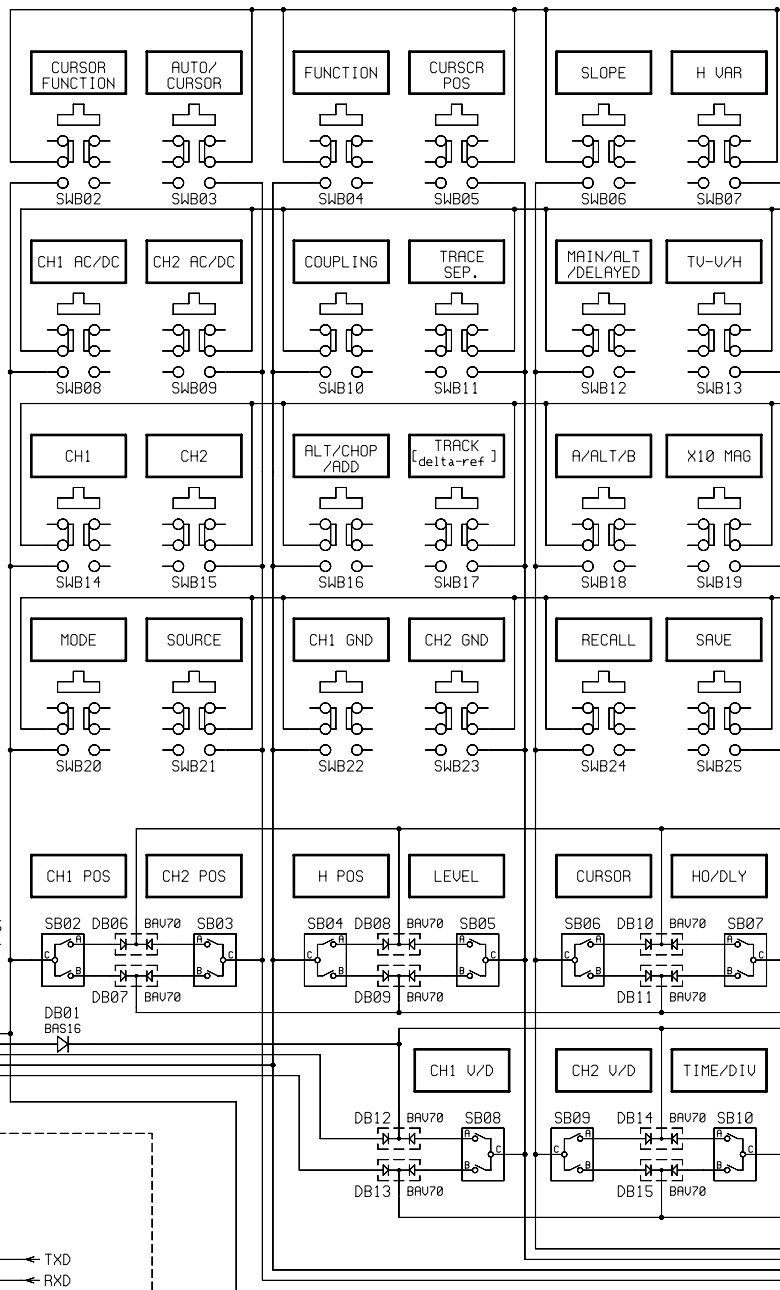
DRAWN BY	CHECKED BY	APPROVED BY	MODEL NO	GOS-6103/6112
			DESCRIPTION	H.OUT AMP
			DRAWING NO	OS08S14G REV:G



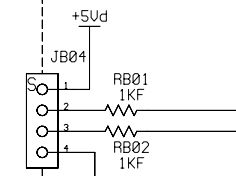
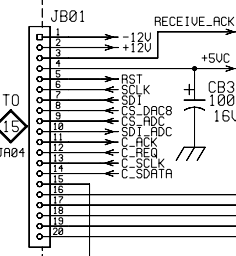
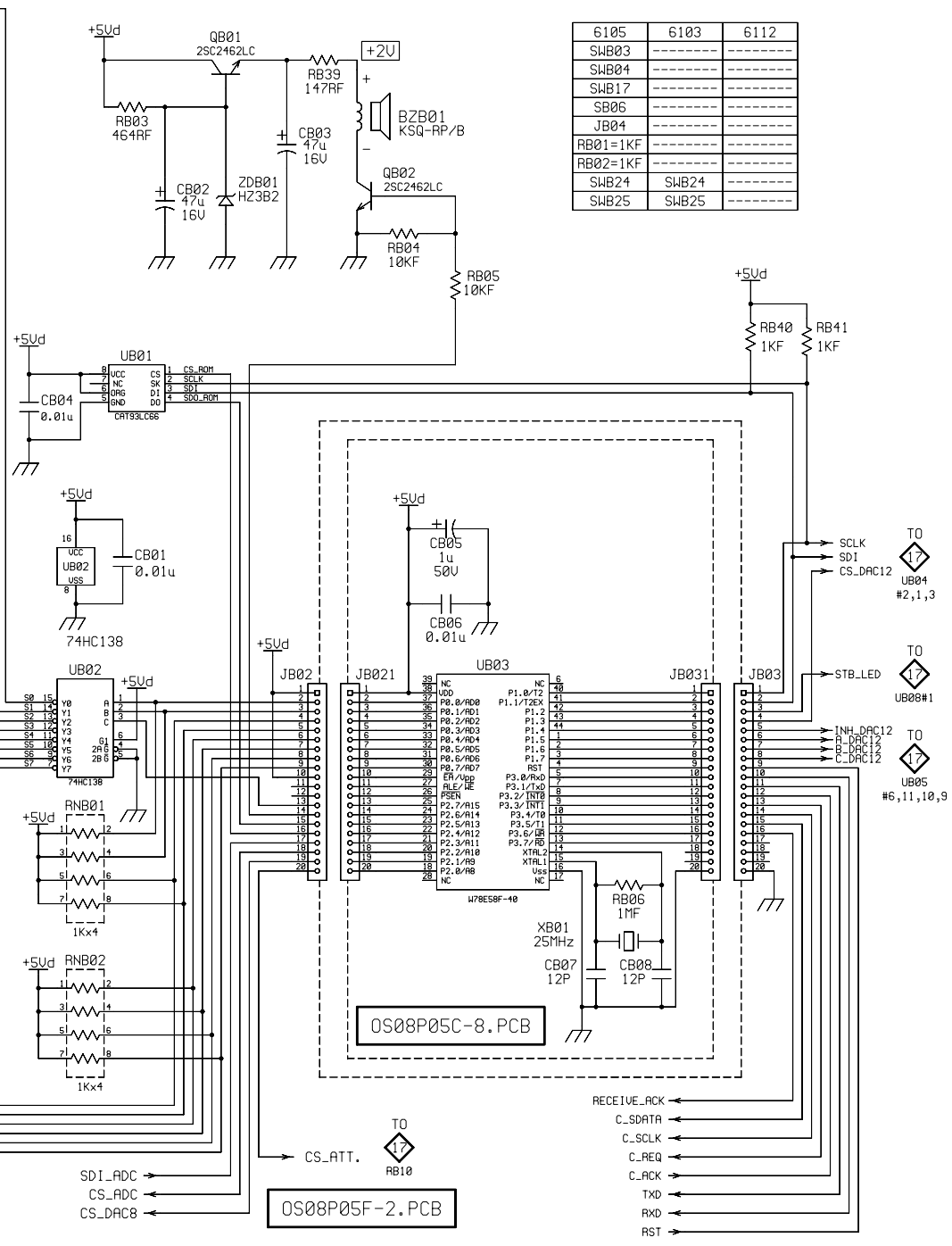
	6103/6112	6103C
CA22	0.01u	0.01u
CA23	0.01u	0.01u
CA24	0.1u	0.1u
CA25	22P	22P
CA26	56P	56P
CA28	10u/16V	10u/16V
CA29	0.01u	0.01u
CA30	10u/16V	10u/16V
CA31	0.01u	0.01u
CA32	0.01u	0.01u
CA33	0.01u	0.01u
DA01	BA516	BA516
RA46	1MF	1MF
RA47	1KF	1KF
RA55	511RF	511RF
RA56	511RF	511RF
JA06	RF_CALLE	RF_CALLE
JA11	74HC4094	74HC4094
JA12	74HC4052	74HC4052
JA13	6F6-9781-200	6F6-9781-200
JA15	74HC00	74HC00
JA16	HFA1105	HFA1105
JA17	74HC74	74HC74
JA18	~20P	~20P
XA01	10.000MHz	10.000MHz
ZDA01	6.8U	6.8U
ZDA02	6.8U	6.8U

OS08P05F.PCB

DRAWN BY	CHECKED BY	APPROVED BY	MODEL NO	GOS-6103(C)/6112
			DESCRIPTION	READOUT CPU
			DRAWING NO	OS08S15G REV:G



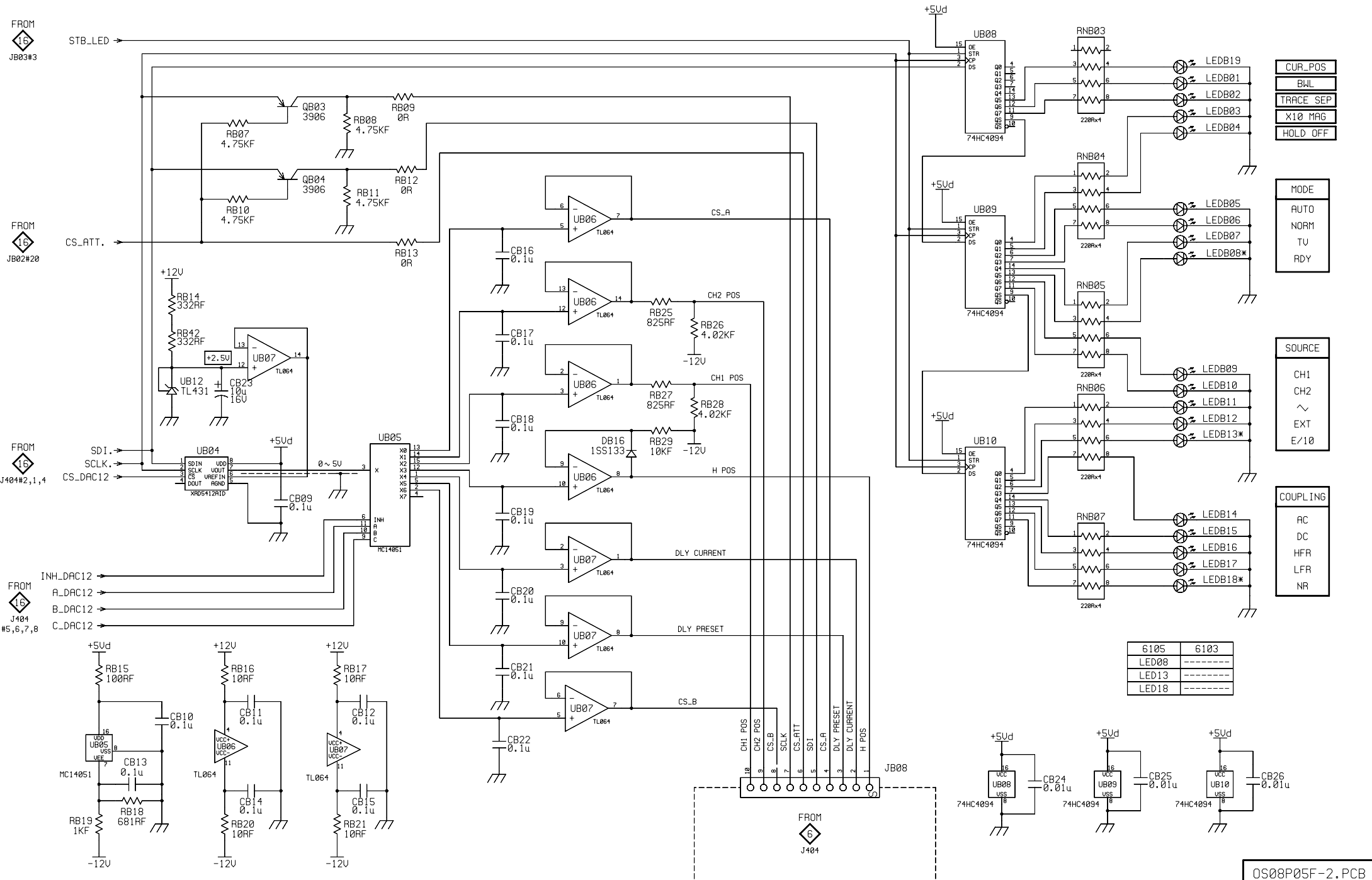
6105	6103	6112
SWB03	-----	-----
SWB04	-----	-----
SWB17	-----	-----
SB06	-----	-----
JB04	-----	-----
RB01=1KF	-----	-----
SWB24	SWB24	-----
SWB25	SWB25	-----



GOS-6105 ONLY

DRAWN BY	CHECKED BY	APPROVED BY	MODEL NO	GOS-6103/6112
			DESCRIPTION	PANEL CONTROL (1)
			DRAWING NO	OS08S16G
				REV:G





CUR_POS
B/W
TRACE SEP
X10 MAG
HOLD OFF

MODE
AUTO
NORM
TU
RDY

SOURCE
CH1
CH2
~
EXT
E/10

COUPLING
AC
DC
HFR
LFR
NR

6105	6103
LED08	-----
LED13	-----
LED18	-----

OS08P05F-2.PCB

DRAWN BY	CHECKED BY	APPROVED BY	MODEL NO	GOS-6103/6112	
			DESCRIPTION	PANEL CONTROL (2)	
			DRAWING NO	OS08S17G	REV:G

POWER

TRACE/  
READOUT

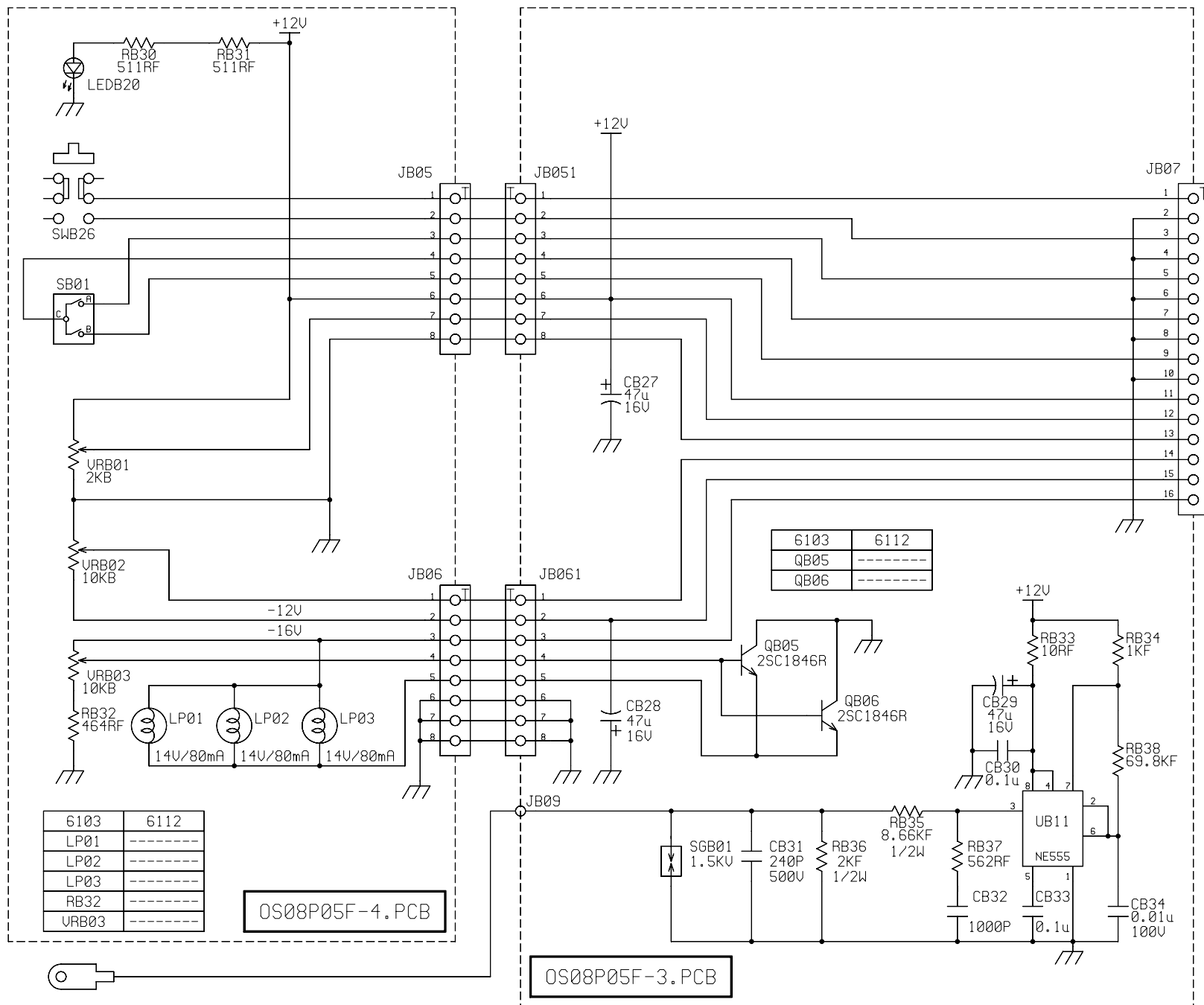
INTEN

TRACE  
ROTATION

FOCUS

ILLUM

CAL  
2Upp 1kHz



T0  
15  
JA03

6103	6112
LP01	-----
LP02	-----
LP03	-----
RB32	-----
URB03	-----

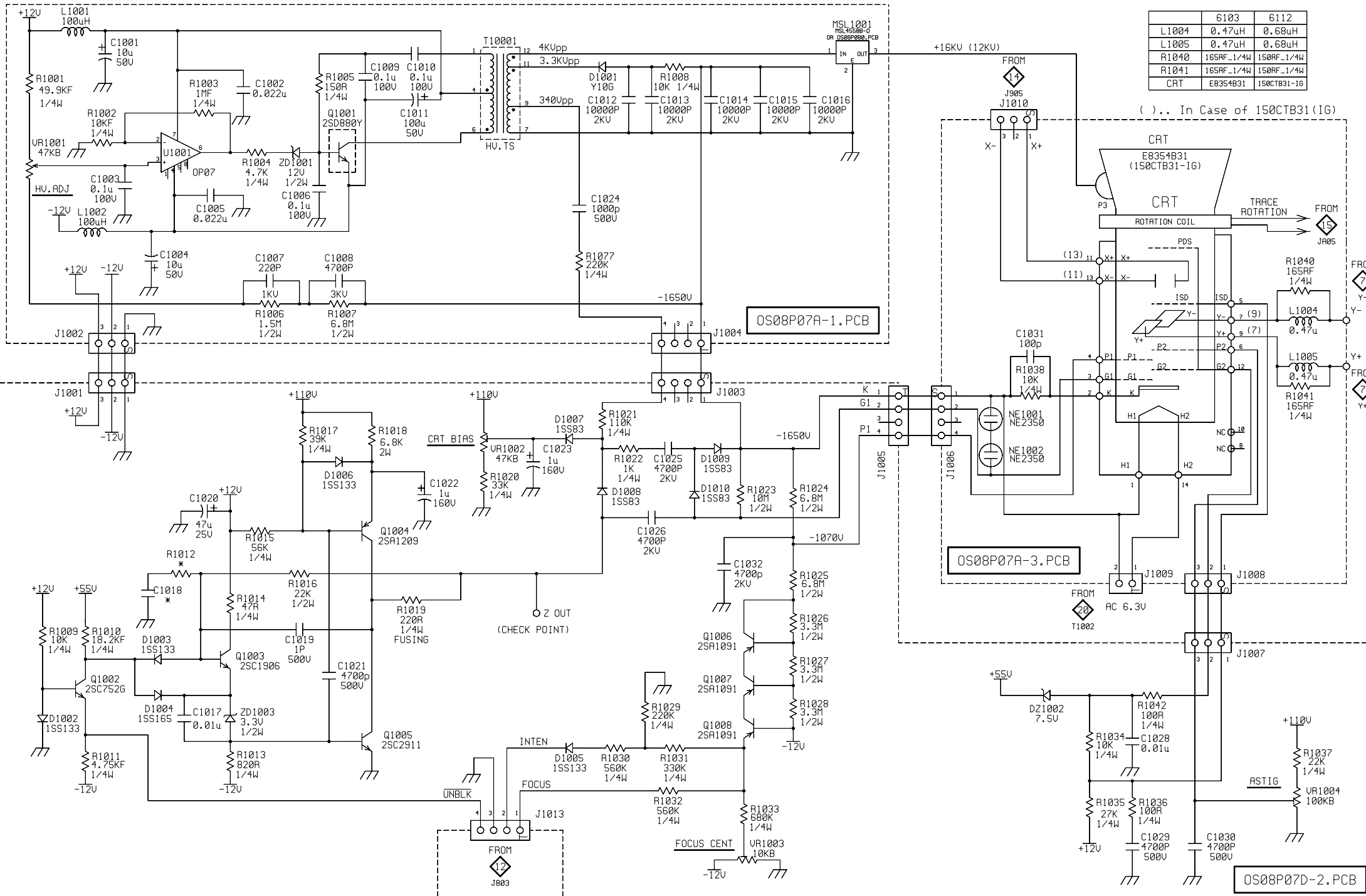
OS08P05F-4.PCB

6103	6112
QB05	-----
QB06	-----

OS08P05F-3.PCB

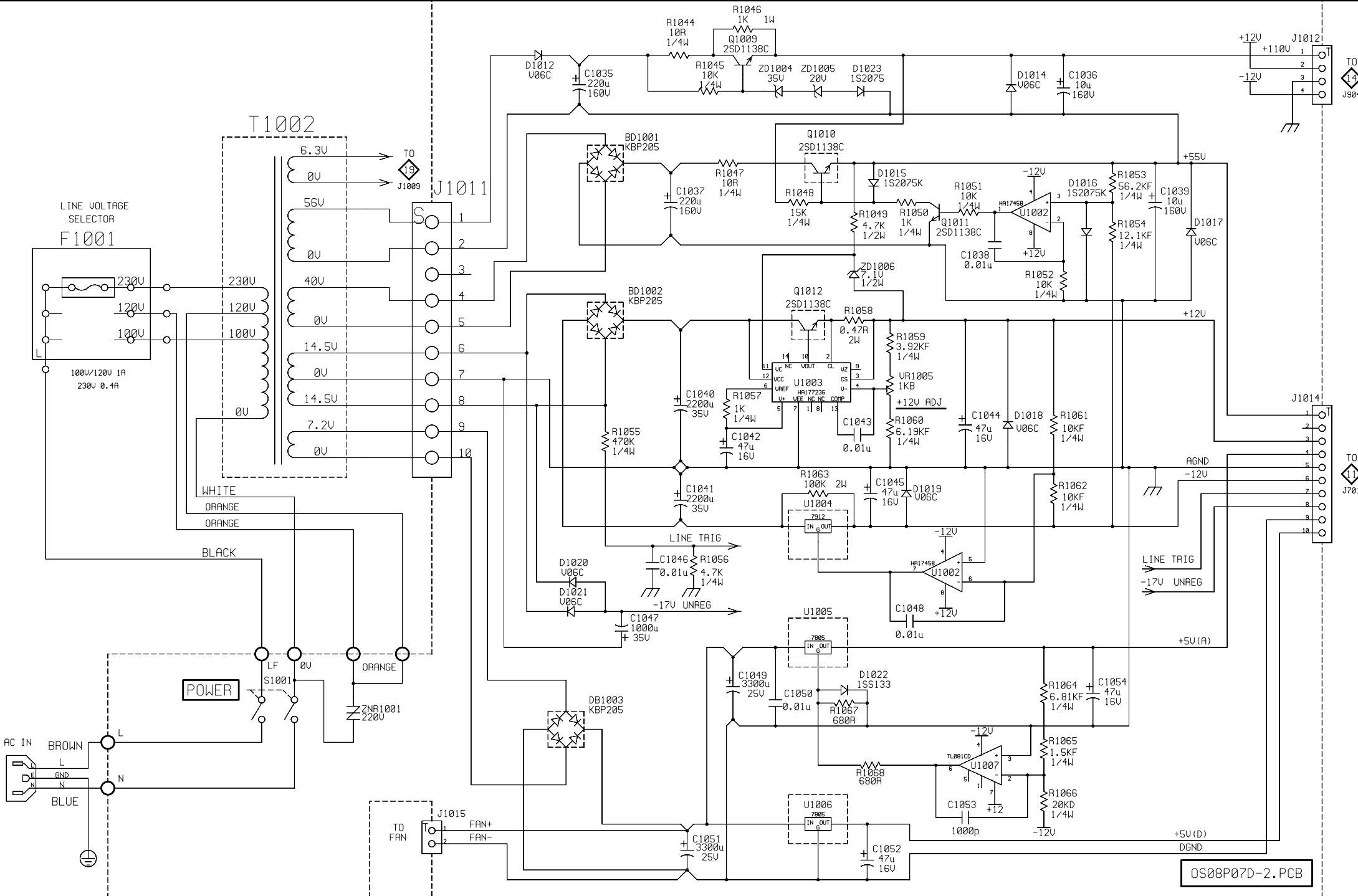
DRAWN BY	CHECKED BY	APPROVED BY	MODEL NO	GOS-6103/6112
			DESCRIPTION	PANEL3
			DRAWING NO	OS08S18G
				REV:G

	6103	6112
L1004	0.47uH	0.68uH
L1005	0.47uH	0.68uH
R1040	165RF 1/4W	150RF 1/4W
R1041	165RF 1/4W	150RF 1/4W
CRT	E8354B31	150CTB31-1G



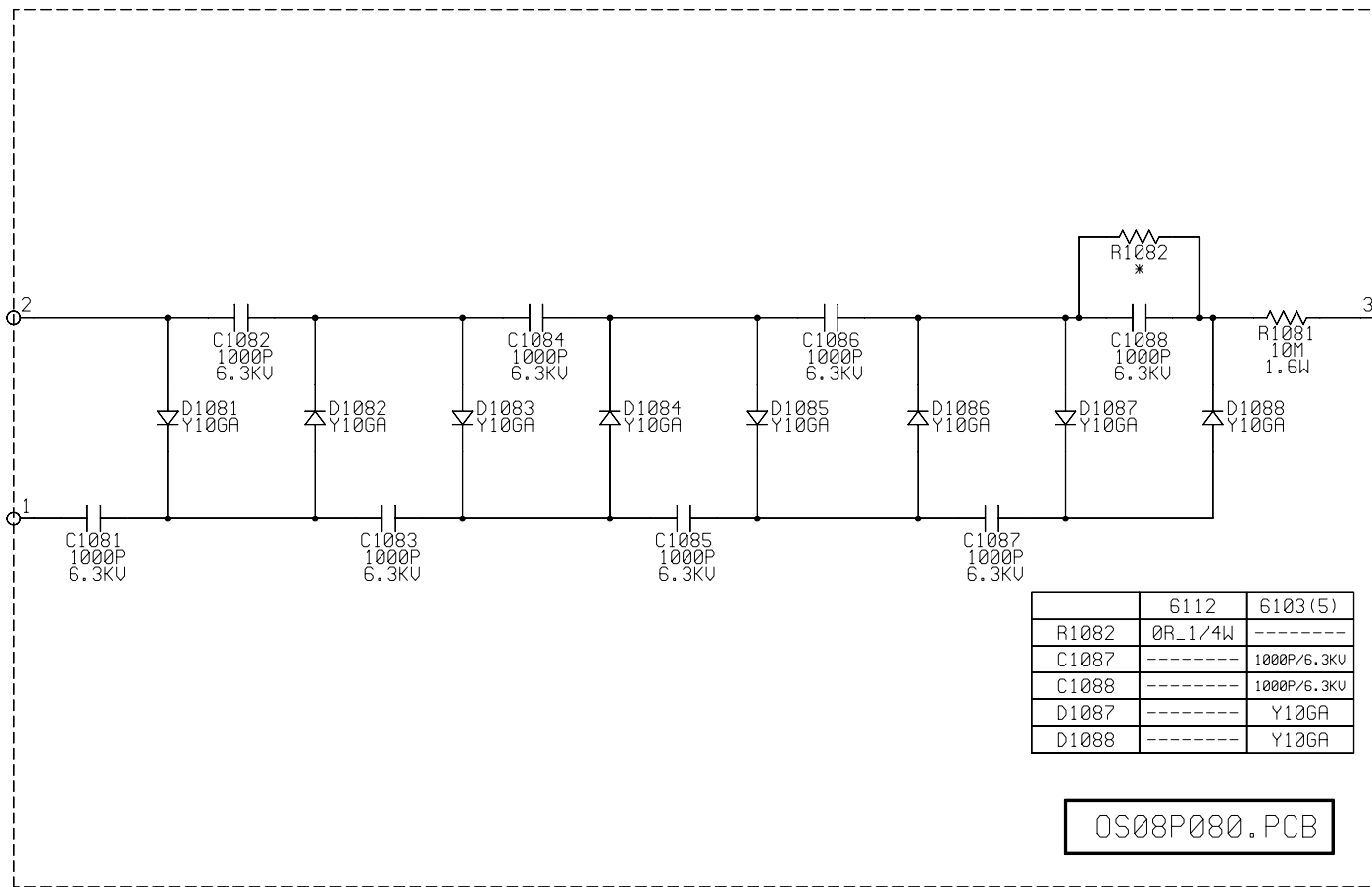
( ).. In Case of 150CTB31(IG)

DRAWN BY	CHECKED BY	APPROVED BY	MODEL NO	GOS-6103/6112
			DESCRIPTION	HV-Z-CRT
			DRAWING NO	OS08S19G
				REV:G



OS08P07D-2.PCB

DRAWN BY	CHECKED BY	APPROVED BY	MODEL NO	GOS-6103/6112
			DESCRIPTION	POWER SUPPLY
			DRAWING NO	OS08S20G
				REV:G



	6112	6103(5)
R1082	0R_1/4W	-----
C1087	-----	1000P/6.3KV
C1088	-----	1000P/6.3KV
D1087	-----	Y10GA
D1088	-----	Y10GA

	DRAWN BY	CHECKED BY	APPROVED BY	MODEL NO	GOS-6103/6112
				DESCRIPTION	H.V MULTIPLY
				DRAWING NO	OS08S21G