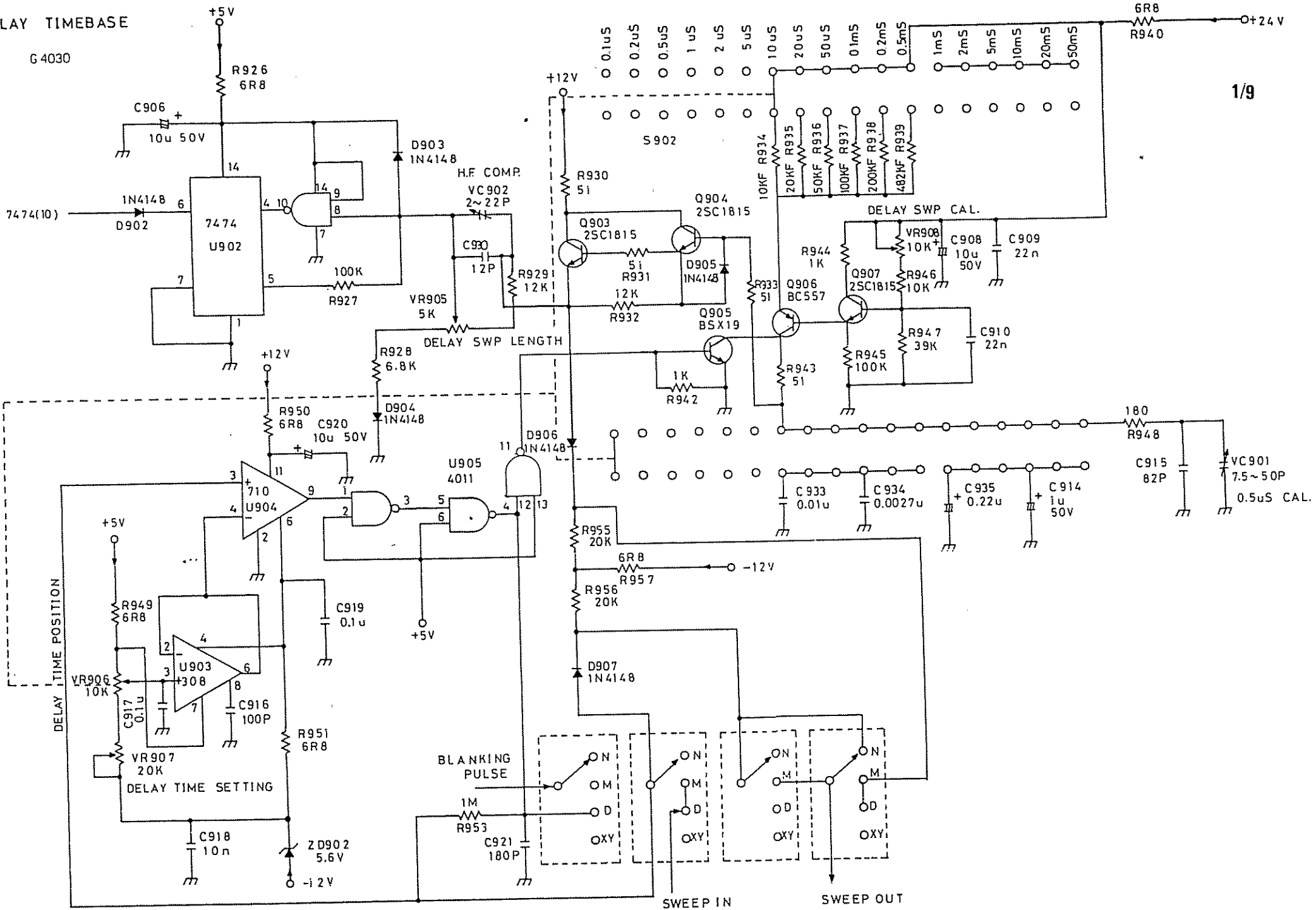
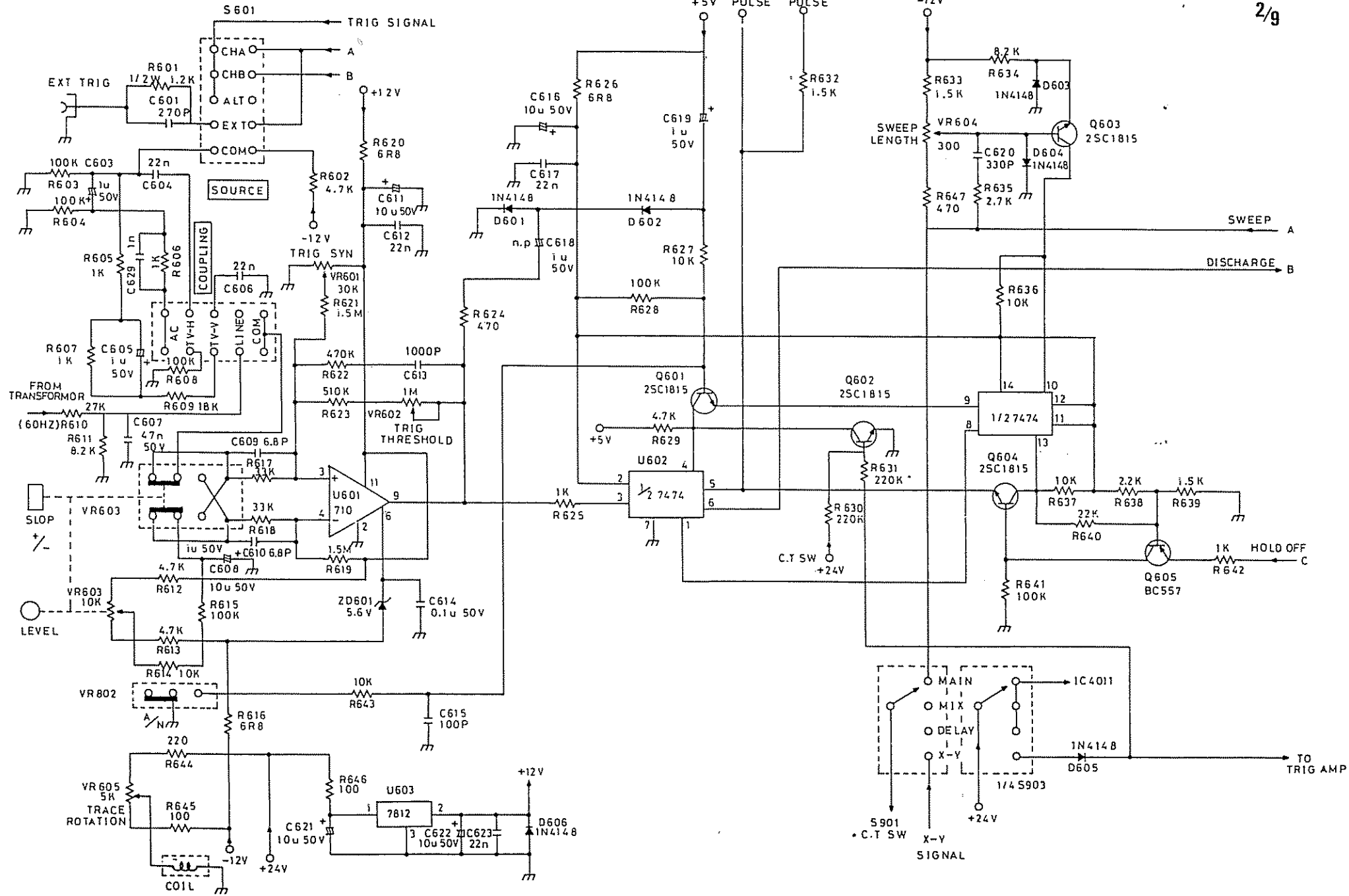


DELAY TIMEBASE

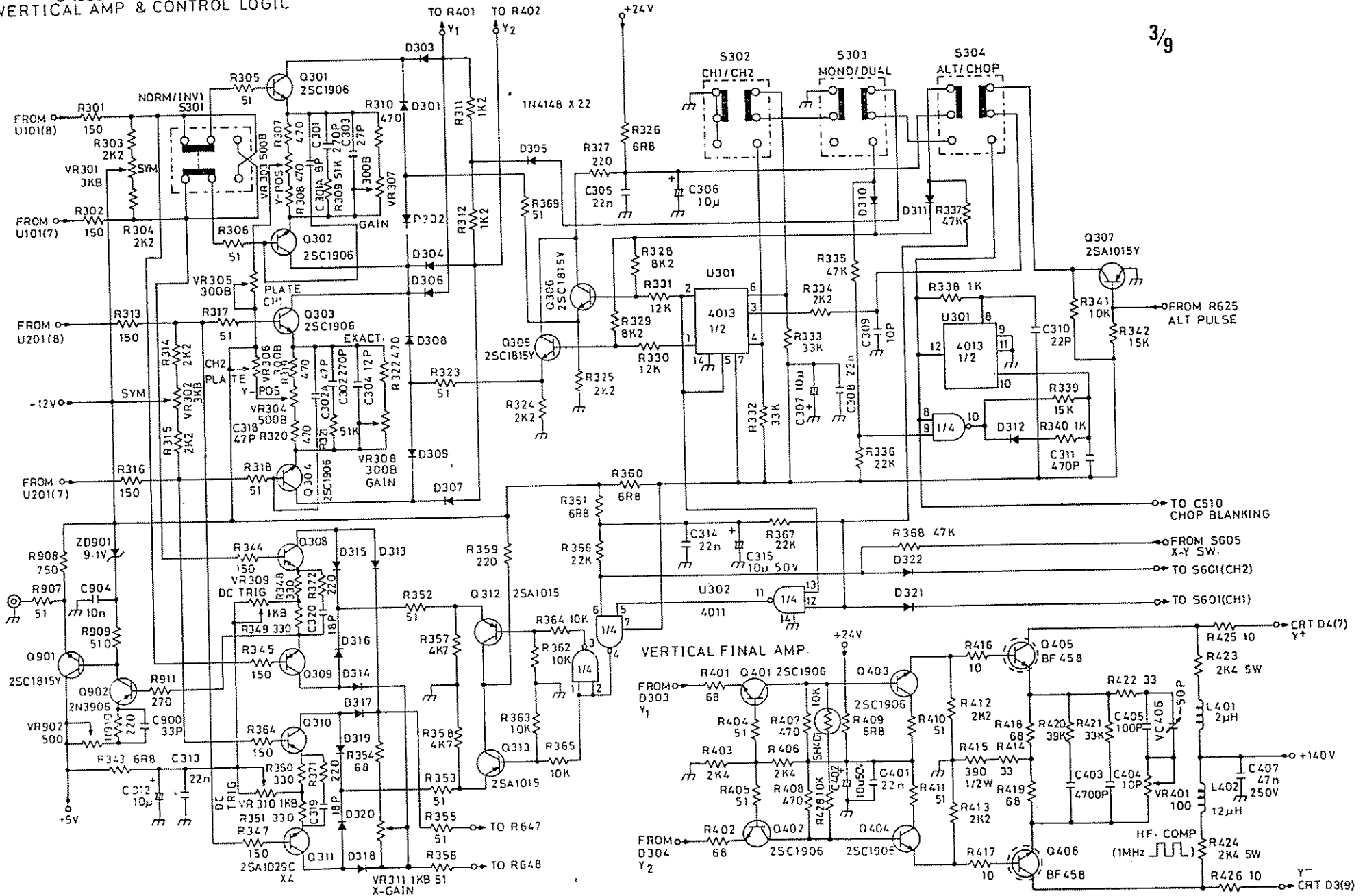
G 4030



G 4030
H-CONTROLLED CKT

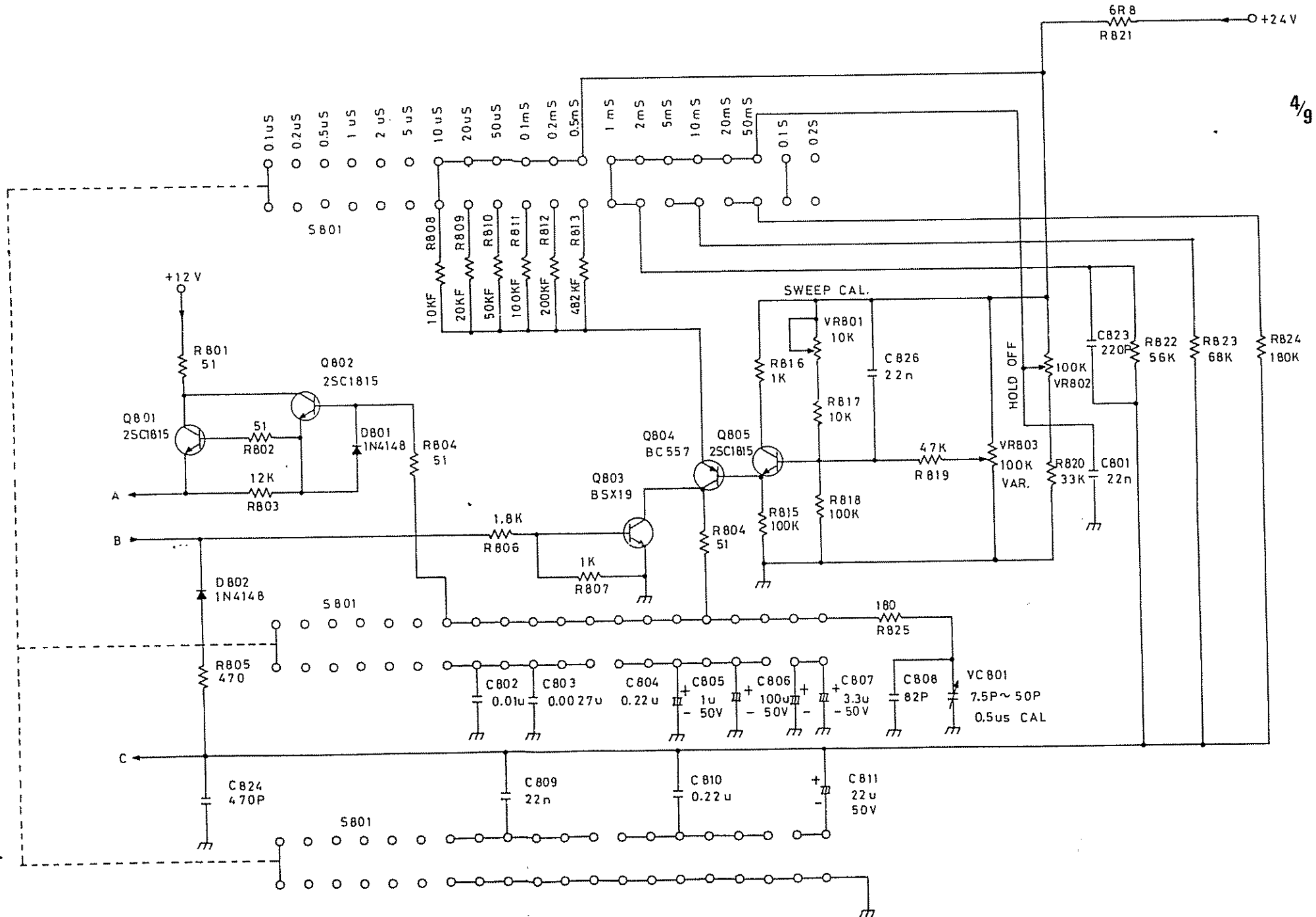


G 4030
VERTICAL AMP & CONTROL LOGIC

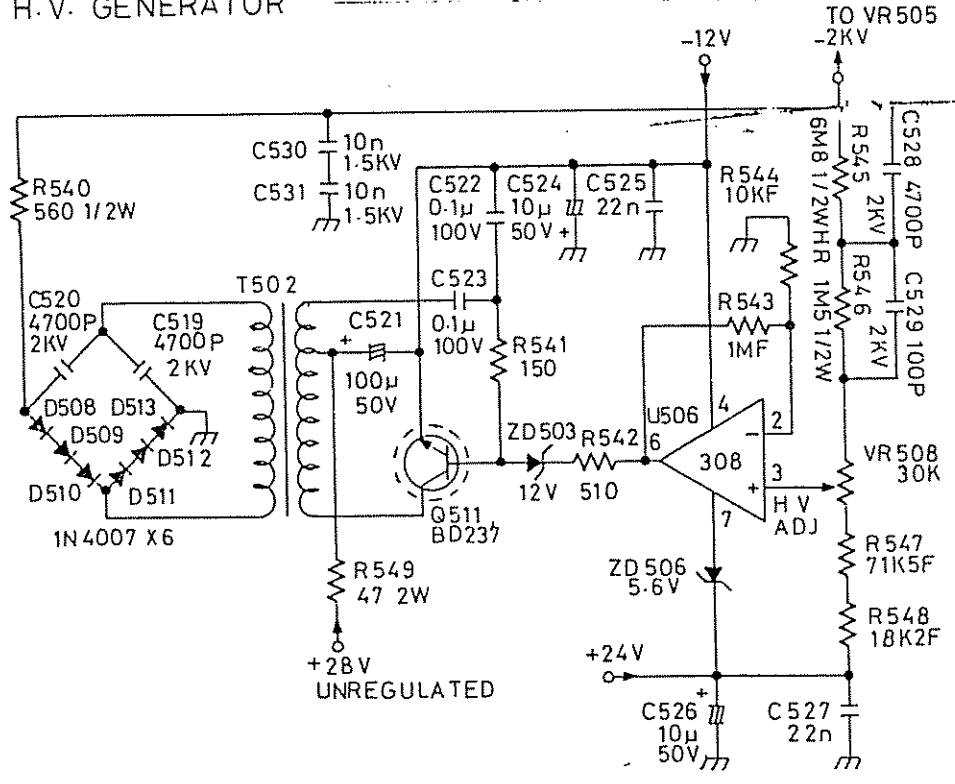


G 4030
MAIN TIME-BASE

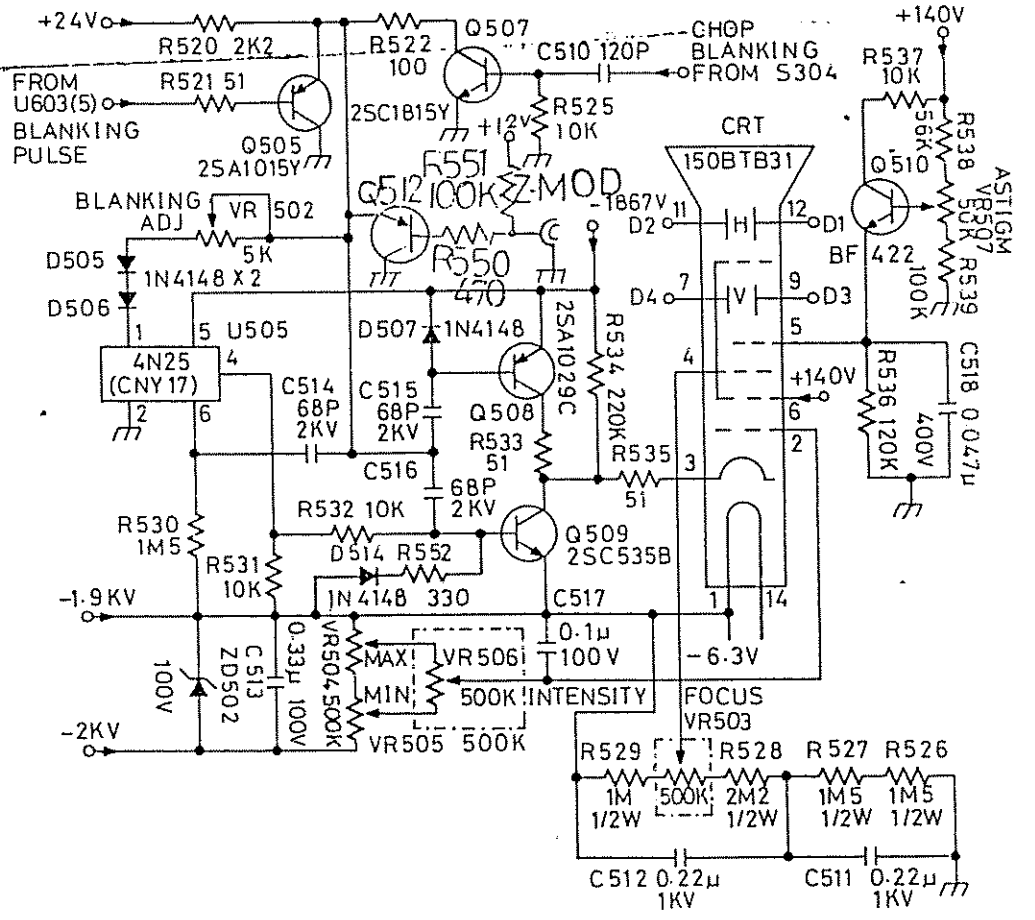
4/9



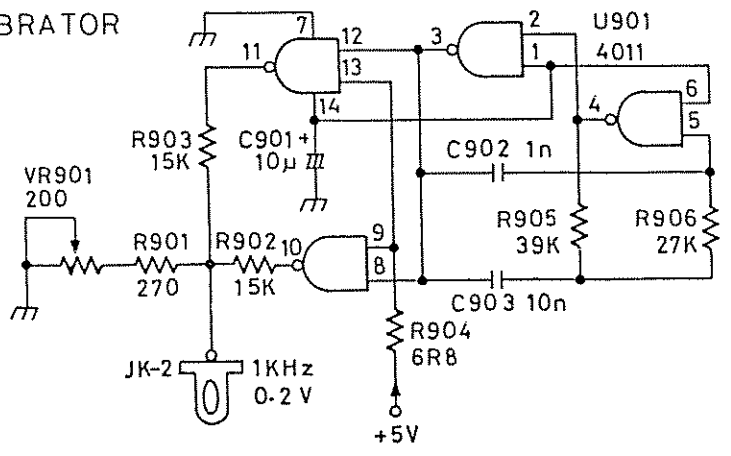
G 4030 H.V. GENERATOR



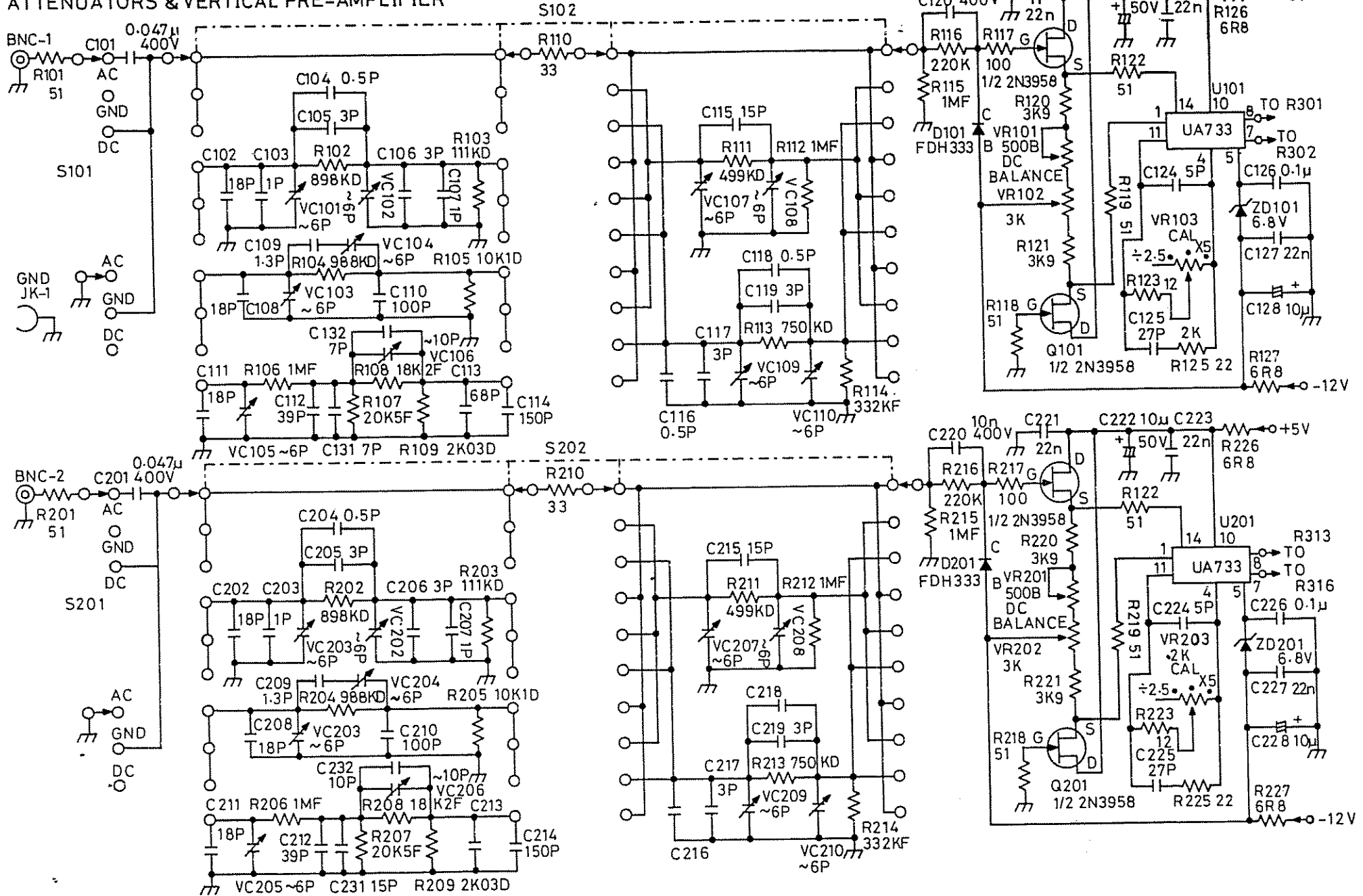
CRT CONTROL



CALIBRATOR

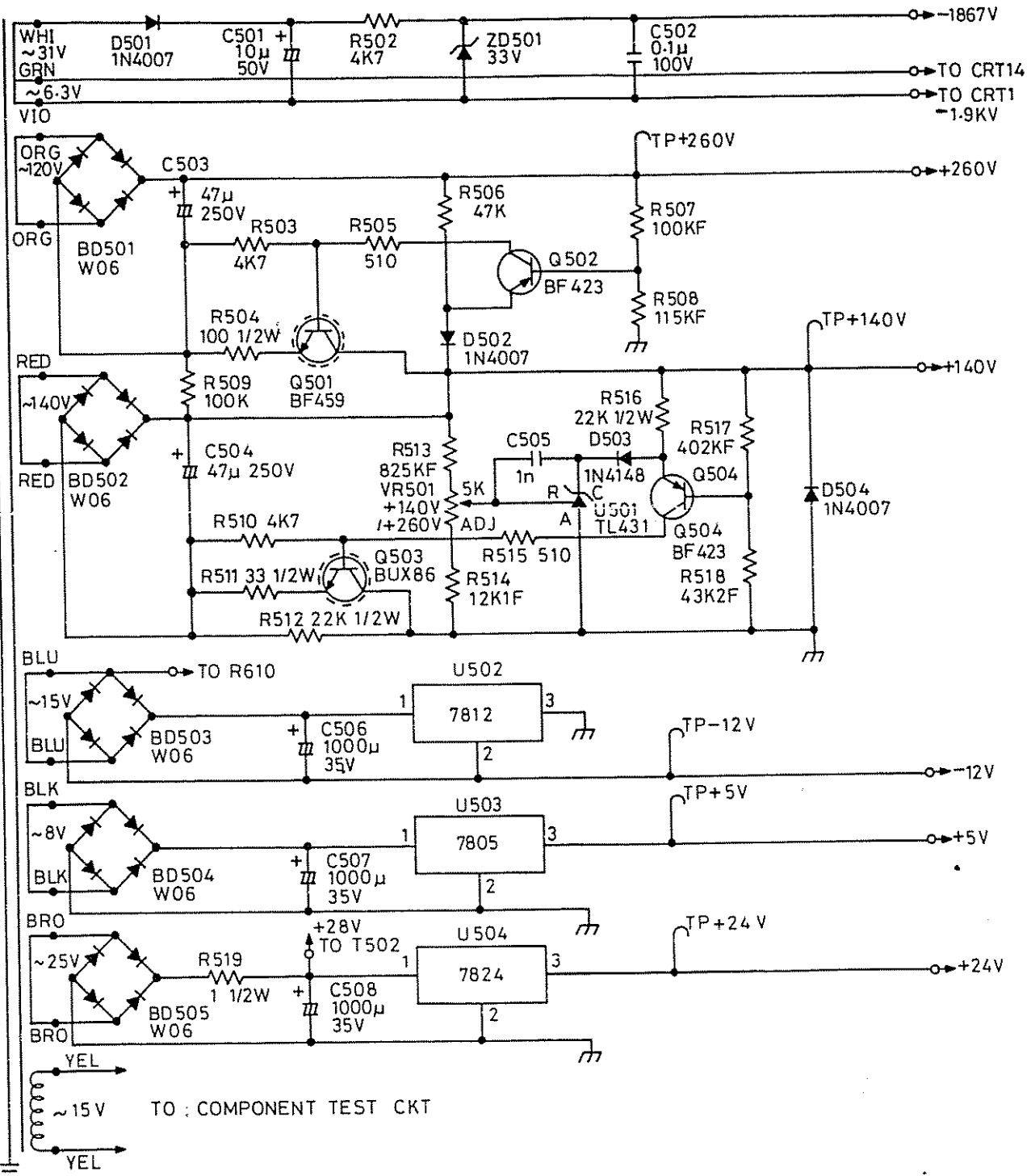
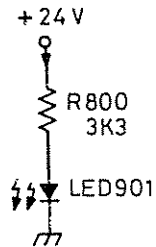
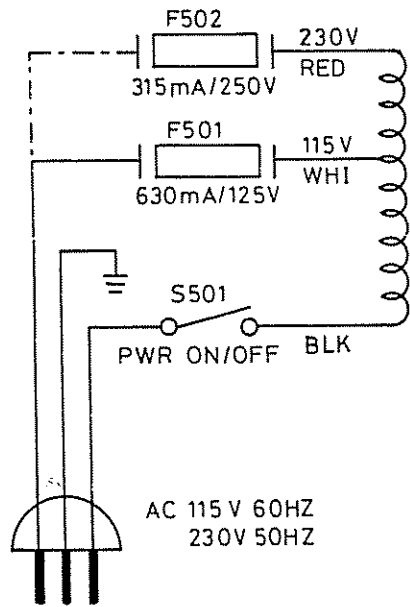


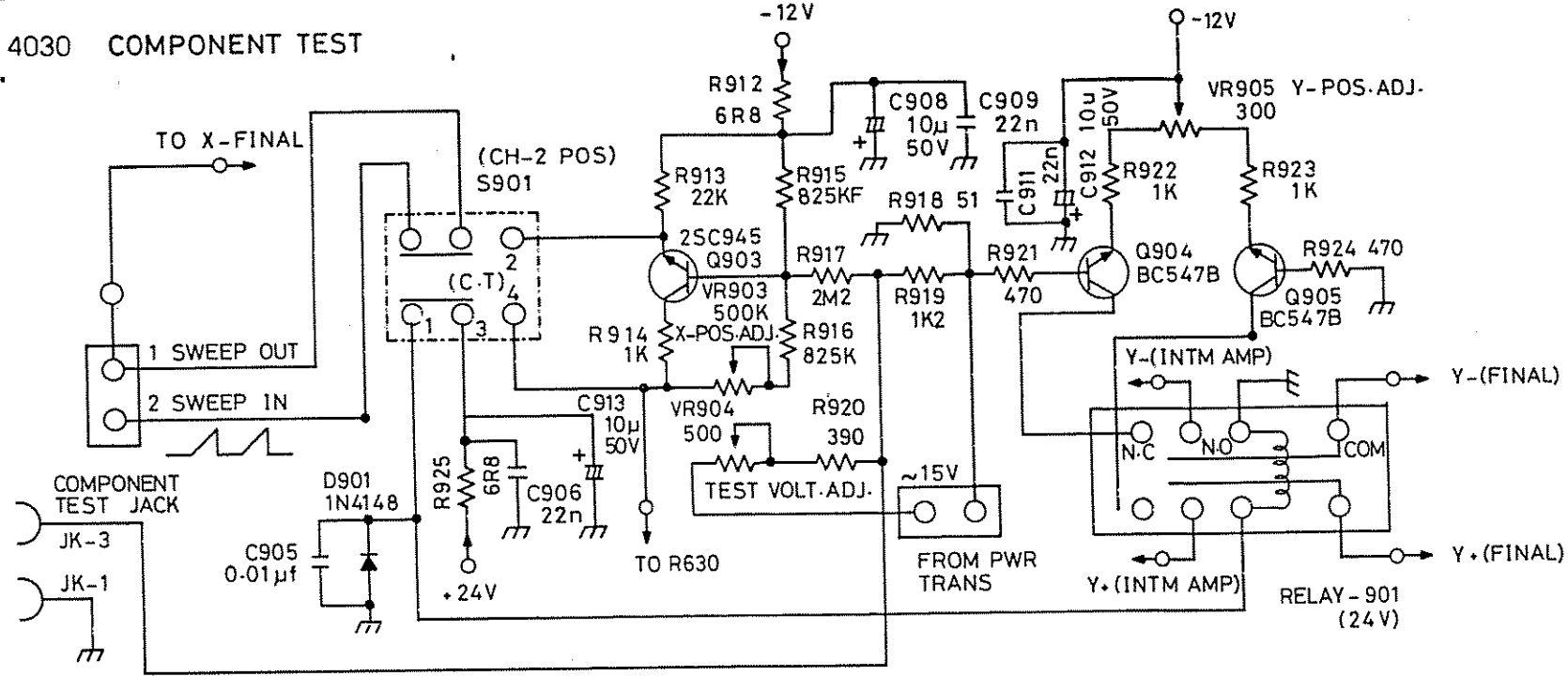
ATTENUATORS & VERTICAL PRE-AMPLIFIER



G 4030
POWER SUPPLY

T501





TRIG FINAL AMP

