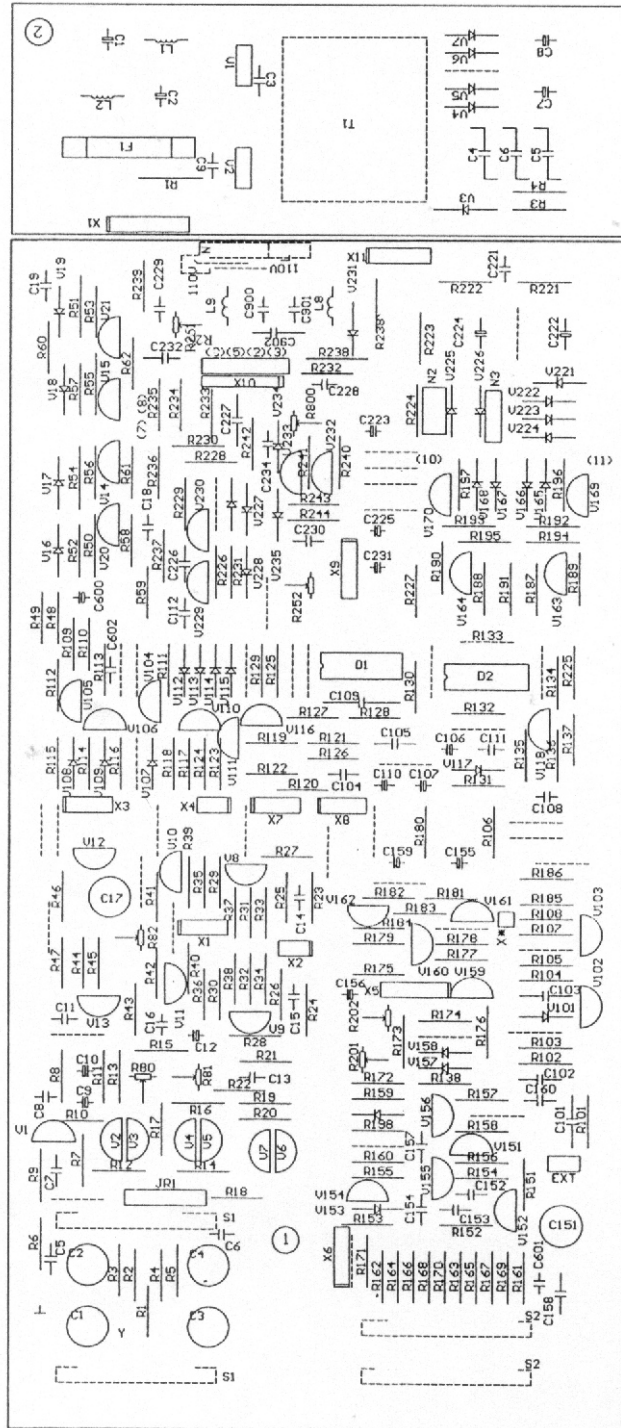
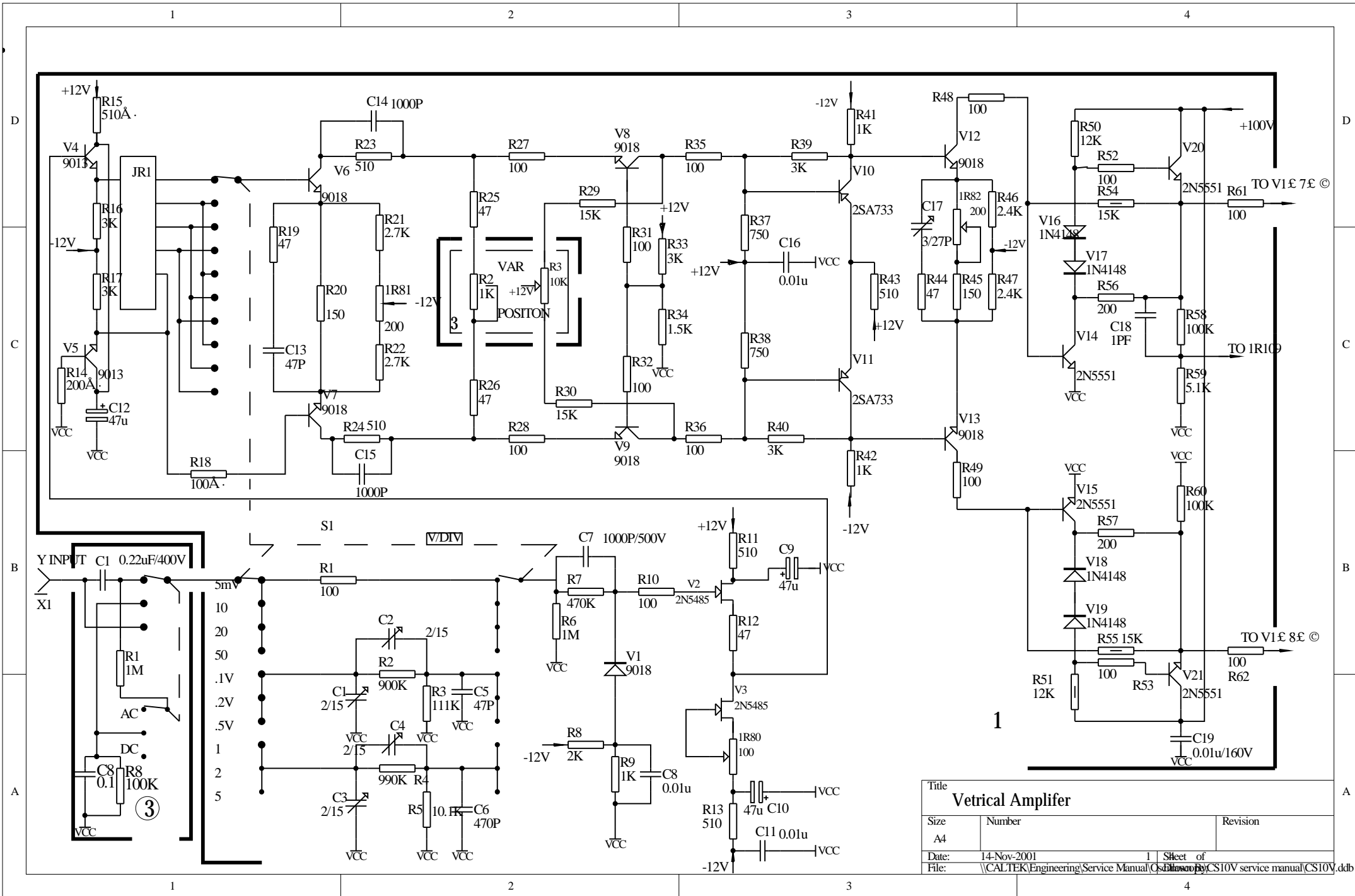
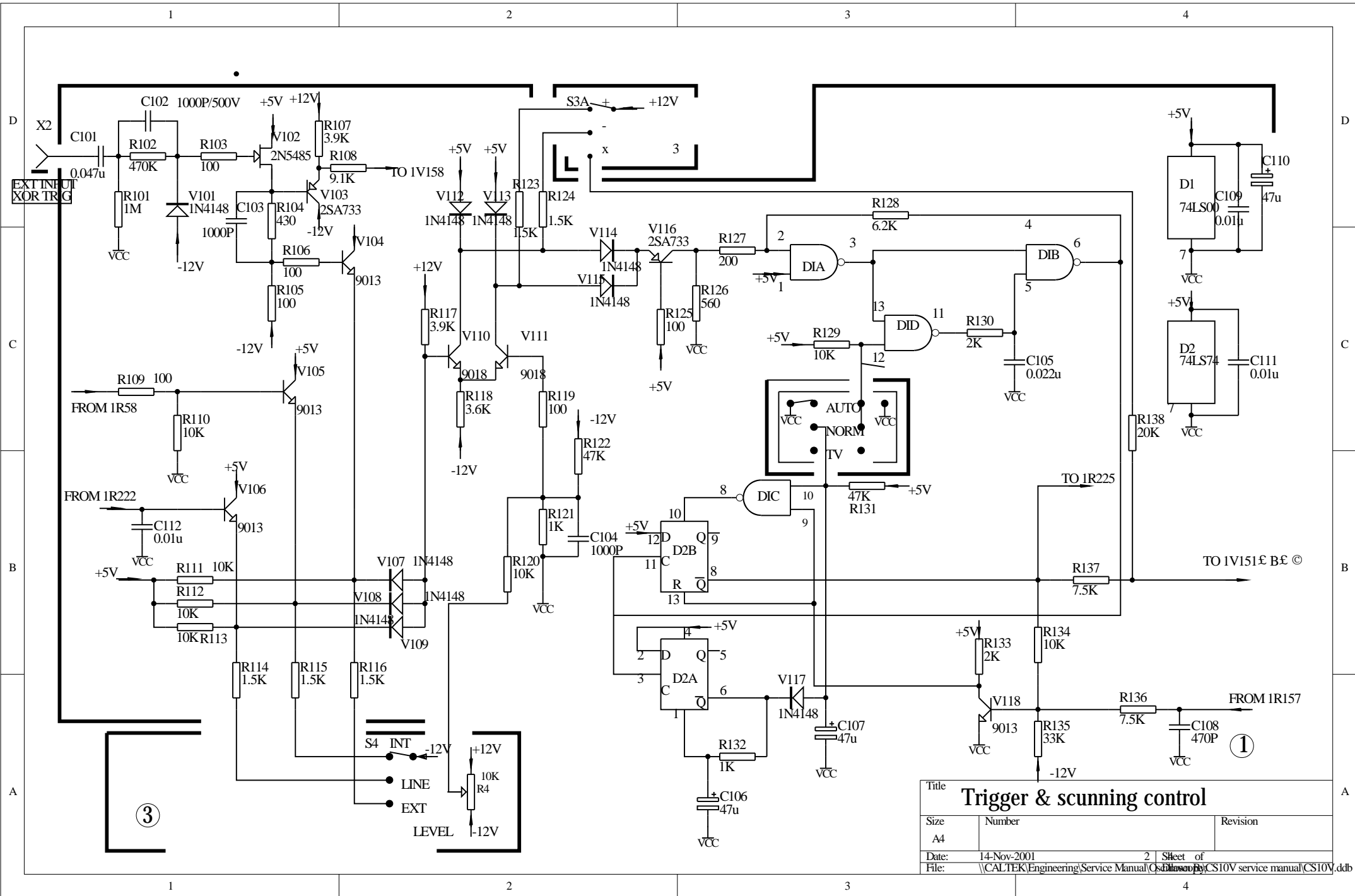


CS10V_Component layer

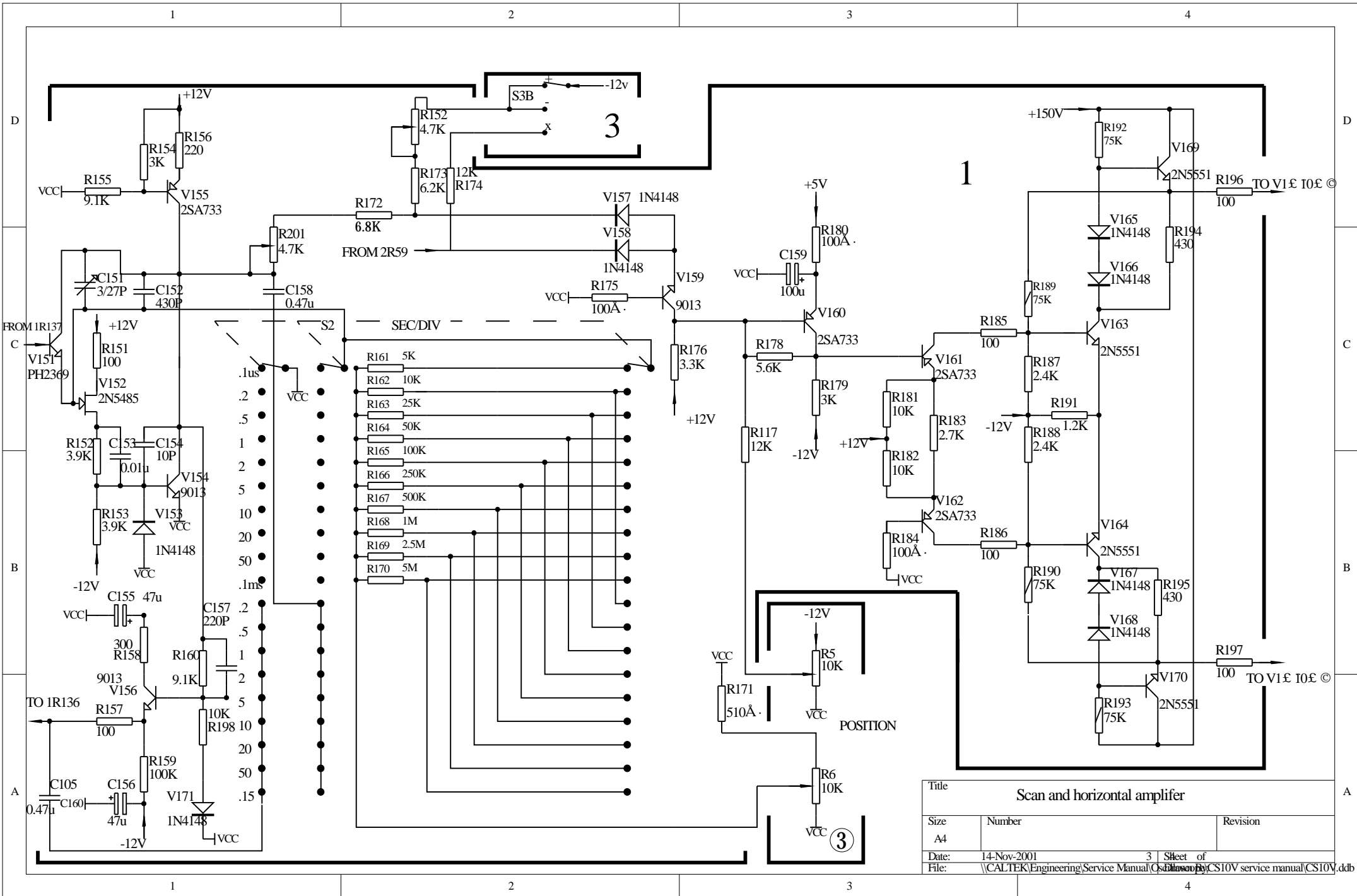




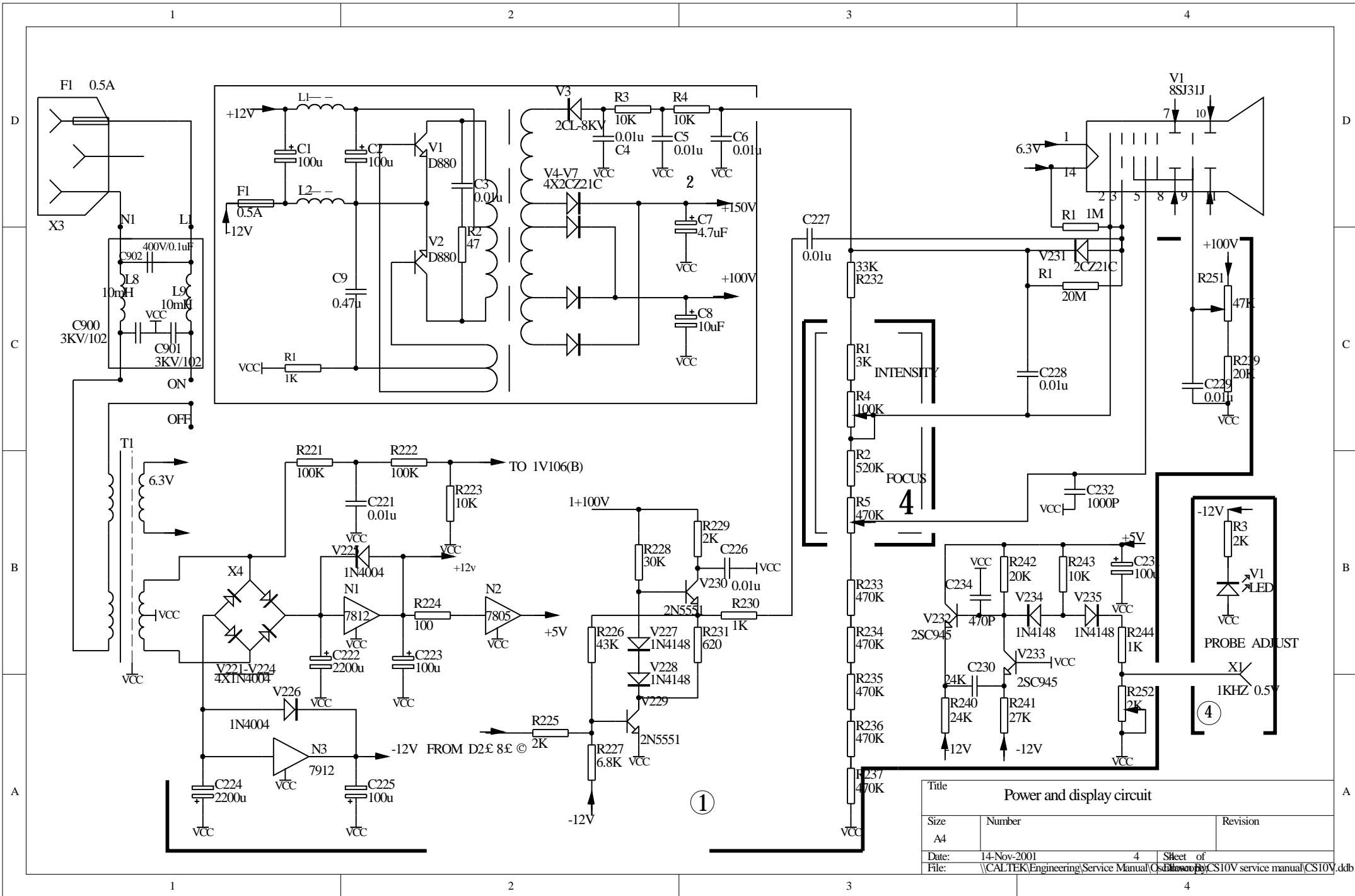
Title		
Vetrical Amplifier		
Size	Number	Revision
A4		
Date:	14-Nov-2001	1 Sheet of
File:	\\CALTEK\Engineering\Service Manual\Cs10V\CS10V service manual\CS10V.ddb	



Title		
Trigger & scanning control		
Size	Number	Revision
A4		
Date:	14-Nov-2001	2 Sheet of
File:	\\CALTEK\Engineering\Service Manual\Osborne\B&E\CS10V service manual\CS10V.ddb	



Title		
Scan and horizontal amplifier		
Size	Number	Revision
A4		
Date:	14-Nov-2001	3 Sheet of
File:	\\CALTEK\Engineering\Service Manual\CS10V\CS10V service manual\CS10V.ddb	



Title			Power and display circuit		
Size	Number	Revision			
A4					
Date:	14-Nov-2001	4	Sheet of		
File:	\\CALTEK\Engineering\Service Manual\CS10V\CS10V.ddb				